



Spare Parts Catalog

4 WG 200(555/5)

Material number: 4644.024.146

Current date: 25.03.2013

ZF Friedrichshafen AG
Hauptverwaltung
80038 Friedrichshafen
Deutschland

Telefon: +49 7541 77-0

Telefax: +49 7541 77-908000

www.zf.com

zuständiges Werk:
Passau

Notes relating to the spare parts catalog

Setup of the spare parts catalog

- Cover sheet
- Technical Cover (only in SDM print)
- Overview of figures
- Figure
- Associated parts list
- Next figure
- Associated parts list
- ...

Figure and parts list



Overview of figures

Bildtafel Figure	Sachnummer Product number	Benennung (Description)	Technische Info Technical info	Description (Benennung)	Menge Quantity	Einheit Unit
068.08.17	1316.170.001	AUSLEGER	WL	SHIFT TURRET	1	Stk
068.08.06	1316.170.031	DECKEL	WL*H-H *VM	COVER	1	Stk
068.08.14	1316.170.808	DECKEL	WL*AUSL+GEH*H-H*HF160N	COVER	1	Stk
08	1316.170.441	ANSCHLUSSTEILE	WL*NG-VORB*RG-SCHL*168N *BAJONETT	CONNECTING PARTS	1	Stk

The "gap" indicates that there is no separate graphics panel (poster) for this assembly
The parts of this assembly are shown with the same mid-section number on the figure

1 Positions and subpositions

Pos.	Sachnummer Product number	Benennung (Description)	Technische Info Technical info	Description (Benennung)	Menge Quantity	Einheit Unit
0370	1315.201.054	RUECKLAUFBOLZEN	KPL.16S151*SG*L= 79	REV.IDLER SHAFT	1	Stk
/0120	0631.329.293	SPANNSTIFT		SLOT. PIN	1	Stk

Positions marked with "/" are the individual items of a completion
For example: Position 0370 contains a centering pin with the position /0120

2 Combinations with standardized parts

Pos.	Sachnummer Product number	Benennung (Description)	Technische Info Technical info	Description (Benennung)	Menge Quantity	Einheit Unit
0630		VERSCHL.SCHR.		SCREW PLUG	1	Stk
	0636.302.067	VERSCHL.SCHR.		SCREW PLUG	1	Stk
	0634.801.249	DICHTRING	A 26 X 31	SEALING RING	1	Stk

The parts list shows the components included in the combination of standardized parts

3 Depiction of position/item number on the figure and in the parts list

01.620 - on the figure 01 relates to the assembly in which the position is included. Due to program-related reasons, it is shown on the figure.

0620 - in the parts list

Pos.	Sachnummer Product number	Benennung (Description)	Technische Info Technical info	Description (Benennung)	Menge Quantity	Einheit Unit
0620	0732.040.736	DRUCKFEDER		COMPRESSION SPRING	1	Stk

4 *-Positions

Positions marked with an * are optional i.e. inclusion in the parts list is not mandatory.
The following note is shown on the figure

je nach Stücklistenausführung
depending on spec. number
*
suivant la nomenclature
secondo la distinta base

5 Parts, dotted display

Parts with dotted display on the figure are only used for orientation of other parts



Pos.	Information	Amendment number
	KUNDE:GUANGXI LIUGONG MACHINERY	
	IDENT-NO.: WITHOUT	
	PROJEKT-NR.:35211	
	VEHICLE DATA:	
	RADLADER ZL 50 F/ZL 50D	
	VEHICLE WEIGHT: EMPTYT	
	VEHICLE WEIGHT: LOADED 17,50T	
	ENGINE: CUMMINS 6CT 8,3 C	
	ENGINE POWER: P=156 KW TO N=2200 UPM	
	ENGINE PERFORM.ACC.TO TRACTIVE EFFORT CALCUL.	
	INPUT TORQUE: T= 760 NM TO N=1500 UPM	
	TYRES: 23.5-25	
	R.DYN. 0,750 M	
	AXLE RATIO: I TOTAL= 23,50	
	V-MAX: 38,00KM	
	PERFORMANCE CALCULATION: 4644 711 044	
	VEHICLE DATA:	
	RADLADER ZL 50 F/ZL 50D	
	VEHICLE WEIGHT: EMPTYT	
	VEHICLE WEIGHT: LOADED 17,50T	
	ENGINE: SHANGHAI 6135 K-9C	
	ENGINE POWER: P=156 KW TO N=2200 UPM	
	ENGINE PERFORM.ACC.TO TRACTIVE EFFORT CALCUL.	
	INPUT TORQUE: T= 770 NM BEI N=1500 UPM	
	TYRES: 23.5-25	
	R.DYN. 0,750 M	
	AXLE RATIO: I TOTAL= 23,50	
	V-MAX: 38,00KM	
	PERFORMANCE CALCULATION: 4644 711 065	
	PRODUCT DESCRIPTION:	
	TYP: 4WG-200(555)	
	FORDING ABILITY: NO	
	RATIOS TOTAL:	



Pos.	Information	Amendment number
	FORWARD:	
	1.G=4,278 2.G=2,368 3.G=1,126 4.G=0,648	
	REVERSE:	
	1.G=4,278 2.G=2,368 3.G=1,126	
	HIGH GEARING: INPUT	
	INPUT:	
	DIRECT FLANGE ATTACHMENT	
	SAE-CONNECTION: 2	
	OUTPUT:	
	FLANGE: LEFT D=150*8X12,1X35	
	FLANGE: RIGHT D=180*8XM14X1,5X45	
	POWER TAKE-OFF(P.T.O):	
	COAX.ENGINE DRIV:FLANGE SAE-C 2/4 HOLE	
	COAX.ENGINE DRIV:SPL.SAE-C/12/24 DP/14T	
	LATERAL/ENGINE DRIVEN:FL.SAE C/2/4-HOLE	
	LATERAL/ENGINE DRIVEN:SP.SAE C/12/24 DP 14T	
	REVERSING GEAR DRIVEN: NO	
	TURB.DRIVEN NO	
	CONTR.MECH.: NO	
	GEAR SELECTION:	
	CODE: G	
	ELECTRICAL	
	MOUNTING POSIT.: LATERAL AT THE GEARBOX ABOVE	
	VOLTAGE: 24 VOLT	
	OPERATING PRES.: 16+2 BAR	
	PRESSURE CONTROLL:2,5/5-13 BAR NO.24	
	CONNENCTION WIRING:CANNON SCREW CONNECTION	
	OIL INLET TO CONTROL:GEAR BOX	
	REPLENISHING OIL:WITH	
	CONVERTER LOCK-UP CONTROL: WITHOUT	
	DOUBLE PRESSURE CONTROL VALVE: WITH/M4	
	PRESS.CUT-OFF: YES	
	SETTING SPECIFICATION: 4644 700 681 IN 467	



Pos.	Information	Amendment number
	WARNING SWITCH F. OIL PRESSURE: WITHOUT	
	WARNING SWITCH F.OIL TEMPERATURE:WIHOUT	
	GEAR SELECTOR:	
	TYPE: DW 2 WITH EST-17 T	
	STEER.COL.: LEFT	
	REVERS.UP:TO SEED DEPEND.	
	WIRING: WITH	
	INDUCTIVE SENSOR, OUTPUT SIDE: KOSTAL M24X1	
	PERKING BRAKE: DRUM-BRAKE	
	SPEEDOMETER: WITHOUT	
	OIL DIPSTICK: CONVERTER SIDE	
	AXLE DISCONNECT: NO	
	ZF-FILTER: INTEGRATED	
	T-CONVERTER:	
	MARKING: W340/34 H 029	
	CHARACTERISTICS: 02 G 068 29 L.F.	
	START.TORQUE RAT:2,55	
	STATOR FREEWHEEL:WITHOUT	
	BREAK FREEWHEEL: WITHOUT	
	INERTIA TORQUE: J=0,15 KGM2	
	LOCK-UP CLUTCH: WITHOUT	
	GROUND DRIV.PUMP: WITHOUT	
	DRAWINGS:	
	SCHNITT: 4644 024 146(R)	
	EINBAU: 4644 624 146(0)	
	ENGINE CONN.:4644 500 382/591	
	TRANSM.DIAGR. SEE INSTALL.DRAWING	
	OIL-DIAGR: 4644 700 684 IN 683	
	OIL PIPE: SEE INSTALL.DRAWING	
	TORQUE CONV:	
	ACCEPTANCE PROTOCOL:	
	CALCULATIONS:	
	TEST SPECIFICATION	



Pos.	Information	Amendment number
	INST.SPECIF.:4644 700 709 ()	
	DRAWING FOR ELECTR.PARTS	
	FAHRSCHALTER:6006 630 026(1)EBZ	
	CONTROL UNIT:6009 654 001	
	STROMLAUFPL.:6006 700 582() FS	
	WIRING DIAGRAM:6029 700 581	
	CONNECTION DIAGRAM: 6019 700 582	
	OIL CAPACITY:	
	PHOSHATESTER: NO	
	MAIN TRANSMISSION: CA. 28,00L	
	OIL FILLING: NO	
	OIL GRADE:SPECIFICATION TE ML 03 / TRANSMISSION	
	WEIGHT: 463 KG	
	COLOR: OXIDROT RAL 3009	
	PACKING:	
	LOCATION OF CABIN:	
	MISCELLANEOUS/REMARKS:	
	ENGINE CONNECT 4644 500 383 CUMMINS 6CT 8.3 C	
	ENGINE CONNECT 4644 500 591 SHANGHAI 6135 K-9C	
	FOR SEP. ORDER ELECTRIC-VERSION	
	WITH EST-25 AND ERGO-II ACC. TO 4644 183 068	
	*	

Assembly group overview

Material number: 4644.024.146

4 WG 200(555/5) /



Page 1 from 2

Graphics	Pos.	Material number	Name	Quantity	Amend. no.	Techn. Info.
464413026300	270	4644.130.263	ENGINE CONNECTION	1		
416603407000	500	4166.034.070	CONVERTER	1		
464410213400	30	4644.102.134	INPUT	1		
464410124900	10	4644.101.249	GEARBOX HOUSING	1		
464410149100	20	4644.101.491	GEARBOX HOUSING	1		
464410823200	150	4644.108.232	LAYSHAFT	1		
464415110350	350	4644.151.103	COUPLING	1		
464415144400	355	4644.151.444	COUPLING	1		
464415213510	360	4644.152.135	COUPLING	1		
464415253700	365	4644.152.537	COUPLING	1		
464415312150	370	4644.153.121	COUPLING	1		
464415350900	375	4644.153.509	COUPLING	1		
464410310700	50	4644.103.107	OUTPUT	1		
464410346700	60	4644.103.467	OUTPUT	1		
464410904001	170	4644.109.040	PARKING BRAKE	1		
464410943800	180	4644.109.438	PARKING BRAKE	1		

Assembly group overview

Material number: 4644.024.146

4 WG 200(555/5) /



Page 2 from 2

Graphics	Pos.	Material number	Name	Quantity	Amend. no.	Techn. Info.
464415408000	380	4644.154.080	POWER TAKE-OFF	1		
464415447600	390	4644.154.476	POWER TAKE-OFF	1		
464415503100	400	4644.155.031	POWER TAKE-OFF	1		
464415542000	410	4644.155.420	POWER TAKE-OFF	1		
464410632500	110	4644.106.325	GEAR SHIFT SYSTEM	1		
464415934700	120	4644.159.347	GEAR SHIFT SYSTEM	1		
464413800800	330	4644.138.015	FILTER	1		
464412021300	190	4644.120.213	PRESSURE REGULATOR	1		
464412501610	250	4644.125.016	INDTRANSMITTER	1		
464412547900	260	4644.125.479	INDTRANSMITTER	1		
464413702200	310	4644.137.022	EMERGENCY STEERING PUMP	1		
464413107700	290	4644.131.077	FILLER NECK	1		
464413141900	300	4644.131.419	FILLER NECK	1		
464412115030	210	4644.121.150	OIL PIPE	1		
464219907600	490	4642.199.379	LOOSE PARTS	1		

Plant

Page 1 from 1

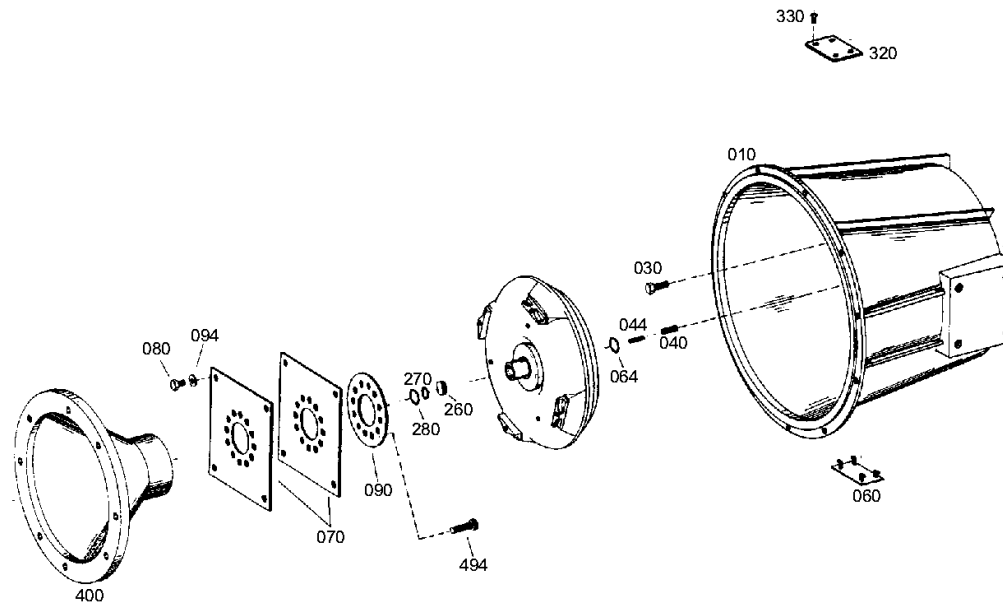
Material number: 4644.024.146

Plate: 464413026300

Material-assembly-group-no: 4644.130.263

4 WG 200(555/5) /

ENGINE CONNECTION



Parts list

Page 1 from 1

Material number: 4644.024.146

4 WG 200(555/5) /

Plate: 464413026300

Material-assembly-group-no: 4644.130.263



Pos.	Material number	Customer material	Name	Quantity	ME	Amend. no.	Techn. Info.	Weight	Rep kit	Alternative material
10	4644.330.385		CONNHOUSING	1				24,500		
30	0636.010.460	1000000343	HEXAGON BOLT	14			M10X50	40		
40	0631.329.100	A1360132900	SLOTPIN	2			10X40	14,200		
44	0631.329.072	0148102997	SLOTPIN	2			6X40	4,700		
60	4139.301.485	A9314430185	COVER	1			ENTHALT.IN 4139 301 486(3)	15		
64	0634.306.287	A4360230687	O-RING	1			70X3	0,002		
70	4644.330.239	A4464233039	DIAPHRAGM	2				440		
80	0636.102.411		HEXAGON BOLT	4			M12X18	0,000		
90	4644.330.228	A4464233028	WASHER	1				165		
94	0630.001.049	1000000177	WASHER	4				6		
260	4166.330.123	1000001942	WASHER	1				0,038		
270	0634.313.260	1000000298	O-RING	1			25X3	0,002		
280	0630.502.015	1000000213	RETAINING RING	1			30X1,2	1,600		
320	4644.330.242	A4464233042	COVER	1				260		
330	0636.015.169	A6360101569	HEXAGON BOLT	4			M10X12	0,010		
400	4644.330.222	A4464233022	INTERMRING	1				17,500		
494	0636.900.127	A6360190027	CAP SCREW	12			M12X30	32,900		

Plant

Page 1 from 1

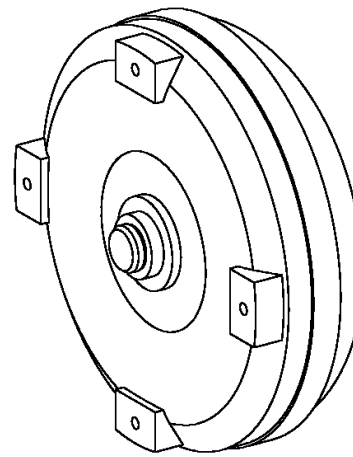
Material number: 4644.024.146

Plate: 416603407000

Material-assembly-group-no: 4166.034.070

4 WG 200(555/5) /

CONVERTER



010

Parts list

Page 1 from 1

Material number: 4644.024.146

4 WG 200(555/5) /

Plate: 416603407000

Material-assembly-group-no: 4166.034.070



Pos.	Material number	Customer material	Name	Quantity	ME	Amend. no.	Techn. Info.	Weight	Rep kit	Alternative material
10	4168.034.034		CONVERTER	1				25,500		

Plant

Page 1 from 1

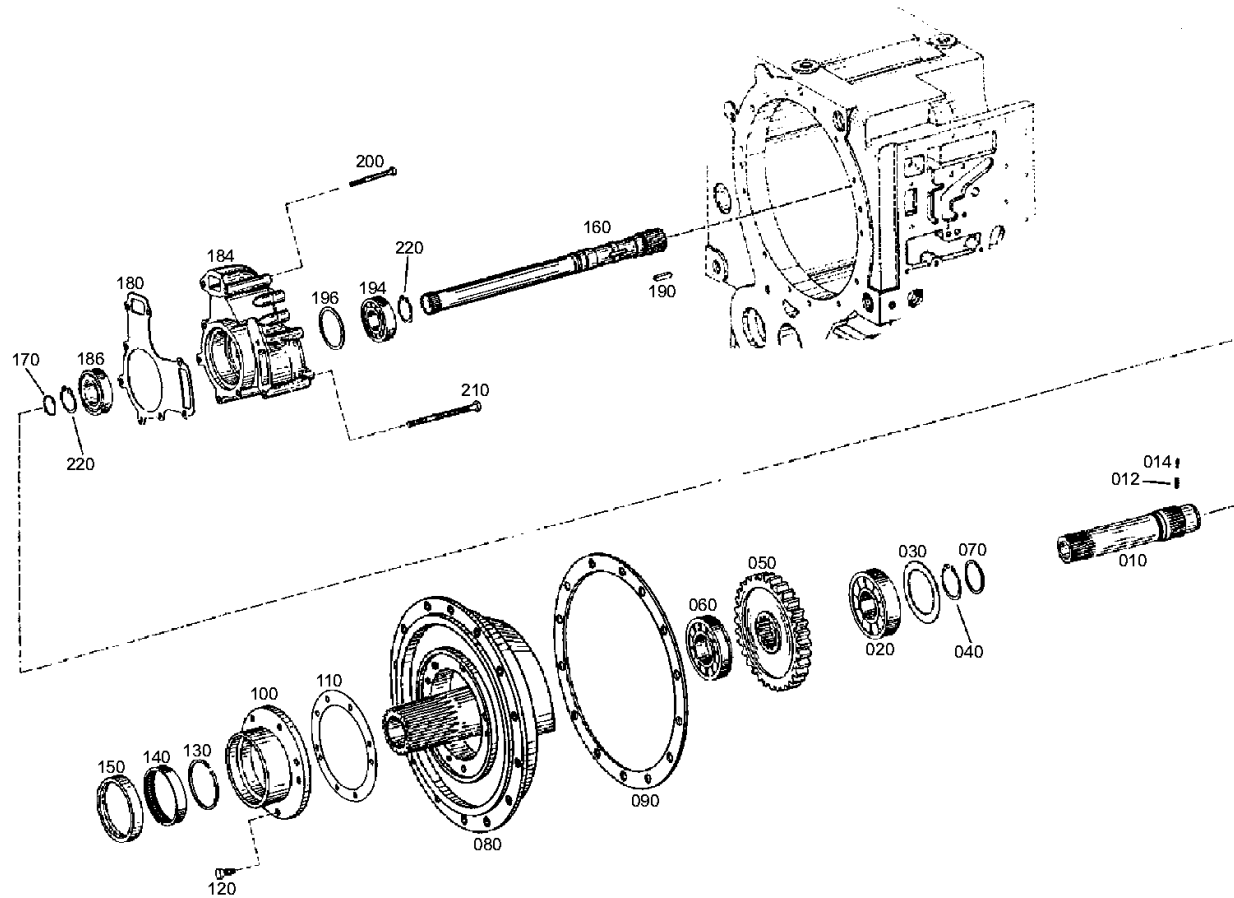
Material number: 4644.024.146

Plate: 464410213400

Material-assembly-group-no: 4644.102.134

4 WG 200(555/5) /

INPUT



Parts list

Page 1 from 2

Material number: 4644.024.146

4 WG 200(555/5) /

Plate: 464410213400

Material-assembly-group-no: 4644.102.134



Pos.	Material number	Customer material	Name	Quantity	ME	Amend. no.	Techn. Info.	Weight	Rep kit	Alternative material
10	4644.302.188	1000002138	INPUT SHAFT	1				1,100		
12	0631.329.267	1000000247	SLOTPIN	1			2,5X5	1		
14	0631.329.124	1000000245	SLOTPIN	1			1,5X5	0,001		
20	0750.116.139	51500750116139	BALL BEARING	1			40,000X90,000X23,000	0,630		
30	---		SHIM	1				0,000		
---	4607.302.033	7011579	SHIM	1			S=0,3	5		
---	4607.302.034	7011580	SHIM	1			S=0,5	9		
---	4607.302.014	1000002063	SHIM	1			S=0,6	11		
---	4607.302.013	1000002062	SHIM	1			S=0,7	13		
---	4607.302.012	1000002061	SHIM	1			S=0,8	14		
---	4607.302.011	1000002060	SHIM	1			S=0,9	16		
---	4607.302.010	1000002059	SHIM	1			S=1,0	18		
---	4607.302.009	1000002058	SHIM	1			S=1,1	19		
---	4607.302.008	1000002057	SHIM	1			S=1,2	21		
---	4607.302.007	1000002056	SHIM	1				23		
---	4607.302.006	7011570	SHIM	1			S=1,4	25		
40	0630.501.031	9-48-104	RETAINING RING	1			40X1,75	4		
50	4644.302.206	187230A1	INPUT GEAR	1			Z=52	2,200		
60	0750.118.200	00640764	CYROLLBEARING	1			45,0X85,0X19,0	445		
70	0734.317.252	00560856	PISTON RING	1				0,004		
80	4644.302.250	237370A1	OIL FEEDFLANGE	1				15,500		
90	4644.302.211	79106773	GASKET	1				0,008		
100	4642.301.136	1000002076	BEARING COVER	1				2,300		
110	4644.301.262	00560858	GASKET	1				3		
120	0636.015.092	1000000351	HEXAGON BOLT	8			M8X28	15		
130	0734.401.078	00560832	SEALING RING	1			70X65,4X3,5	10		
140	0735.298.027	00594536	NEEDLE SLEEVE	1			75,000X83,000X16,000	0,083		
150	0750.111.231	00560830	SHAFT SEAL	1			75X100X10	54,900		
160	4644.311.239	292167A1	OUTPUT SHAFT	1				1,800		
170	0634.402.025	00560876	R-RING	1			30X2	2		
180	4644.301.265	00560814	GASKET	1				4,600		
184	0750.132.143	183468A1	GEAR PUMP	1				9		
186	0750.116.104	00640765	BALL BEARING	1			30,000X62,000X16,000	193		
190	0631.501.052	292169A1	FITTING KEY	1			6X4X28	5		

Parts list

Page 2 from 2

Material number: 4644.024.146

4 WG 200(555/5) /

Plate: 464410213400

Material-assembly-group-no: 4644.102.134



Pos.	Material number	Customer material	Name	Quantity	ME	Amend. no.	Techn. Info.	Weight	Rep kit	Alternative material
194	0750.116.104	00640765	BALL BEARING	1			30,000X62,000X16,000	193		
196	---		WASHER	1				0,000		
---	0730.001.591	E136102	WASHER	1			A=1,00	5		
---	0730.001.592	00655259	WASHER	1			A=0,90	5		
---	0730.001.593	E136104	SHIM	1			S=0,8	5		
---	0730.001.594	E136105	SHIM	1			S=0,7	5		
---	0730.001.595	E136106	SHIM	1			S=0,6	5		
---	0730.001.596	E136107	SHIM	1			S=0,5	5		
---	0730.001.597	E136108	SHIM	1			S=0,4	5		
---	0730.001.598	E136109	SHIM	1			S=0,3	5		
---	0730.001.599	E136110	SHIM	1			S=0,2	5		
---	0730.001.600	E136111	SHIM	1			S=0,1	5		
200	0636.010.111	1000000333	HEXAGON BOLT	4			M8X85	0,030		
210	0636.010.123	A6360101023	HEXAGON BOLT	4			M8X115	0,046		
220	0630.501.024	1000000205	RETAINING RING	2			30X1,5	3		

Plant

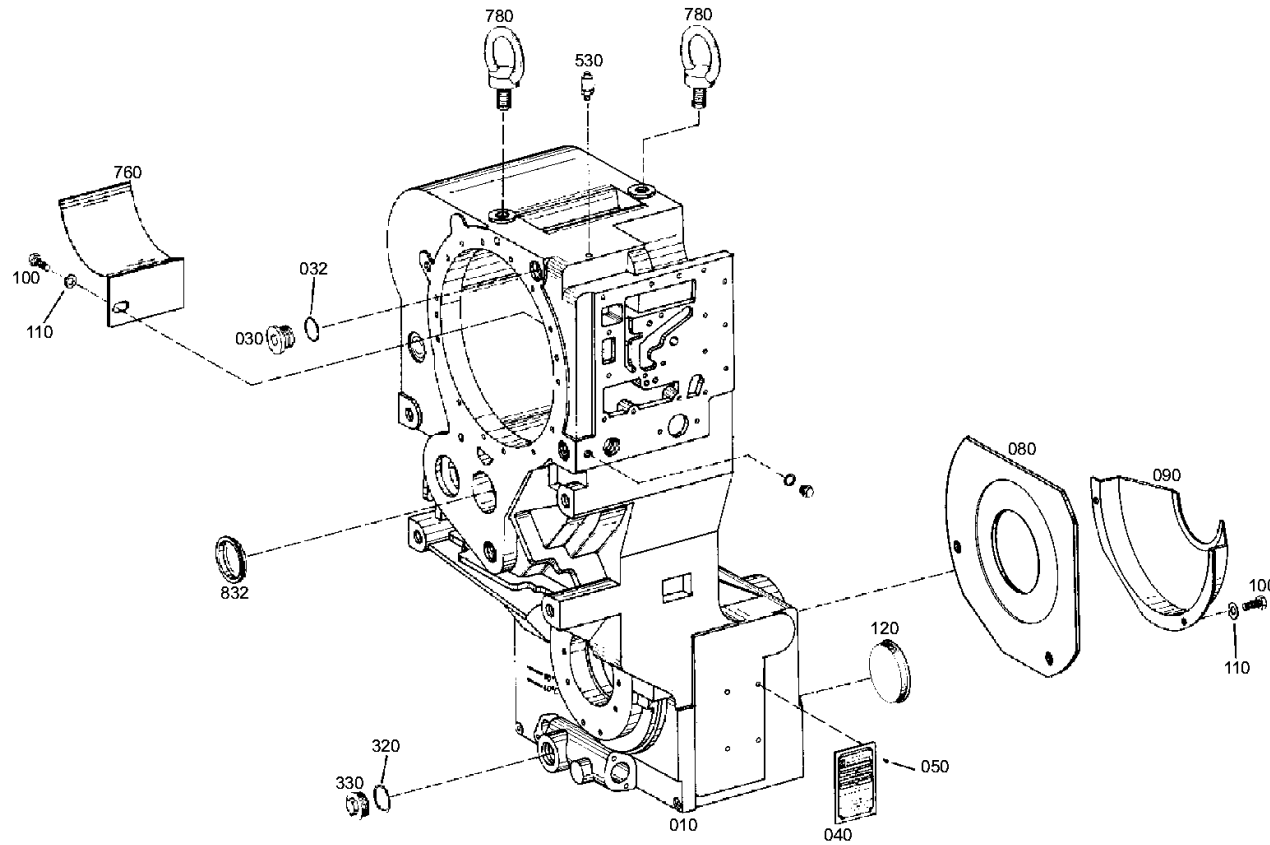
Page 1 from 1

Material number: 4644.024.146

Plate: 464410124900

Material-assembly-group-no: 4644.101.249

4 WG 200(555/5) /
GEARBOX HOUSING



Parts list

Page 1 from 1

Material number: 4644.024.146

4 WG 200(555/5) /

Plate: 464410124900

Material-assembly-group-no: 4644.101.249



Pos.	Material number	Customer material	Name	Quantity	ME	Amend. no.	Techn. Info.	Weight	Rep kit	Alternative material
10	4644.301.402		GEARBOX HOUSING	1				150		
30	0636.302.027	104007077	SCREW PLUG	1			M30X1,5	90		
32	0634.303.283	A52149	O-RING	1			27X2,5	1		
40	0730.365.289		TYPE PLATE	1			ZF-Standard/Liuzhou	0,010		
50	0666.690.171		ADHESIVE	1				1,370		
80	4644.301.298	1000002136	COVER PLATE	1				1,050		
90	4644.301.192	1000002132	COVER PLATE	1				420		
100	0636.015.278	1000000359	HEXAGON BOLT	3			M8X16	10		
110	0630.001.012	1000000173	WASHER	3				1,500		
120	4466.351.081	7014790	SEALING CAP	2				0,065		
320	0634.306.323		O-RING	1			35X2,5	2		
330	0636.305.026	1000000407	SCREW PLUG	1			M38X1,5	115		
530	0750.131.027	50359078	BREATHER	1				10		
760	4644.301.279	1000002135	SCREEN SHEET	1				50		
780	0636.804.003	1000000411	LIFTEYE BOLT	2			M20	411		
832	4644.301.088	1000002130	SEALING CAP	1				90		

Plant

Page 1 from 1

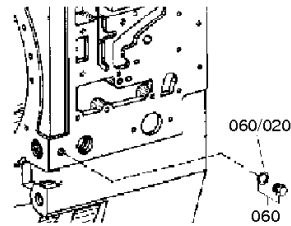
Material number: 4644.024.146

Plate: 464410149100

Material-assembly-group-no: 4644.101.491

4 WG 200(555/5) /

GEARBOX HOUSING



Parts list

Page 1 from 1

Material number: 4644.024.146

4 WG 200(555/5) /

Plate: 464410149100

Material-assembly-group-no: 4644.101.491



Pos.	Material number	Customer material	Name	Quantity	ME	Amend. no.	Techn. Info.	Weight	Rep kit	Alternative material
60	---		SCREW PLUG	1				25		
/20	0634.306.522	104006806	O-RING	1			11X2	0,100		

Plant

Page 1 from 1

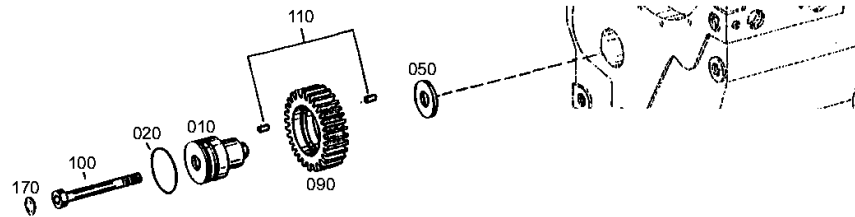
Material number: 4644.024.146

Plate: 464410823200

Material-assembly-group-no: 4644.108.232

4 WG 200(555/5) /

LAYSHAFT



Parts list

Page 1 from 1

Material number: 4644.024.146

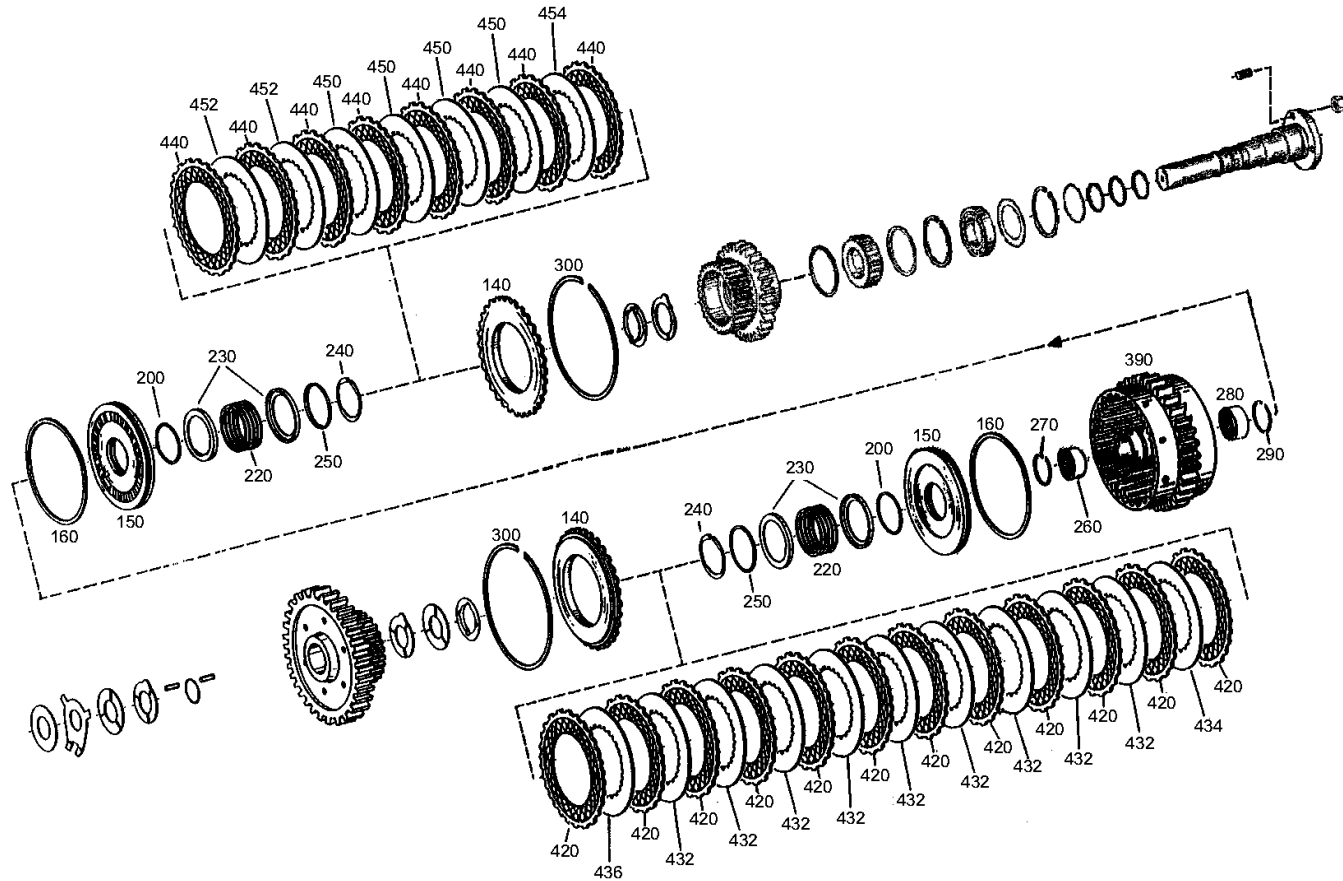
4 WG 200(555/5) /

Plate: 464410823200

Material-assembly-group-no: 4644.108.232



Pos.	Material number	Customer material	Name	Quantity	ME	Amend. no.	Techn. Info.	Weight	Rep kit	Alternative material
10	4644.308.611	106869A1	AXLE	1				1,090		
20	0634.313.529	1000000300	O-RING	1			57X3	2		
50	4644.308.610	106870A1	THRUST WASHER	1				35		
90	4644.308.614	187233A1	IDLER GEAR	1			Z=36	2		
100	0636.104.146	1000000391	CAP SCREW	1			M12X100	90		
110	0750.119.101	S300458	ROLLER SET	1			35X55X34	0,280		
170	0630.362.024	1000000203	SEALING DISC	1				8		



Parts list

Page 1 from 2

Material number: 4644.024.146

4 WG 200(555/5) /

Plate: 464415110350

Material-assembly-group-no: 4644.151.103



Pos.	Material number	Customer material	Name	Quantity	ME	Amend. no.	Techn. Info.	Weight	Rep kit	Alternative material
140	4644.308.071	1000002197	END SHIM	2				1,050		
150	4644.351.070	1000002226	PISTON	2				0,520		
160	0750.112.139	00560804	PROFILE SEALING RING	2			150X161,4X2,5	0,010		
200	0750.112.140	00560806	PROFILE SEALING RING	2			60X71,4X2,5	4		
220	0732.041.183	1000000890	COMPRSPRING	2				157		
230	4642.308.083	1000002083	GUIDE RING	4				10		
240	0630.531.346	00560874	V-RING	2				12		
250	4642.308.084	1000002084	GUIDE RING	2				4,500		
260	0635.303.203	00560868	NEEDLE SLEEVE	1			35X42X26	66		
270	0730.513.610		SNAP RING	1				5		
280	0635.303.205	00640753	NEEDLE SLEEVE	1			40X47X26	0,075		
290	0730.513.611	242952A1	SNAP RING	1				5		
300	---		SNAP RING	2			H= 2,10- 2,50(ABSTUFUNG:0,05MM)	0,000		
---	0730.513.181	1000000884	SNAP RING	2			A=2,50 IN 0730 513 432(2)	40		
---	0730.513.437		SNAP RING	2			A=2,45 IN 0730 513 432(2)	0,041		
---	0730.513.436	8900126625	SNAP RING	2			A=2,40 IN 0730 513 432(2)	40		
---	0730.513.435		SNAP RING	2			A=2,35 IN 0730 513 432(2)	40		
---	0730.513.434	185413A1	SNAP RING	2			A=2,30 IN 0730 513 432(2)	0,006		
---	0730.513.433		SNAP RING	2			A=2,25 IN 0730 513 432(2)	40		
---	0730.513.459	185415A1	SNAP RING	2			A=2,20 IN 0730 513 432(2)	35,900		
---	0730.513.458		SNAP RING	2			A=2,15 IN 0730 513 432(2)	35		
---	0730.513.457	185416A1	SNAP RING	2			A=2,10 IN 0730 513 432(2)	35		
390	4644.251.046		DISC CARRIER	1			VERSION II	8,200		
420	0501.309.330	E135005	OCLUTCH DISC	12				180		

Parts list

Page 2 from 2

Material number: 4644.024.146

4 WG 200(555/5) /

Plate: 464415110350

Material-assembly-group-no: 4644.151.103



Pos.	Material number	Customer material	Name	Quantity	ME	Amend. no.	Techn. Info.	Weight	Rep kit	Alternative material
432	4644.308.329	1000002200	ICLUTCH DISC	9				215		
434	4644.308.330	1000002201	ICLUTCH DISC	1				0,180		
436	---		ICLUTCH DISC	1				0,000		
---	4644.308.329	1000002200	ICLUTCH DISC	1				215		
---	4644.308.330	1000002201	ICLUTCH DISC	1				0,180		
440	0501.309.330	E135005	OCLUTCH DISC	8				180		
450	4644.308.329	1000002200	ICLUTCH DISC	4				215		
452	4644.308.330	1000002201	ICLUTCH DISC	2				0,180		
454	---		ICLUTCH DISC	1				0,000		
---	4644.308.329	1000002200	ICLUTCH DISC	1				215		
---	4644.308.330	1000002201	ICLUTCH DISC	1				0,180		

Plant

Page 1 from 1

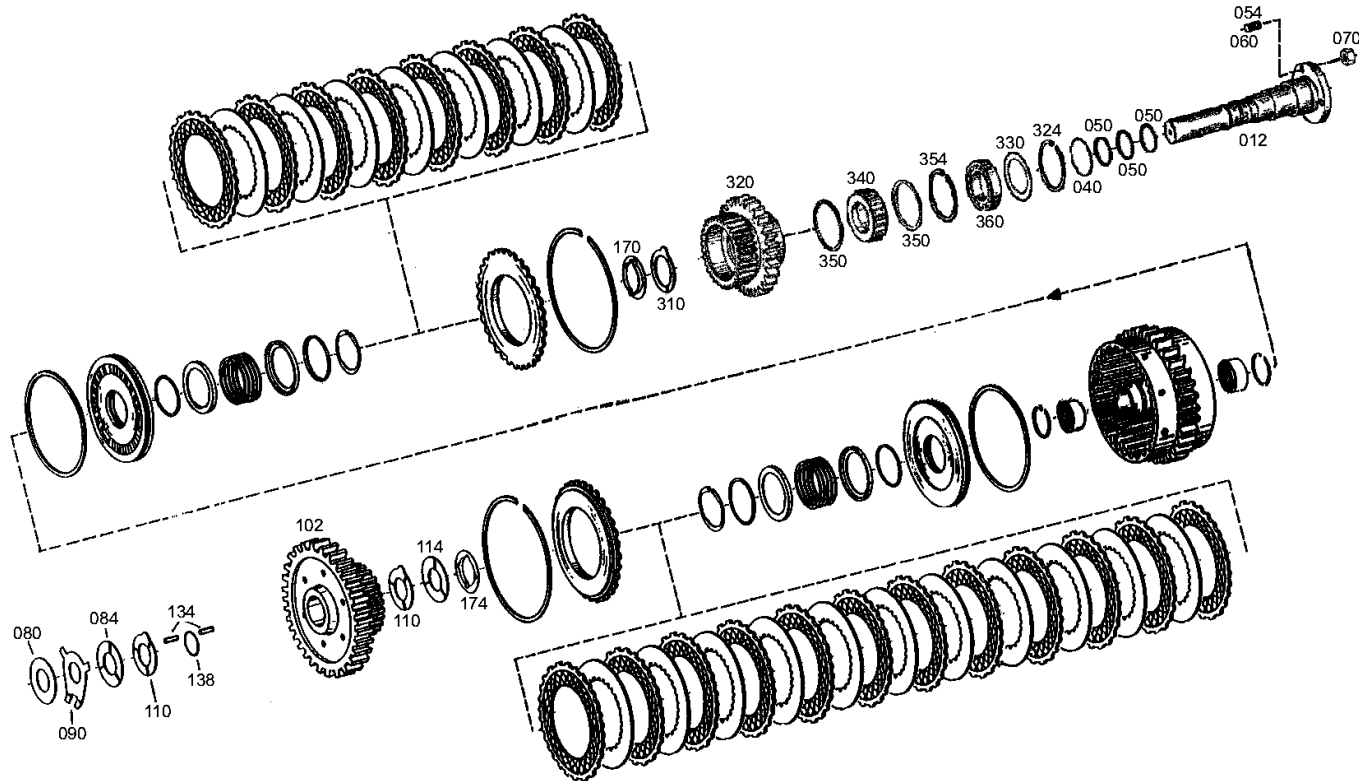
Material number: 4644.024.146

Plate: 464415144400

Material-assembly-group-no: 4644.151.444

4 WG 200(555/5) /

COUPLING



Parts list

Page 1 from 2

Material number: 4644.024.146

4 WG 200(555/5) /

Plate: 464415144400

Material-assembly-group-no: 4644.151.444



Pos.	Material number	Customer material	Name	Quantity	ME	Amend. no.	Techn. Info.	Weight	Rep kit	Alternative material
12	4644.351.076	185213A1	AXLE	1				3		
40	0634.313.536	00640755	O-RING	1			49X3	1		
50	0734.401.106	00560834	PISTON RING	3			38X2,0	2		
54	0636.610.026		STUD	1			M8X30	12,800		
60	0636.610.014	1000000410	STUD	1			M8X18	0,009		
70	0637.006.018	33234	HEXAGON NUT	2			M8	4,700		
80	---		SHIM	1				0,500		
---	0730.003.501	7622721	SHIM	1			35X70X0,4	0,009		
---	0730.003.502	1000000476	SHIM	1			35X70X0,6	0,013		
---	0730.003.503	1000000477	SHIM	1			35X70X0,8	18		
---	0730.003.504	7622724	SHIM	1			35X70X1	22		
---	0730.003.505	1000000479	SHIM	1			35X70X1,2	27		
---	0730.108.157	199081A1	SHIM	1		K02058/9410	70X35,1X1,4	35		
---	0730.108.158		SHIM	1		K02058/9410	70X35,1X1,6	40		
---	0730.108.159	199083A1	SHIM	1		K02058/9410	70X35,1X1,8	0,040		
---	0730.108.160	199084A1	SHIM	1		K02058/9410	70X35,1X2	45		
---	0730.108.161	199085A1	SHIM	1		K02058/9410	70X35,1X2,2	50		
---	0730.108.162	199086A1	SHIM	1		K02058/9410	S=2,4	55		
---	0730.108.163	199087A1	SHIM	1		K02058/9410	70X35,1X2,6	55		
---	0730.108.164	199088A1	SHIM	1		K02058/9410	S=2,8	60		
84	0730.150.759	183515A1	THRUST WASHER	1				6		
90	4644.303.529	50363661	THRUST WASHER	1				0,023		
102	4644.308.625	237374A1	SPUR GEAR	1				6,300		
110	4644.308.265	E135267	THRUST WASHER	2				18		
114	0730.150.773	183547A1	THRUST WASHER	1				4,300		
134	0750.119.100	E136114	ROLLER SET	1			35X55X37	0,327		
138	4644.308.266	E135268	WASHER	1				3		
170	4644.351.094	75128395	THRUST PLATE	1				35		
174	4642.308.555	252366A1	THRUST PLATE	1				45		
310	0730.150.779	00655267	THRUST WASHER	1			A=2,10 IN 0730 150 455(2)	6		
320	4644.351.032	A4464035132	SPUR GEAR	1			Z=31	3,183		
324	0630.502.037	1000000215	RETAINING RING	1			75X2,5	20		
330	---		SHIM RING	1			H= 0,30- 1,60	0,000		

Parts list

Page 2 from 2

Material number: 4644.024.146

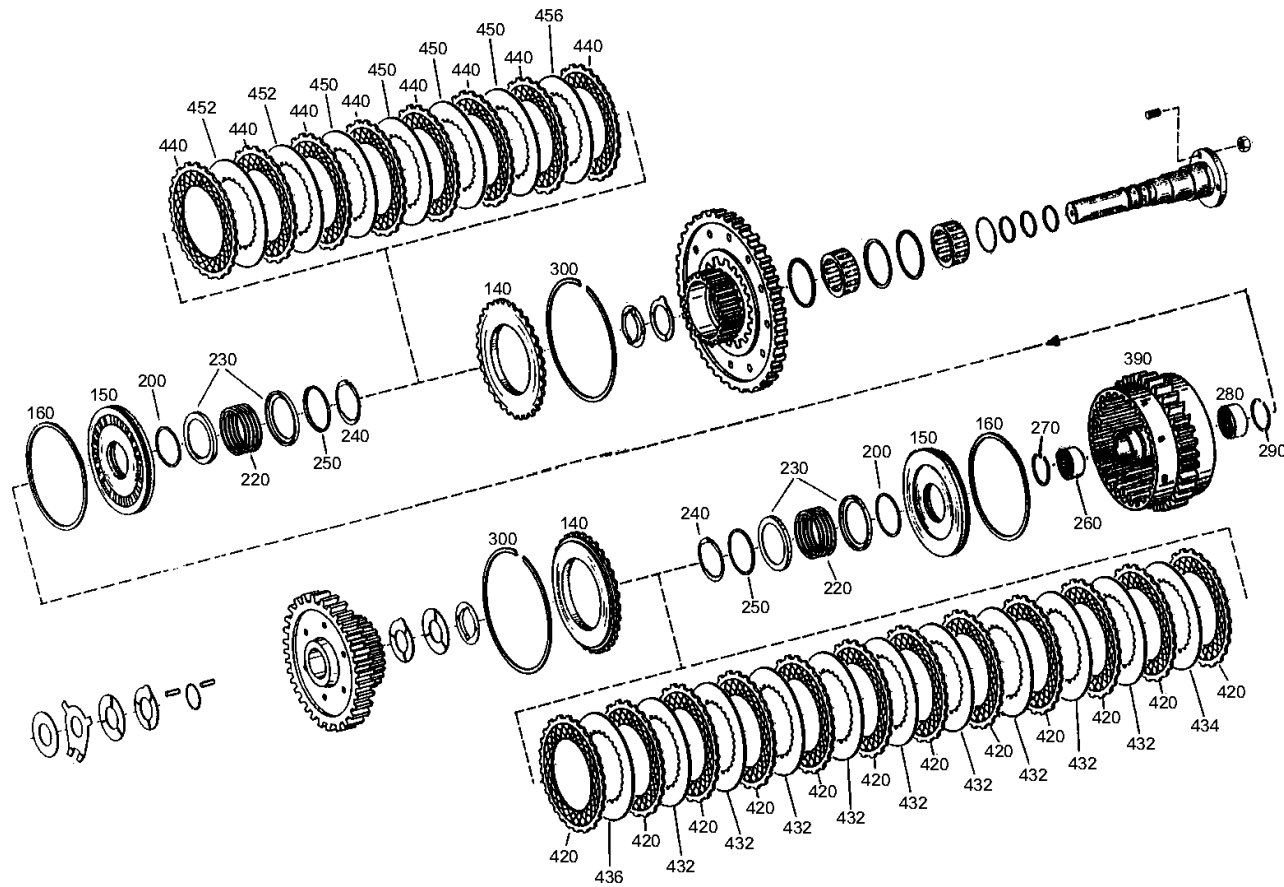
4 WG 200(555/5) /

Plate: 464415144400

Material-assembly-group-no: 4644.151.444



Pos.	Material number	Customer material	Name	Quantity	ME	Amend. no.	Techn. Info.	Weight	Rep kit	Alternative material
---	0630.004.233	1000000189	SHIM RING	1			60X75X1,6	20		
---	0630.004.232	1.114-00221	SHIM RING	1			60X75X1,5	17		
---	0630.004.246	1.114-00220	SHIM RING	1			60X75X1,2	20		
---	0630.000.054	1000000166	SHIM RING	1			60X75X1	12		
---	0630.004.364	1000000198	SHIM RING	1			60X75X0,9	11		
---	0630.000.055	1000000167	SHIM RING	1			60X75X0,5	6		
---	0630.004.168	1000000187	SHIM RING	1			60X75X0,3	0,003		
340	0735.358.132	E135148	ROLLER CAGE	1			45X75X28	0,409		
350	0501.308.830	E135002	ANGLE RING	2				10		
354	0630.502.037	1000000215	RETAINING RING	1			75X2,5	20		
360	0750.116.100	00640757	BALL BEARING	1			45,0X75,0X16,0	289		



Parts list

Page 1 from 2

Material number: 4644.024.146

4 WG 200(555/5) /

Plate: 464415213510

Material-assembly-group-no: 4644.152.135



Pos.	Material number	Customer material	Name	Quantity	ME	Amend. no.	Techn. Info.	Weight	Rep kit	Alternative material
140	4644.308.071	1000002197	END SHIM	2				1,050		
150	4644.351.070	1000002226	PISTON	2				0,520		
160	0750.112.139	00560804	PROFILE SEALING RING	2			150X161,4X2,5	0,010		
200	0750.112.140	00560806	PROFILE SEALING RING	2			60X71,4X2,5	4		
220	0732.041.183	1000000890	COMPRSPRING	2				157		
230	4642.308.083	1000002083	GUIDE RING	4				10		
240	0630.531.346	00560874	V-RING	2				12		
250	4642.308.084	1000002084	GUIDE RING	2				4,500		
260	0635.303.203	00560868	NEEDLE SLEEVE	1			35X42X26	66		
270	0730.513.610		SNAP RING	1				5		
280	0635.303.205	00640753	NEEDLE SLEEVE	1			40X47X26	0,075		
290	0730.513.611	242952A1	SNAP RING	1				5		
300	---		SNAP RING	2			H= 2,10- 2,50(ABSTUFUNG:0,05MM)	0,000		
---	0730.513.181	1000000884	SNAP RING	2			A=2,50 IN 0730 513 432(2)	40		
---	0730.513.437		SNAP RING	2			A=2,45 IN 0730 513 432(2)	0,041		
---	0730.513.436	8900126625	SNAP RING	2			A=2,40 IN 0730 513 432(2)	40		
---	0730.513.435		SNAP RING	2			A=2,35 IN 0730 513 432(2)	40		
---	0730.513.434	185413A1	SNAP RING	2			A=2,30 IN 0730 513 432(2)	0,006		
---	0730.513.433		SNAP RING	2			A=2,25 IN 0730 513 432(2)	40		
---	0730.513.459	185415A1	SNAP RING	2			A=2,20 IN 0730 513 432(2)	35,900		
---	0730.513.458		SNAP RING	2			A=2,15 IN 0730 513 432(2)	35		
---	0730.513.457	185416A1	SNAP RING	2			A=2,10 IN 0730 513 432(2)	35		
390	4644.252.098		DISC CARRIER	1			VERSION II	8,200		
420	0501.309.330	E135005	OCLUTCH DISC	12				180		

Parts list

Page 2 from 2

Material number: 4644.024.146

4 WG 200(555/5) /

Plate: 464415213510

Material-assembly-group-no: 4644.152.135



Pos.	Material number	Customer material	Name	Quantity	ME	Amend. no.	Techn. Info.	Weight	Rep kit	Alternative material
432	4644.308.329	1000002200	ICLUTCH DISC	9				215		
434	4644.308.330	1000002201	ICLUTCH DISC	1				0,180		
436	---		ICLUTCH DISC	1				0,000		
---	4644.308.329	1000002200	ICLUTCH DISC	1				215		
---	4644.308.330	1000002201	ICLUTCH DISC	1				0,180		
440	0501.309.330	E135005	OCLUTCH DISC	8				180		
450	4644.308.329	1000002200	ICLUTCH DISC	4				215		
452	4644.308.330	1000002201	ICLUTCH DISC	2				0,180		
456	---		ICLUTCH DISC	1				0,000		
---	4644.308.329	1000002200	ICLUTCH DISC	1				215		
---	4644.308.330	1000002201	ICLUTCH DISC	1				0,180		

Plant

Page 1 from 1

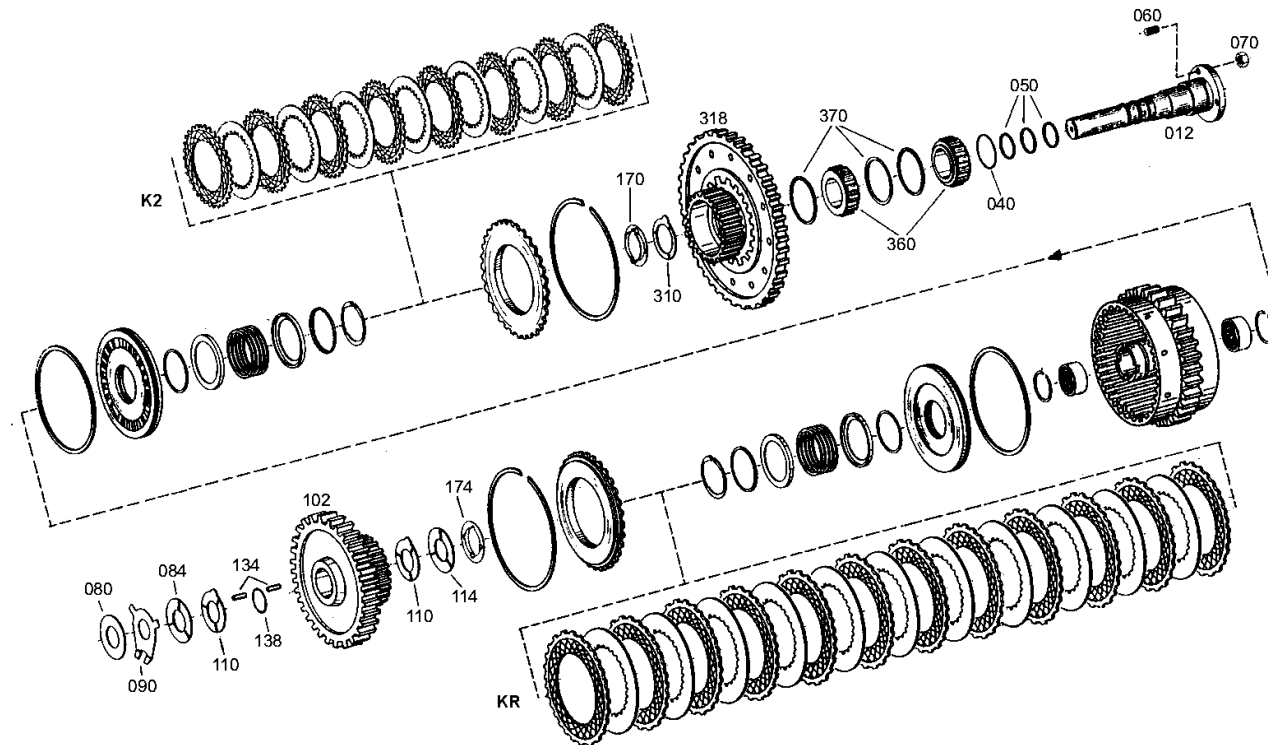
Material number: 4644.024.146

Plate: 464415253700

Material-assembly-group-no: 4644.152.537

4 WG 200(555/5) /

COUPLING



Parts list

Page 1 from 1

Material number: 4644.024.146

4 WG 200(555/5) /

Plate: 464415253700

Material-assembly-group-no: 4644.152.537



Pos.	Material number	Customer material	Name	Quantity	ME	Amend. no.	Techn. Info.	Weight	Rep kit	Alternative material
12	4644.352.062	184558A1	AXLE	1				3		
40	0634.313.536	00640755	O-RING	1			49X3	1		
50	0734.401.106	00560834	PISTON RING	3			38X2,0	2		
60	0636.610.014	1000000410	STUD	2			M8X18	0,009		
70	0637.006.018	33234	HEXAGON NUT	2			M8	4,700		
80	---		SHIM	1				0,500		
---	0730.003.501	7622721	SHIM	1			35X70X0,4	0,009		
---	0730.003.502	1000000476	SHIM	1			35X70X0,6	0,013		
---	0730.003.503	1000000477	SHIM	1			35X70X0,8	18		
---	0730.003.504	7622724	SHIM	1			35X70X1	22		
---	0730.003.505	1000000479	SHIM	1			35X70X1,2	27		
---	0730.108.157	199081A1	SHIM	1		K02058/9410	70X35,1X1,4	35		
---	0730.108.158		SHIM	1		K02058/9410	70X35,1X1,6	40		
---	0730.108.159	199083A1	SHIM	1		K02058/9410	70X35,1X1,8	0,040		
---	0730.108.160	199084A1	SHIM	1		K02058/9410	70X35,1X2	45		
---	0730.108.161	199085A1	SHIM	1		K02058/9410	70X35,1X2,2	50		
---	0730.108.162	199086A1	SHIM	1		K02058/9410	S=2,4	55		
---	0730.108.163	199087A1	SHIM	1		K02058/9410	70X35,1X2,6	55		
---	0730.108.164	199088A1	SHIM	1		K02058/9410	S=2,8	60		
84	0730.150.759	183515A1	THRUST WASHER	1				6		
90	4644.303.529	50363661	THRUST WASHER	1				0,023		
102	4644.308.625	237374A1	SPUR GEAR	1				6,300		
110	4644.308.265	E135267	THRUST WASHER	2				18		
114	0730.150.773	183547A1	THRUST WASHER	1				4,300		
134	0750.119.100	E136114	ROLLER SET	1			35X55X37	0,327		
138	4644.308.266	E135268	WASHER	1				3		
170	4644.351.094	75128395	THRUST PLATE	1				35		
174	4642.308.555	252366A1	THRUST PLATE	1				45		
310	0730.150.779	00655267	THRUST WASHER	1			A=2,10 IN 0730 150 455(2)	6		
318	4644.252.097		SPUR GEAR	1			Z=56	0,000		
360	0750.115.211	00640758	ROLLER CAGE	1			45X75X57	0,820		
370	0501.308.830	E135002	ANGLE RING	3				10		

Plant

Page 1 from 1

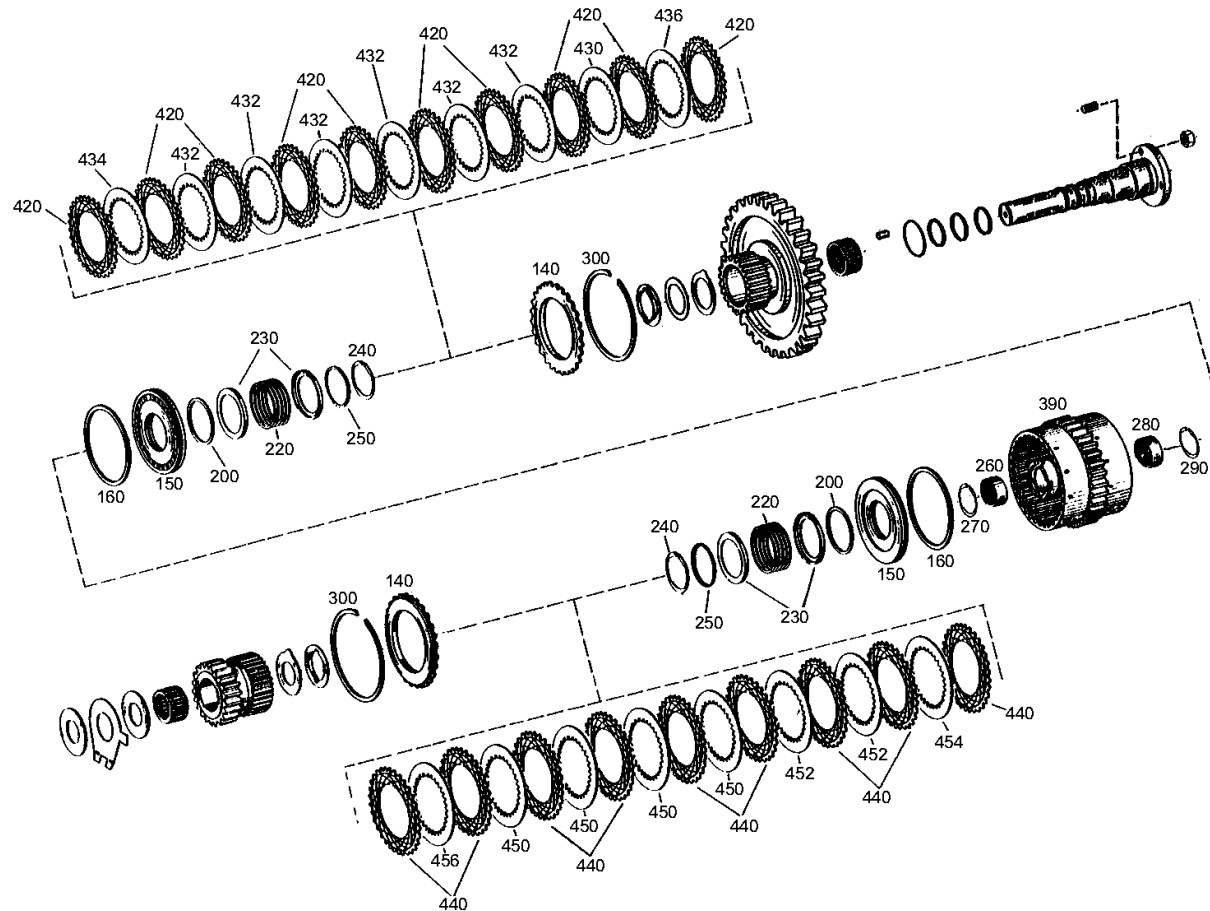
Material number: 4644.024.146

Plate: 464415312150

Material-assembly-group-no: 4644.153.121

4 WG 200(555/5) /

COUPLING



Parts list

Page 1 from 2

Material number: 4644.024.146 **4 WG 200(555/5) /**
Plate: 464415312150
Material-assembly-group-no: 4644.153.121



Pos.	Material number	Customer material	Name	Quantity	ME	Amend. no.	Techn. Info.	Weight	Rep kit	Alternative material
140	4642.308.185	1000002085	END SHIM	2				0,320		
150	4644.353.062	185168A1	PISTON	2		K01360/0410		0,300		
160	0750.112.141	00560860	PROFILE SEALING RING	2			109X120,4X2,5	5		
200	0750.112.140	00560806	PROFILE SEALING RING	2			60X71,4X2,5	4		
220	0732.041.183	1000000890	COMPRSPRING	2				157		
230	4642.308.083	1000002083	GUIDE RING	4				10		
240	0630.531.346	00560874	V-RING	2				12		
250	4642.308.084	1000002084	GUIDE RING	2				4,500		
260	0750.115.182	1000000956	NEEDLE SLEEVE	1			35,0X42,0X20,0	0,050		
270	0730.513.610		SNAP RING	1				5		
280	0635.303.204	1000000316	NEEDLE SLEEVE	1			40X47X20	0,056		
290	0730.513.611	242952A1	SNAP RING	1				5		
300	---		SNAP RING	2			H= 2,10- 2,50(ABSTUFUNG:0,05MM)	0,000		
---	0730.513.180	1000000883	SNAP RING	2			A=2,50 IN 0730 513 415(2)	26		
---	0730.513.416	185443A1	SNAP RING	2			A=2,45 IN 0730 513 415(2)	30		
---	0730.513.417	185442A1	SNAP RING	2			A=2,40 IN 0730 513 415(2)	25,400		
---	0730.513.418	185441A1	SNAP RING	2			A=2,35 IN 0730 513 415(2)	24,900		
---	0730.513.419	185440A1	SNAP RING	2			A=2,30 IN 0730 513 415(2)	24		
---	0730.513.420	185439A1	SNAP RING	2			A=2,25 IN 0730 513 415(2)	23,700		
---	0730.513.421	187238A1	SNAP RING	2			A=2,20 IN 0730 513 415(2)	23,010		
---	0730.513.455	185445A1	SNAP RING	2			A=2,15 IN 0730 513 415(2)	23		
---	0730.513.456	185446A1	SNAP RING	2			A=2,10 IN 0730 513 415(2)	26		
390	4644.253.045	237369A1	DISC CARRIER	1			VERSION II	5,900		
420	0501.309.329	13973649	OCLUTCH DISC	10				95		

Parts list

Page 2 from 2

Material number: 4644.024.146

4 WG 200(555/5) /

Plate: 464415312150

Material-assembly-group-no: 4644.153.121



Pos.	Material number	Customer material	Name	Quantity	ME	Amend. no.	Techn. Info.	Weight	Rep kit	Alternative material
430	4642.308.330	00560890	ICLUTCH DISC	1			S=1,5 Z=29	84		
432	4642.308.332	00560836	ICLUTCH DISC	6			S=2,0 Z=29	114		
434	4642.308.331	7011448	ICLUTCH DISC	1			S=2,5 Z=29	90		
436	---		ICLUTCH DISC	1				0,000		
---	4642.308.332	00560836	ICLUTCH DISC	1			S=2,0 Z=29	114		
---	4642.308.330	00560890	ICLUTCH DISC	1			S=1,5 Z=29	84		
---	4642.308.331	7011448	ICLUTCH DISC	1			S=2,5 Z=29	90		
440	0501.309.329	13973649	OCLUTCH DISC	9				95		
450	4642.308.330	00560890	ICLUTCH DISC	4			S=1,5 Z=29	84		
452	4642.308.332	00560836	ICLUTCH DISC	2			S=2,0 Z=29	114		
454	4642.308.331	7011448	ICLUTCH DISC	1			S=2,5 Z=29	90		
456	---		ICLUTCH DISC	1				0,000		
---	4642.308.332	00560836	ICLUTCH DISC	1			S=2,0 Z=29	114		
---	4642.308.330	00560890	ICLUTCH DISC	1			S=1,5 Z=29	84		
---	4642.308.331	7011448	ICLUTCH DISC	1			S=2,5 Z=29	90		

Plant

Page 1 from 1

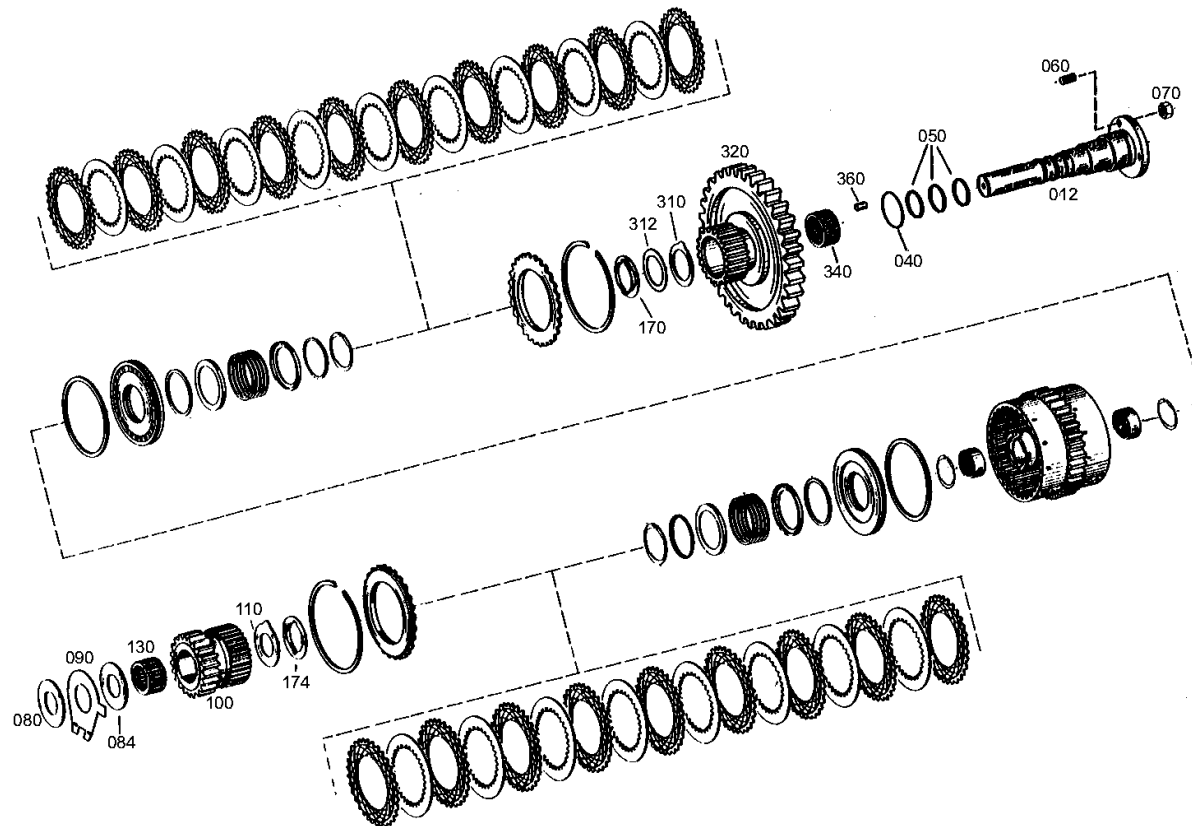
Material number: 4644.024.146

Plate: 464415350900

Material-assembly-group-no: 4644.153.509

4 WG 200(555/5) /

COUPLING



Parts list

Page 1 from 1

Material number: 4644.024.146

4 WG 200(555/5) /

Plate: 464415350900

Material-assembly-group-no: 4644.153.509



Pos.	Material number	Customer material	Name	Quantity	ME	Amend. no.	Techn. Info.	Weight	Rep kit	Alternative material
12	4644.353.058	237358A1	AXLE	1				3		
40	0634.313.536	00640755	O-RING	1			49X3	1		
50	0734.401.106	00560834	PISTON RING	3			38X2,0	2		
60	0636.610.014	1000000410	STUD	2			M8X18	0,009		
70	0637.006.018	33234	HEXAGON NUT	2			M8	4,700		
80	---		SHIM	1				0,500		
---	0730.003.501	7622721	SHIM	1			35X70X0,4	0,009		
---	0730.003.502	1000000476	SHIM	1			35X70X0,6	0,013		
---	0730.003.503	1000000477	SHIM	1			35X70X0,8	18		
---	0730.003.504	7622724	SHIM	1			35X70X1	22		
---	0730.003.505	1000000479	SHIM	1			35X70X1,2	27		
---	0730.108.157	199081A1	SHIM	1		K02058/9410	70X35,1X1,4	35		
---	0730.108.158		SHIM	1		K02058/9410	70X35,1X1,6	40		
---	0730.108.159	199083A1	SHIM	1		K02058/9410	70X35,1X1,8	0,040		
---	0730.108.160	199084A1	SHIM	1		K02058/9410	70X35,1X2	45		
---	0730.108.161	199085A1	SHIM	1		K02058/9410	70X35,1X2,2	50		
---	0730.108.162	199086A1	SHIM	1		K02058/9410	S=2,4	55		
---	0730.108.163	199087A1	SHIM	1		K02058/9410	70X35,1X2,6	55		
---	0730.108.164	199088A1	SHIM	1		K02058/9410	S=2,8	60		
84	0730.150.759	183515A1	THRUST WASHER	1				6		
90	4644.303.534	106918A1	THRUST WASHER	1				0,023		
100	4644.308.587	187237A1	SPUR GEAR	1			Z=29	1,100		
110	0730.150.777	00655266	THRUST WASHER	1			A=2,10 IN 0730 150 455(2)	6		
130	0735.358.069	00640759	NEEDLE CAGE	1			K 35,000X50,060X30,400	0,146		
170	4644.351.094	75128395	THRUST PLATE	1				35		
174	4642.308.555	252366A1	THRUST PLATE	1				45		
310	0730.150.779	00655267	THRUST WASHER	1			A=2,10 IN 0730 150 455(2)	6		
312	0730.109.643	242136A1	WASHER	1			A=3,00	0,028		
320	4644.308.630		SPUR GEAR	1			Z=37	5		
340	0750.115.109	1000000954	NEEDLE CAGE	1			45,0X53,0X28,0	0,080		
360	0750.119.048	1000000997	CYLROLLER	12			15,6X31 0/-6	45		

Plant

Page 1 from 1

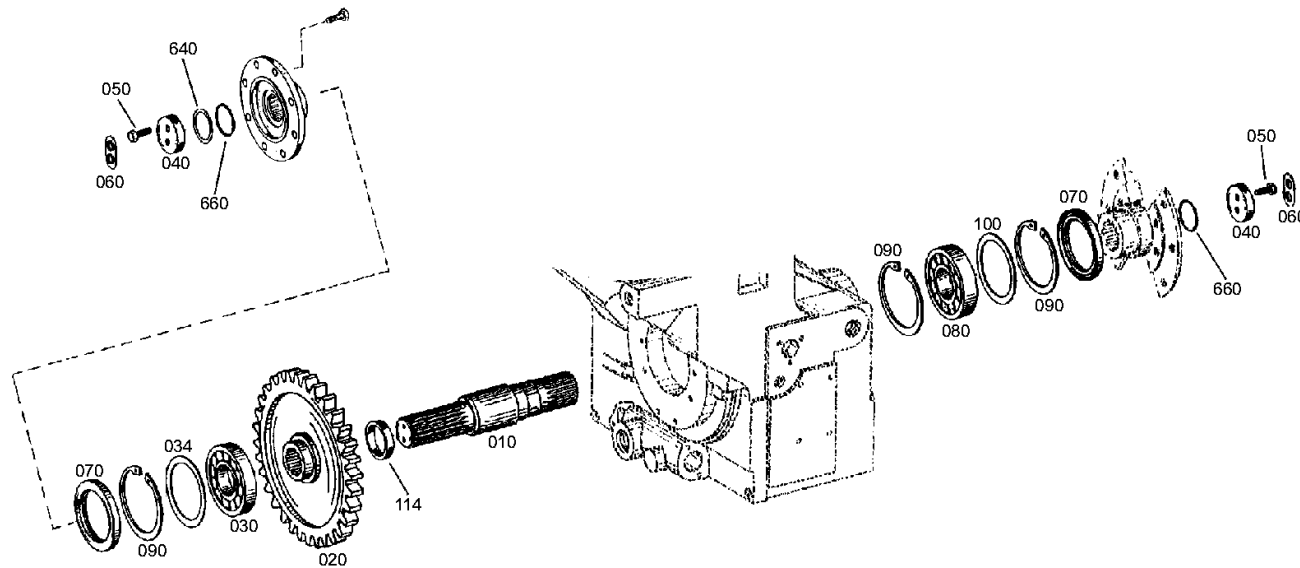
Material number: 4644.024.146

Plate: 464410310700

Material-assembly-group-no: 4644.103.107

4 WG 200(555/5) /

OUTPUT



Parts list

Page 1 from 2

Material number: 4644.024.146

4 WG 200(555/5) /

Plate: 464410310700

Material-assembly-group-no: 4644.103.107



Pos.	Material number	Customer material	Name	Quantity	ME	Amend. no.	Techn. Info.	Weight	Rep kit	Alternative material
10	4644.303.216	1000002141	OUTPUT SHAFT	1				7,280		
20	4644.303.279	237372A1	OUTPUT GEAR	1			Z=43	8,800		
30	0635.416.285	1000000320	CYROLLBEARING	1				1,070		
34	1204.308.062	1000001032	SHIM	1			A=0,50 IN 0730 006 163(2)	13		
40	4620.303.247	1000002067	WASHER	2				0,416		
50	0636.015.127	1000000355	HEXAGON BOLT	4			M10X30	26,200		
60	1269.302.164	14001129	TAB WASHER	2			ENTHALT.IN 1313 304 043(2)	15		
70	0750.111.116	4185960A	SHAFT SEAL	2			90X120X13	0,080		
80	0750.116.134	A0570111634	BALL BEARING	1			55,0X120,0X29,0	1,360		
90	0630.502.048	1000000218	RETAINING RING	3			120X4	0,080		
100	---		SHIM	1				0,000		
---	0730.002.654	1000000468	SHIM	1			A=1,80 IN 0730 006 163(2)	47		
---	0730.002.657	1000000471	SHIM	1			A=1,50 IN 0730 006 163(2)	39		
---	0730.002.656	1000000470	SHIM	1			A=1,60 IN 0730 006 163(2)	43		
---	0730.002.655	1000000469	SHIM	1			A=1,70 IN 0730 006 163(2)	0,040		
---	1204.308.014	1000001030	SHIM	1			A=0,20 IN 0730 006 163(2)	5		
---	1204.308.061	1000001031	SHIM	1			A=0,30 IN 0730 006 163(2)	8		
---	1204.308.062	1000001032	SHIM	1			A=0,50 IN 0730 006 163(2)	13		
---	0730.002.661	33-1081T1	SHIM	1		K01275/9310	A=1,10 IN 0730 006 163(2)	29		
---	0730.002.659	33-1083T1	SHIM	1		K01275/9310	A=1,30 IN 0730 006 163(2)	29		
---	0730.002.660	33-1082T1	SHIM	1		K01275/9310	A=1,20 IN 0730 006 163(2)	32		
---	0730.002.658	33-1084T1	SHIM	1		K01275/9310	A=1,40 IN 0730 006 163(2)	0,030		

Parts list

Page 2 from 2

Material number: 4644.024.146

4 WG 200(555/5) /

Plate: 464410310700

Material-assembly-group-no: 4644.103.107



Pos.	Material number	Customer material	Name	Quantity	ME	Amend. no.	Techn. Info.	Weight	Rep kit	Alternative material
---	1204.308.123	185061A1	SHIM	1		K01275/9310	A=1,00 IN 0730 006 163(2)	0,020		
---	0730.007.638	8900126816	SHIM	1			A=1,15 IN 0730 006 163(2)	30		
---	0730.006.164	8900126817	SHIM	1			A=1,45 IN 0730 006 163(2)	37		
---	0730.006.165	8900126818	SHIM	1			A=1,55 IN 0730 006 163(2)	40		
---	0730.007.637	8900126819	SHIM	1			A=1,05 IN 0730 006 163(2)	25		
---	0730.007.639	8900126820	SHIM	1			A=1,25 IN 0730 006 163(2)	30		
---	0730.007.640	8900126821	SHIM	1			A=1,35 IN 0730 006 163(2)	35		
114	0730.062.296	A0370206296	PIPE	1			L=20,0	140		
640	---		SPACING WASHER	1				0,000		
---	4644.303.500	187242A1	SPACING WASHER	1			A=0,6	8		
---	4644.303.501	187243A1	SPACING WASHER	1			A=1,1	10		
660	0634.303.466	9304730	O-RING	2			48X4	2		

Plant

Page 1 from 1

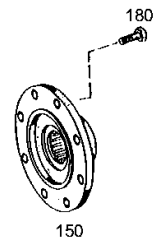
Material number: 4644.024.146

Plate: 464410346700

Material-assembly-group-no: 4644.103.467

4 WG 200(555/5) /

OUTPUT



Parts list

Page 1 from 1

Material number: 4644.024.146

4 WG 200(555/5) /

Plate: 464410346700

Material-assembly-group-no: 4644.103.467



Pos.	Material number	Customer material	Name	Quantity	ME	Amend. no.	Techn. Info.	Weight	Rep kit	Alternative material
150	4644.303.389	3150247900	OUTPUT FLANGE	1				3,030		
180	0736.020.031	A8606011	HEXAGON BOLT	8			M12X1,5 IN 0736 020 100(2)	47		

Plant

Page 1 from 2

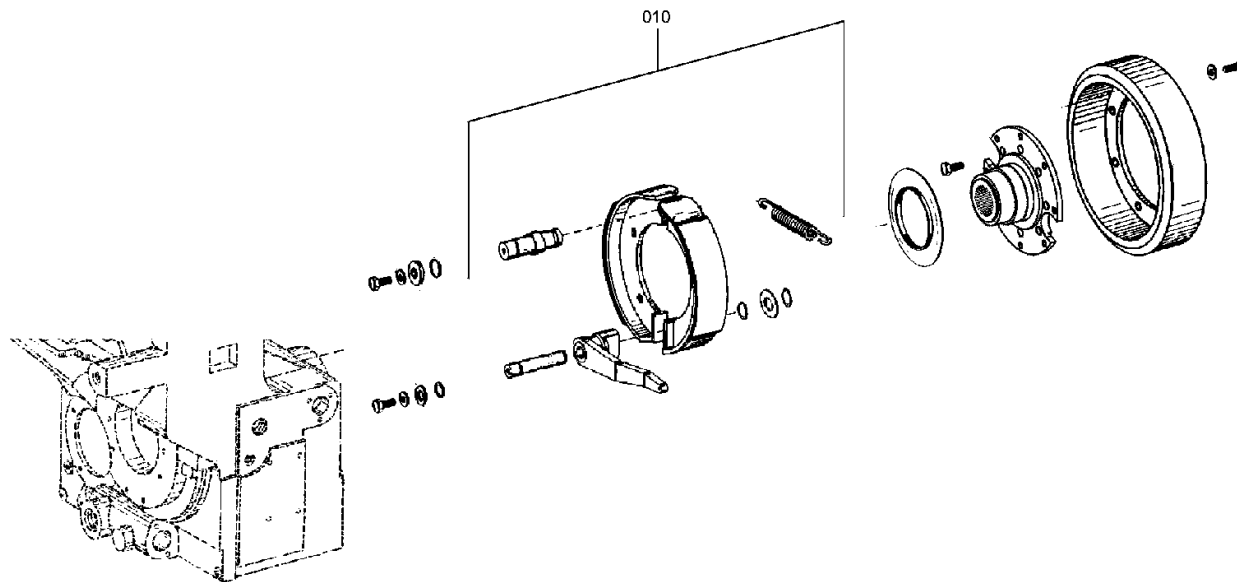
Material number: 4644.024.146

Plate: 464410904001

Material-assembly-group-no: 4644.109.040

4 WG 200(555/5) /

PARKING BRAKE



Plant

Page 2 from 2

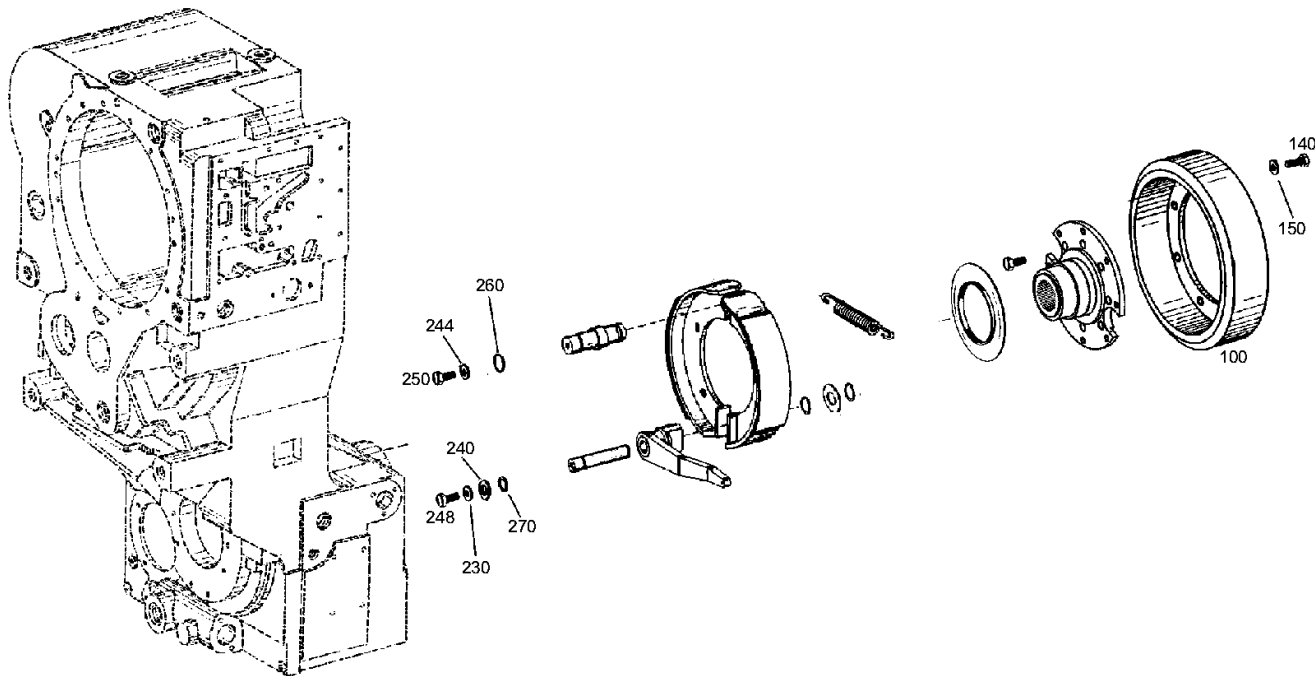
Material number: 4644.024.146

Plate: 464410904002

Material-assembly-group-no: 4644.109.040

4 WG 200(555/5) /

PARKING BRAKE



Parts list

Page 1 from 1

Material number: 4644.024.146

4 WG 200(555/5) /

Plate: 464410904001

Material-assembly-group-no: 4644.109.040



Pos.	Material number	Customer material	Name	Quantity	ME	Amend. no.	Techn. Info.	Weight	Rep kit	Alternative material
10	0501.008.070		BRAKE	1				0,000		
100	4644.309.002	1000002207	BRAKE DRUM	1				8,200		
140	0636.015.166	7001574	HEXAGON BOLT	8			M10X25	25		
150	0630.001.014	070.690.271	WASHER	8				2		
230	4644.309.066	1000002209	WASHER	1				45		
240	0730.107.676	1000000769	WASHER	1			S=3,0	10		
244	0630.001.014	070.690.271	WASHER	1				2		
248	0636.010.159	1000000335	HEXAGON BOLT	1			M10X40	0,030		
250	0636.015.115	14223620	HEXAGON BOLT	1			M10X22	0,230		
260	0634.306.017	00560824	O-RING	1			17,3X2,4	0,005		
270	0634.306.024	1000000281	O-RING	1			25,3X2,4	1		

Plant

Page 1 from 1

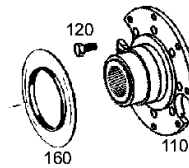
Material number: 4644.024.146

Plate: 464410943800

Material-assembly-group-no: 4644.109.438

4 WG 200(555/5) /

PARKING BRAKE



Parts list

Page 1 from 1

Material number: 4644.024.146

4 WG 200(555/5) /

Plate: 464410943800

Material-assembly-group-no: 4644.109.438



Pos.	Material number	Customer material	Name	Quantity	ME	Amend. no.	Techn. Info.	Weight	Rep kit	Alternative material
110	4644.309.001	2150213300	OUTPUT FLANGE	1				5,497		
120	0636.020.082		HEXAGON BOLT	8			M14X1,5X45	0,080		
160	4644.309.008	75286002	FIXING PLATE	1				205		

Plant

Page 1 from 1

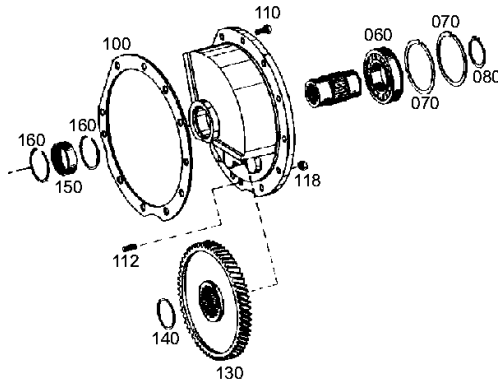
Material number: 4644.024.146

Plate: 464415408000

Material-assembly-group-no: 4644.154.080

4 WG 200(555/5) /

POWER TAKE-OFF



Parts list

Page 1 from 1

Material number: 4644.024.146

4 WG 200(555/5) /

Plate: 464415408000

Material-assembly-group-no: 4644.154.080



Pos.	Material number	Customer material	Name	Quantity	ME	Amend. no.	Techn. Info.	Weight	Rep kit	Alternative material
60	0750.116.259	00640752	BALL BEARING	1			45,000X85,000X19,000	399		
70	0630.503.011	1000000221	SNAP RING	2				0,020		
80	0630.501.033	1000000208	RETAINING RING	1			45X1,75	5		
100	4644.311.214	144436A1	GASKET	1				0,010		
110	0636.015.077	1000000349	HEXAGON BOLT	10			M8X20	10		
112	0636.610.014	1000000410	STUD	1			M8X18	0,009		
118	0637.006.018	33234	HEXAGON NUT	1			M8	4,700		
130	4644.311.117	A4464131117	INPUT GEAR	1			Z=74	2,770		
140	0630.513.068	A0360051368	SNAP RING	1				3,500		
150	0635.303.104	75286052	NEEDLE SLEEVE	1			45X52X16	100		
160	0630.513.016	75285858	SNAP RING	2				4		

Plant

Page 1 from 1

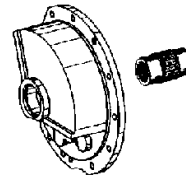
Material number: 4644.024.146

Plate: 464415447600

Material-assembly-group-no: 4644.154.476

4 WG 200(555/5) /

POWER TAKE-OFF



Parts list

Page 1 from 1

Material number: 4644.024.146

4 WG 200(555/5) /

Plate: 464415447600

Material-assembly-group-no: 4644.154.476



Pos.	Material number	Customer material	Name	Quantity	ME	Amend. no.	Techn. Info.	Weight	Rep kit	Alternative material
20	4644.311.196	A4464131196	DRIVER	1				0,600		
120	4644.311.120	2150214900	PTO HOUSING	1				6,500		

Plant

Page 1 from 1

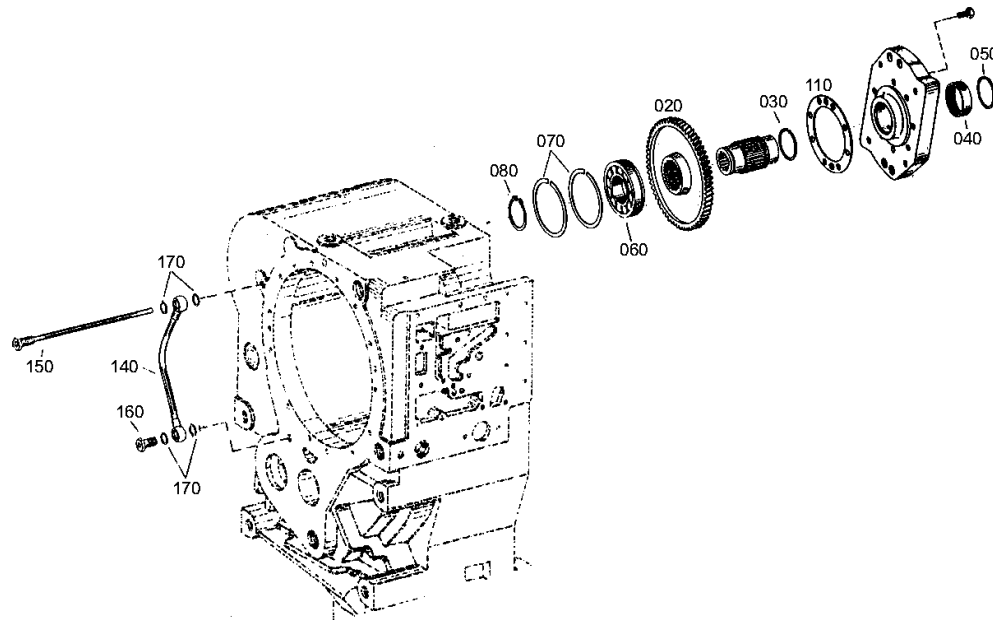
Material number: 4644.024.146

Plate: 464415503100

Material-assembly-group-no: 4644.155.031

4 WG 200(555/5) /

POWER TAKE-OFF



Parts list

Page 1 from 1

Material number: 4644.024.146

4 WG 200(555/5) /

Plate: 464415503100

Material-assembly-group-no: 4644.155.031



Pos.	Material number	Customer material	Name	Quantity	ME	Amend. no.	Techn. Info.	Weight	Rep kit	Alternative material
20	4644.311.118		INPUT GEAR	1			Z=74	3,080		
30	0630.513.068	A0360051368	SNAP RING	1				3,500		
40	0635.303.104	75286052	NEEDLE SLEEVE	1			45X52X16	100		
50	0630.513.016	75285858	SNAP RING	1				4		
60	0750.116.259	00640752	BALL BEARING	1			45,000X85,000X19,000	399		
70	0630.503.011	1000000221	SNAP RING	2				0,020		
80	0630.501.033	1000000208	RETAINING RING	1			45X1,75	5		
110	4644.311.209	76026020	GASKET	1				0,003		
140	0750.147.048	76035169	HOSE PIPE	1				0,147		
150	4642.211.001	75286057	SPRAY TUBE	1				92		
160	0637.835.515	A7360583515	UNION SCREW	1				26		
170	0634.801.151	76035168	SEALING RING	4			14X20	2		

Plant

Page 1 from 1

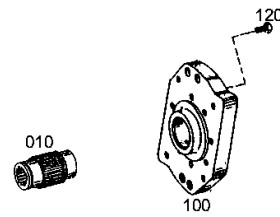
Material number: 4644.024.146

Plate: 464415542000

Material-assembly-group-no: 4644.155.420

4 WG 200(555/5) /

POWER TAKE-OFF



Parts list

Page 1 from 1

Material number: 4644.024.146

4 WG 200(555/5) /

Plate: 464415542000

Material-assembly-group-no: 4644.155.420



Pos.	Material number	Customer material	Name	Quantity	ME	Amend. no.	Techn. Info.	Weight	Rep kit	Alternative material
10	4644.311.196	A4464131196	DRIVER	1				0,600		
100	4644.311.121		COVER	1				2,800		
120	0636.015.278	1000000359	HEXAGON BOLT	8			M8X16	10		

Plant

Page 1 from 1

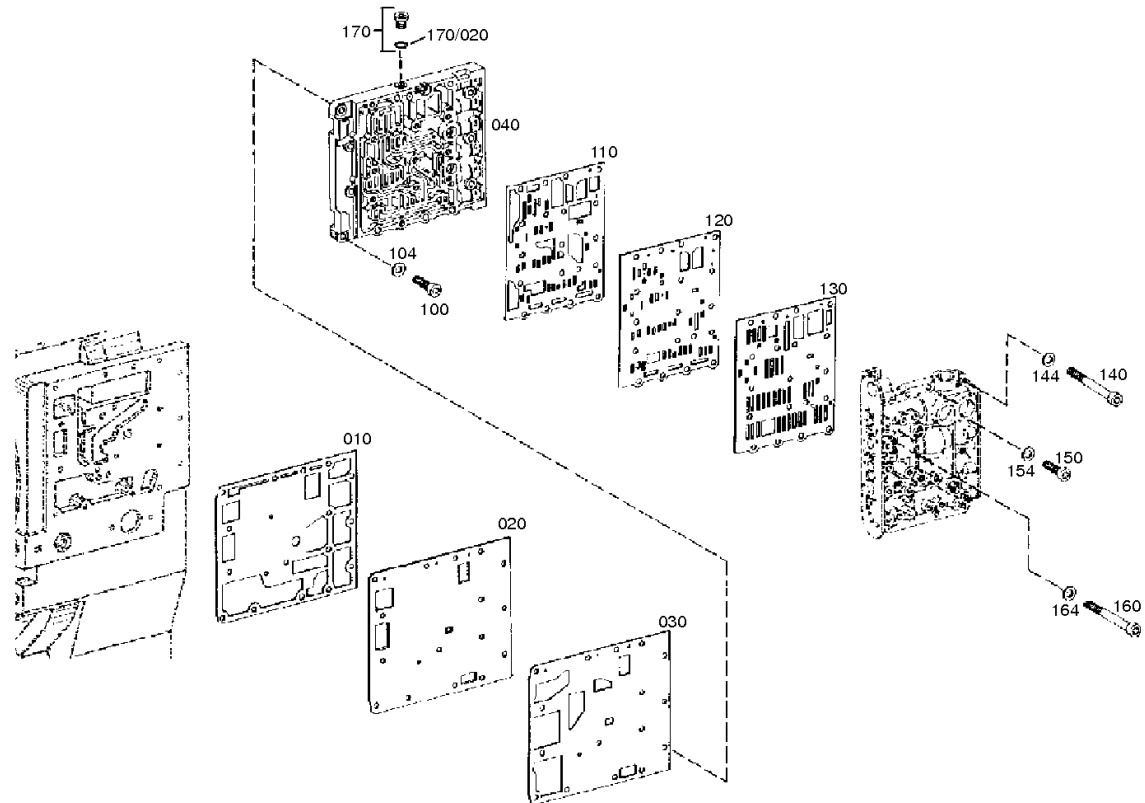
Material number: 4644.024.146

Plate: 464410632500

Material-assembly-group-no: 4644.106.325

4 WG 200(555/5) /

GEAR SHIFT SYSTEM



Parts list

Page 1 from 1

Material number: 4644.024.146 4 WG 200(555/5) /
 Plate: 464410632500
 Material-assembly-group-no: 4644.106.325



Pos.	Material number	Customer material	Name	Quantity	ME	Amend. no.	Techn. Info.	Weight	Rep kit	Alternative material
10	4644.306.362	026.00331	GASKET	1				0,010		
20	4644.306.363	1000002168	COVER PLATE	1		K01772/9710		1,130		
30	4644.306.364	026.00332	GASKET	1				27		
40	4644.306.365	1000002170	DUCT PLATE	1				1,780		
100	0636.102.173		CAP SCREW	11		K01357/0010	M8X35	15		
104	0630.003.006	1000000179	WASHER	11				1,200		
110	4644.306.497	026.00333	GASKET	1				16,200		
120	4644.306.508	129791A1	COVER PLATE	1				470		
130	4644.306.370	026.00334	GASKET	1				17,600		
140	0736.101.205		CAP SCREW	5		K01357/0010	M8X65	0,029		
144	0630.003.006	1000000179	WASHER	5				1,200		
150	0736.101.203	19M2724	CAP SCREW	11		K01357/0010	M8X35	0,017		
154	0630.003.006	1000000179	WASHER	11				1,200		
160	0736.101.204		CAP SCREW	1		K01357/0010	M8X60	0,026		
164	0630.003.006	1000000179	WASHER	1				1,200		
170	---		SCREW PLUG	1			M10X1 KPL.MIT O-RING	5		
/20	0634.303.280	590808	O-RING	1			8X1,5	0,007		

Plant

Page 1 from 1

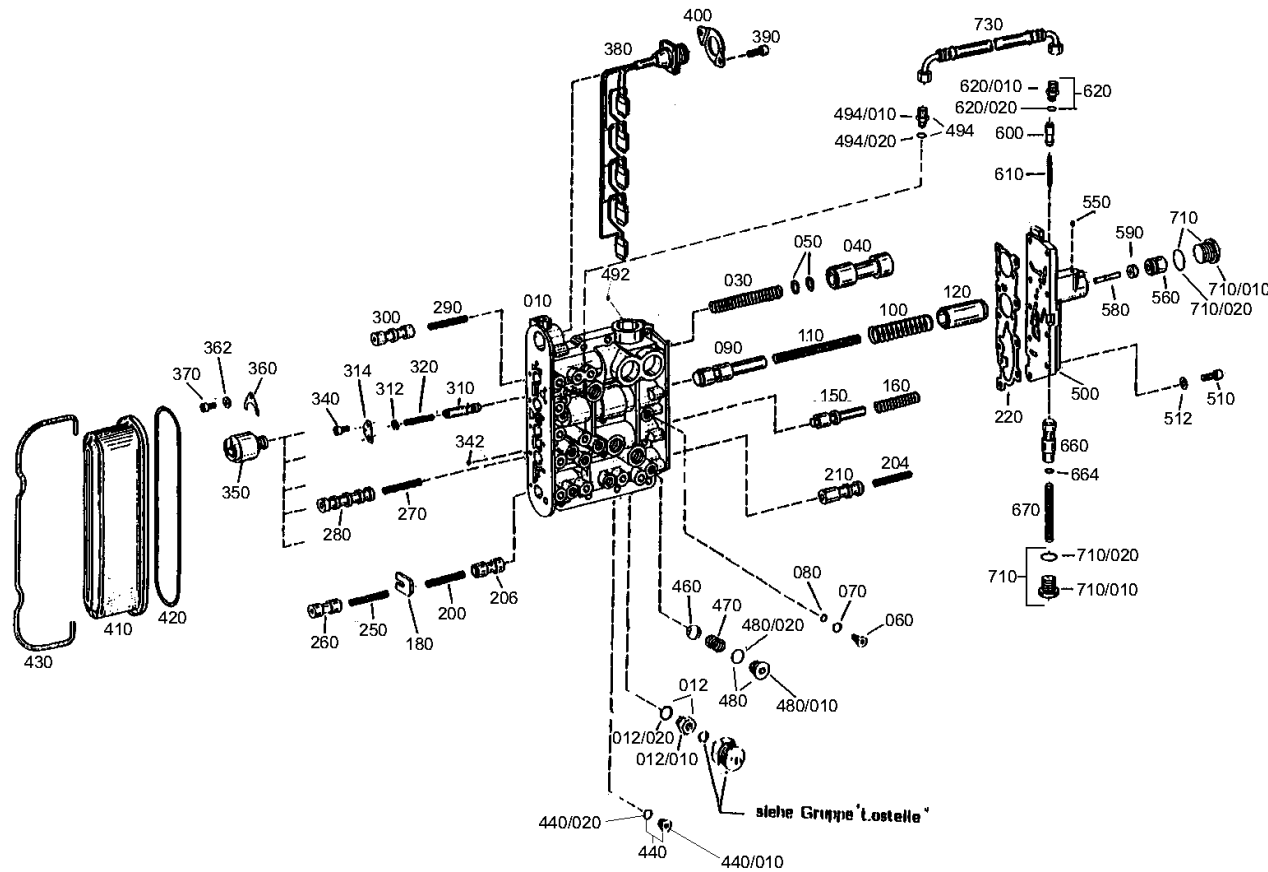
Material number: 4644.024.146

Plate: 464415934700

Material-assembly-group-no: 4644.159.347

4 WG 200(555/5) /

GEAR SHIFT SYSTEM



Parts list

Page 1 from 3

Material number: 4644.024.146

4 WG 200(555/5) /

Plate: 464415934700

Material-assembly-group-no: 4644.159.347



Pos.	Material number	Customer material	Name	Quantity	ME	Amend. no.	Techn. Info.	Weight	Rep kit	Alternative material
10	4644.306.558	237348A1	VALVE BLOCK	1				2		
12	---		SCREW-IN SLEEVE	1				30		
/10	4644.306.566	185438A1	SCREW-IN SLEEVE	1				30		
/20	0634.306.524	00560840	O-RING	1			15X2	0,002		
30	0732.042.314	1000000899	COMPRSPRING	1				0,042		
40	4644.306.597	251514A1	PISTON	1		K00363/0010		50		
50	---		WASHER	2			10X16	0,010		
---	0630.000.185	8900126837	SHIM RING	2			10X16X0,2	0,001		
---	0630.000.164	8900126838	SHIM RING	2			10X16X0,3	0,001		
---	0630.000.148	MX352025	SHIM RING	2			10X16X0,4	1		
---	0630.004.038	8963100549	SHIM RING	2			10X16X0,5	0,001		
---	0630.004.037	1000000181	SHIM RING	2			10X16X1	1		
60	---		ORIFICE	1			H= 0,60- 0,95(ABSTUFUNG:0,05MM)	0,000		
---	4644.306.401	1000002187	ORIFICE	1			A=0,6	8		
---	4644.306.402	1000002188	ORIFICE	1			A=0,7	8		
---	4644.306.403	1000002189	ORIFICE	1			A=0,8	8		
---	4644.306.521	129801A1	ORIFICE	1			A=0,65	5		
---	4644.306.522	129802A1	ORIFICE	1			A=0,75	5		
---	4644.306.404	129803A1	ORIFICE	1			A=0,85	5		
---	4644.306.531	129804A1	ORIFICE	1			A=0,90	10		
---	4644.306.554	185121A1	ORIFICE	1			A=0,95	10		
70	0634.303.280	590808	O-RING	1			8X1,5	0,007		
80	0634.306.170	1000000282	O-RING	1			6X1,5	0,001		
90	4644.306.376	1000002176	PISTON	1				20		
100	0732.042.315	1000000900	COMPRSPRING	1				0,040		
110	0732.042.316	00655263	COMPRSPRING	1				20		
120	4644.306.377	1000002177	PISTON	1				20		
150	4644.306.509	00655264	PISTON	1				20		
160	0732.042.317	1000000902	COMPRSPRING	1				17,800		
180	4644.306.379	1000002179	STOP PLATE	1				15		
200	0770.060.648	1000001007	COMPRSPRING	1				5,500		
204	0770.060.648	1000001007	COMPRSPRING	1				5,500		
206	4644.306.381	7622211	PISTON	1				20		

Parts list

Page 2 from 3

Material number: 4644.024.146

4 WG 200(555/5) /

Plate: 464415934700

Material-assembly-group-no: 4644.159.347



Pos.	Material number	Customer material	Name	Quantity	ME	Amend. no.	Techn. Info.	Weight	Rep kit	Alternative material
210	4644.306.380	100350A1	PISTON	1				20		
220	4644.306.584	231128A1	GASKET	1				5		
250	0770.060.648	1000001007	COMPRSPRING	1				5,500		
260	4644.306.381	7622211	PISTON	1				20		
270	0770.060.648	1000001007	COMPRSPRING	1				5,500		
280	4644.306.383	1000002181	PISTON	1				20		
290	0770.060.648	1000001007	COMPRSPRING	1				5,500		
300	4644.306.384	1000002182	PISTON	1				20		
310	4644.306.578	185461A1	REDUCTION VALVE	1		K00945/00110		5		
312	0730.007.565	185462A1	RING	1			A=2,0	5		
314	4644.306.580	185463A1	FIXING PLATE	1				5		
320	0732.042.024	1000000895	COMPRSPRING	1				4		
340	0636.101.129	1000000381	CAP SCREW	2			M5X12	0,003		
342	0635.460.005	1000000322	BALL	10			4,5	0,400		
350	0501.313.375	A8502873	SOLENOID VALVE	5				0,080		
360	1043.326.045	1000001029	FIXING PLATE	5				0,003		
362	0730.004.292	1000000499	WASHER	5			A=2,00 IN 0730 004 289(2)	1		
370	0636.101.129	1000000381	CAP SCREW	5			M5X12	0,003		
380	4644.206.035	1000002120	WIRING HARNESS	1				55		
390	0636.101.478	21577612	CAP SCREW	2			M6X14	5,100		
400	4644.306.399	1000002186	FIXING PLATE	1				25		
410	4644.206.039	129808A1	COVER	1				350		
420	0634.349.606	00579045	O-RING	1			159,2X5,7	15		
430	4644.306.388	1000003505	CLAMP	1				65		
440	---		SCREW PLUG	8			M10X1 KPL.MIT O-RING	5		
/20	0634.303.280	590808	O-RING	1			8X1,5	0,007		
460	0635.460.027	1000000326	BALL	2			16	17		
470	0732.041.226	1000000891	COMPRSPRING	2				0,001		
480	---		SCREW PLUG	3			M18X1,5 KPL.MIT O-RING	30		
/20	0634.306.524	00560840	O-RING	1			15X2	0,002		
492	0635.460.005	1000000322	BALL	1			4,5	0,400		
494	---		SCREW-IN SLEEVE	1				15		
/10	0637.842.525	242138A1	SCREW-IN SLEEVE	1				13,400		

Parts list

Page 3 from 3

Material number: 4644.024.146

4 WG 200(555/5) /

Plate: 464415934700

Material-assembly-group-no: 4644.159.347



Pos.	Material number	Customer material	Name	Quantity	ME	Amend. no.	Techn. Info.	Weight	Rep kit	Alternative material
/20	0634.303.280	590808	O-RING	1			8X1,5	0,007		
500	4644.306.511	129810A1	GEAR SHIFT HOUSING	1				0,350		
510	0636.101.012	131080A1	CAP SCREW	9			M6X20	0,007		
512	0630.003.004	1000000178	WASHER	9				1		
550	0635.460.005	1000000322	BALL	5			4,5	0,400		
560	4644.306.440	100365A1	PISTON	1			A=21,5	5		
580	0635.470.104	S301603	ROLLER	1			6X32	0,007		
590	---		RING	1				0,000		
---	0730.006.344	S301604	RING	1			A=2,00	5		
---	0730.006.345	S301605	RING	1			A=3,00	5		
---	0730.006.346	S301606	RING	1			A=4,00	5		
---	0730.006.347	S301607	RING	1			A=6,00	5		
---	0730.006.348	S301608	RING	1				5		
600	4644.306.397	100366A1	PISTON	1				20		
610	0732.042.318	100368A1	COMPRSPRING	1				1,600		
620	---		SCREW-IN SLEEVE	1				60		
/10	4616.306.109	237315A1	SCREW-IN SLEEVE	1				60		
/20	0634.303.144	4100157A	O-RING	1			9,5X2	1		
660	4644.306.398	100370A1	PISTON	1				20		
664	0630.004.252	S301611	SHIM RING	10			4X8X0,5	0,001		
670	0732.041.764	N14721	COMPRSPRING	1				5		
710	---		SCREW PLUG	1				35		
/20	0634.306.198	1000000283	O-RING	1			17X2	0,240		
730	0750.147.228	242139A1	HOSE PIPE	1				90		

Plant

Page 1 from 1

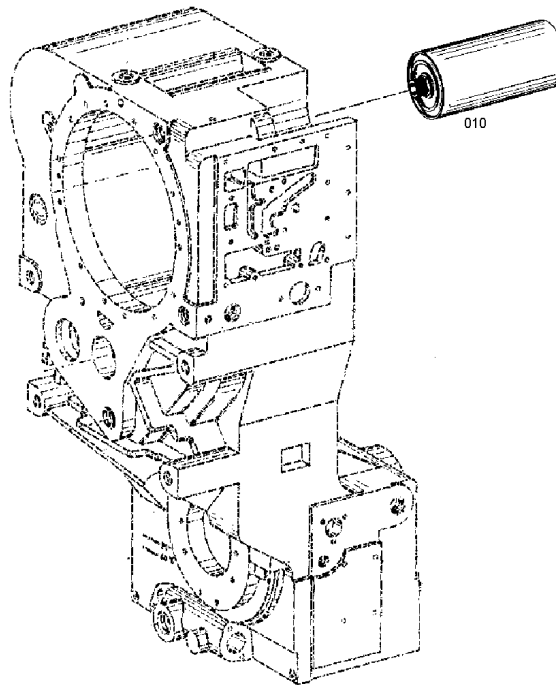
Material number: 4644.024.146

Plate: 464413800800

Material-assembly-group-no: 4644.138.015

4 WG 200(555/5) /

FILTER



Parts list

Page 1 from 1

Material number: 4644.024.146

4 WG 200(555/5) /

Plate: 464413800800

Material-assembly-group-no: 4644.138.015



Pos.	Material number	Customer material	Name	Quantity	ME	Amend. no.	Techn. Info.	Weight	Rep kit	Alternative material
10	0750.131.053	507419015	EXCHANGE FILTER	1		K02160/9910		0,938		

Plant

Page 1 from 1

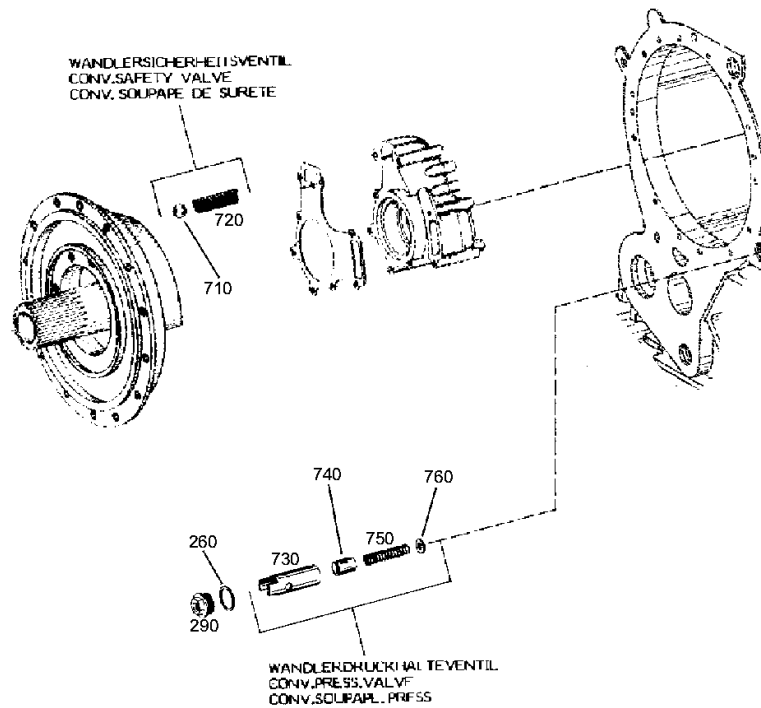
Material number: 4644.024.146

Plate: 464412021300

Material-assembly-group-no: 4644.120.213

4 WG 200(555/5) /

PRESSURE REGULATOR



Parts list

Page 1 from 1

Material number: 4644.024.146

4 WG 200(555/5) /

Plate: 464412021300

Material-assembly-group-no: 4644.120.213



Pos.	Material number	Customer material	Name	Quantity	ME	Amend. no.	Techn. Info.	Weight	Rep kit	Alternative material
260	0634.303.283	A52149	O-RING	1			27X2,5	1		
290	0636.305.024	1000000406	SCREW PLUG	1			M30X1,5	80		
710	0635.460.029	1000000327	BALL	1			20	33		
720	0732.041.352	1000000893	COMPRSPRING	1				0,023		
730	4644.320.042	1000002216	VALVE BUSH	1				100		
740	4644.320.034	1000002215	PISTON	1				58		
750	0732.042.251	1000000898	COMPRSPRING	1				0,039		
760	0630.001.017	1000000175	WASHER	1				0,007		

Plant

Page 1 from 1

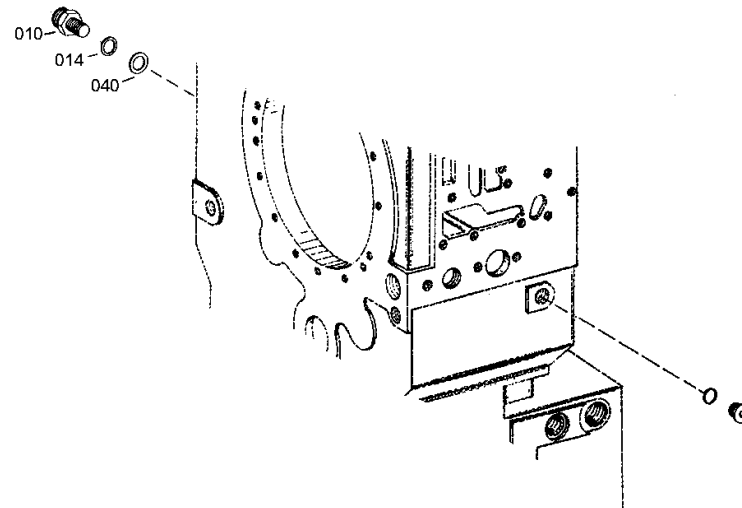
Material number: 4644.024.146

Plate: 464412501610

Material-assembly-group-no: 4644.125.016

4 WG 200(555/5) /

INDTRANSMITTER



Parts list

Page 1 from 1

Material number: 4644.024.146

4 WG 200(555/5) /

Plate: 464412501610

Material-assembly-group-no: 4644.125.016



Pos.	Material number	Customer material	Name	Quantity	ME	Amend. no.	Techn. Info.	Weight	Rep kit	Alternative material
10	0501.317.160	00605077	INDTRANSMITTER	1		K00396/9810	SCHRAUBANSCHLUSS M24X1	88		
14	0634.801.155	1000000310	SEALING RING	1			18X24	2		
40	---		SHIM RING	1			H= 1,00- 1,50	0,020		
---	0630.004.030	1000000180	SHIM RING	1			18X25X1,5	0,003		
---	0630.004.040	1000000182	SHIM RING	1			18X25X1,4	2		
---	0630.004.041	1000000183	SHIM RING	1			18X25X1,2	2		
---	0630.004.042	1000000184	SHIM RING	1			18X25X1	0,002		

Plant

Page 1 from 1

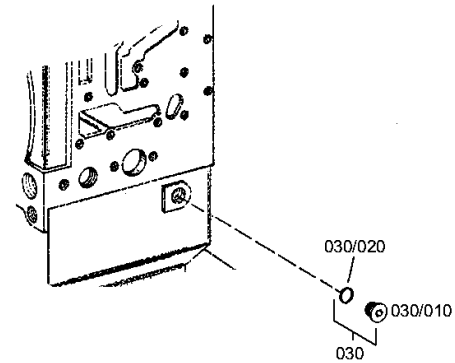
Material number: 4644.024.146

Plate: 464412547900

Material-assembly-group-no: 4644.125.479

4 WG 200(555/5) /

INDTRANSMITTER



Parts list

Page 1 from 1

Material number: 4644.024.146

4 WG 200(555/5) /

Plate: 464412547900

Material-assembly-group-no: 4644.125.479



Pos.	Material number	Customer material	Name	Quantity	ME	Amend. no.	Techn. Info.	Weight	Rep kit	Alternative material
30	---		SCREW PLUG	1			M18X1,5 KPL.MIT O-RING	30		
/20	0634.306.524	00560840	O-RING	1			15X2	0,002		

Plant

Page 1 from 1

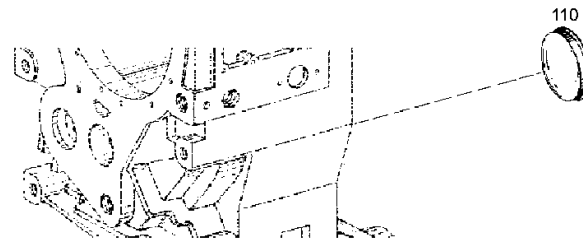
Material number: 4644.024.146

Plate: 464413702200

Material-assembly-group-no: 4644.137.022

4 WG 200(555/5) /

EMERGENCY STEERING PUMP



Parts list

Page 1 from 1

Material number: 4644.024.146

4 WG 200(555/5) /

Plate: 464413702200

Material-assembly-group-no: 4644.137.022



Pos.	Material number	Customer material	Name	Quantity	ME	Amend. no.	Techn. Info.	Weight	Rep kit	Alternative material
110	4642.301.106	1000002075	SEALING CAP	1				120		

Plant

Page 1 from 1

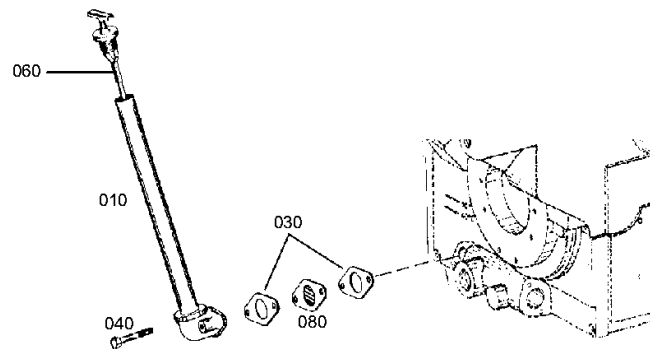
Material number: 4644.024.146

Plate: 464413107700

Material-assembly-group-no: 4644.131.077

4 WG 200(555/5) /

FILLER NECK



Parts list

Page 1 from 1

Material number: 4644.024.146

4 WG 200(555/5) /

Plate: 464413107700

Material-assembly-group-no: 4644.131.077



Pos.	Material number	Customer material	Name	Quantity	ME	Amend. no.	Techn. Info.	Weight	Rep kit	Alternative material
10	4644.231.179		OIL LEVEL TUBE	1				890		
30	4642.331.216	00553563	GASKET	2				0,001		
40	0636.010.089	00553562	HEXAGON BOLT	2			M8X50	0,022		
60	4644.231.086	1000002124	OIL DIPSTICK	1				100		
80	4642.331.056	00553560	BAFFLE PLATE	1				0,013		

Plant

Page 1 from 1

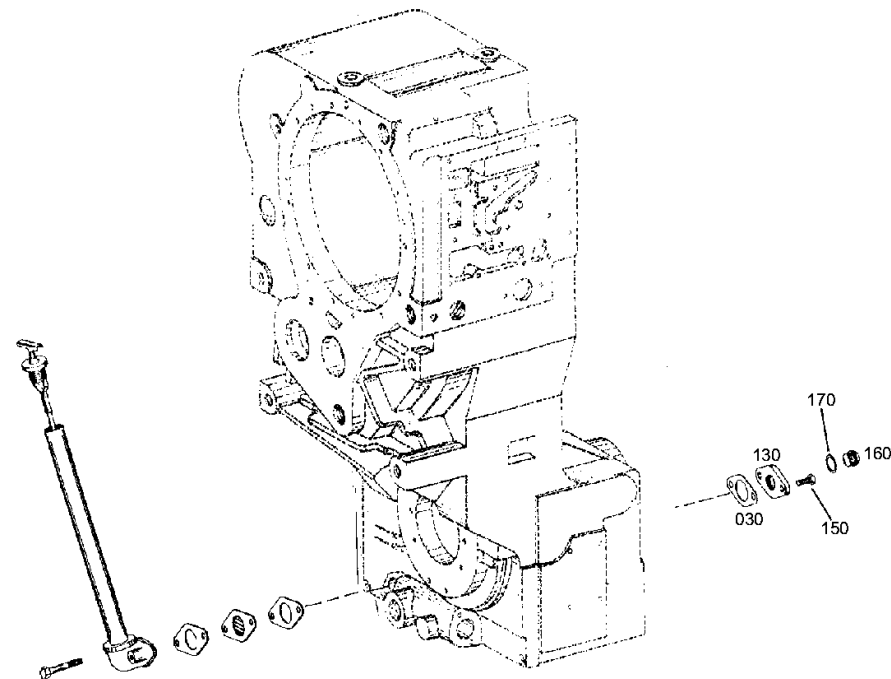
Material number: 4644.024.146

Plate: 464413141900

Material-assembly-group-no: 4644.131.419

4 WG 200(555/5) /

FILLER NECK



Parts list

Page 1 from 1

Material number: 4644.024.146

4 WG 200(555/5) /

Plate: 464413141900

Material-assembly-group-no: 4644.131.419



Pos.	Material number	Customer material	Name	Quantity	ME	Amend. no.	Techn. Info.	Weight	Rep kit	Alternative material
30	4642.331.216	00553563	GASKET	1				0,001		
130	4644.301.016	S300509	COVER PLATE	1			E=8	0,095		
150	0636.015.289	SA 8320-03490	HEXAGON BOLT	2			M8X16	10		
160	0636.305.016	E135080	SCREW PLUG	1			M22X1,5	36		
170	0634.801.074	1000000307	SEALING RING	1			22X27	2,100		

Plant

Page 1 from 1

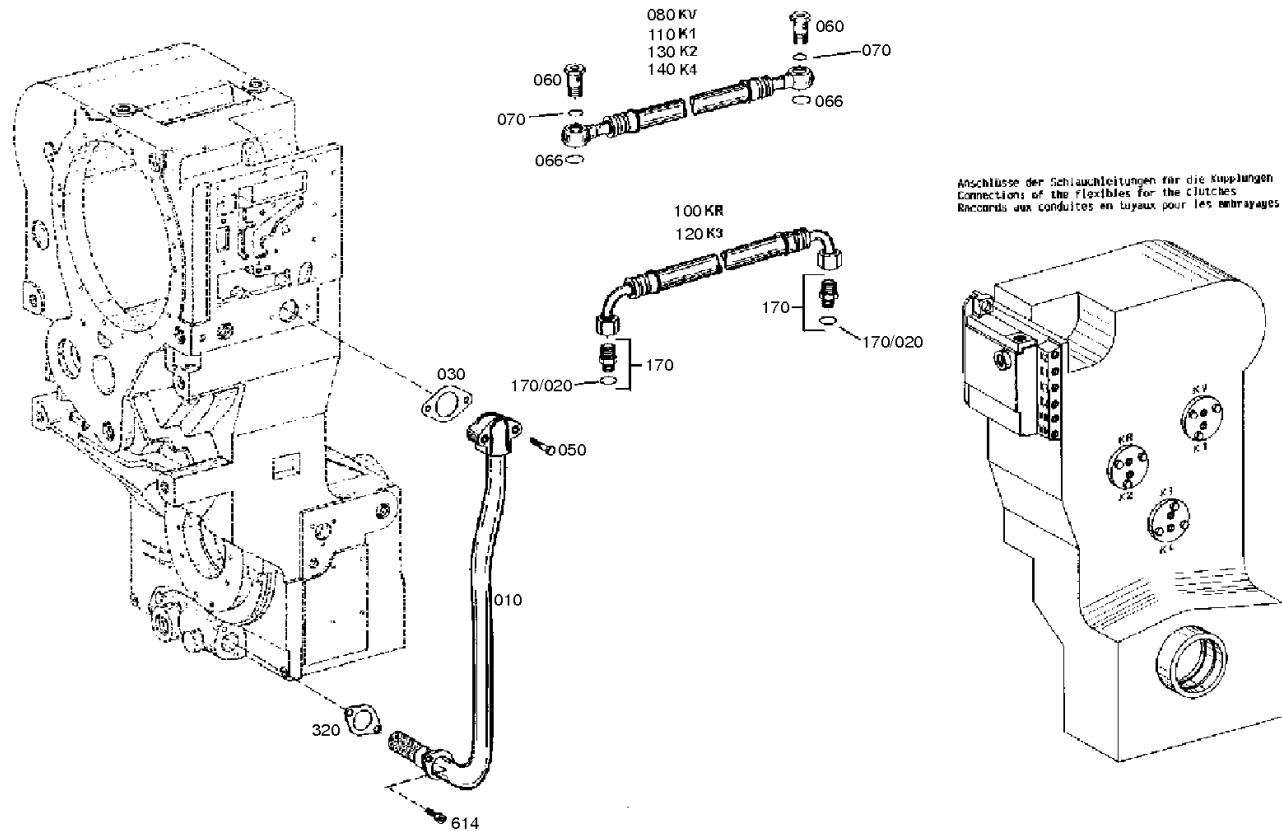
Material number: 4644.024.146

Plate: 464412115030

Material-assembly-group-no: 4644.121.150

4 WG 200(555/5) /

OIL PIPE



Parts list

Page 1 from 1

Material number: 4644.024.146

4 WG 200(555/5) /

Plate: 464412115030

Material-assembly-group-no: 4644.121.150



Pos.	Material number	Customer material	Name	Quantity	ME	Amend. no.	Techn. Info.	Weight	Rep kit	Alternative material
10	4644.221.196	1000005832	SUCTION TUBE	1		K01166/9810		1,880		
30	4644.321.244	1000005833	GASKET	1				2,010		
50	0636.010.089	00553562	HEXAGON BOLT	2			M8X50	0,022		
60	0737.835.153	1000000930	UNION SCREW	8			M16X1,5 IN 0737 835 155(1)	45		
66	0634.306.202	1000000284	O-RING	8			18X2,5	1		
70	0634.306.523	1000000291	O-RING	8			13X2	0,200		
80	0750.147.257		HOSE PIPE	1				280		
100	0750.147.208	MX252449	HOSE PIPE	1				0,188		
110	0750.147.257		HOSE PIPE	1				280		
120	0750.147.036	00655265	HOSE PIPE	1				0,248		
130	0750.147.117	1000001005	HOSE PIPE	1				0,250		
140	0750.147.117	1000001005	HOSE PIPE	1				0,250		
170	---		SCREW-IN SLEEVE	4			L12 AM KPL.MIT O-RING	45		
/20	0634.306.523	1000000291	O-RING	1			13X2	0,200		
320	4642.331.216	00553563	GASKET	1				0,001		
614	0636.101.031	1000002523	CAP SCREW	2			M8X30	15		

Plant

Page 1 from 1

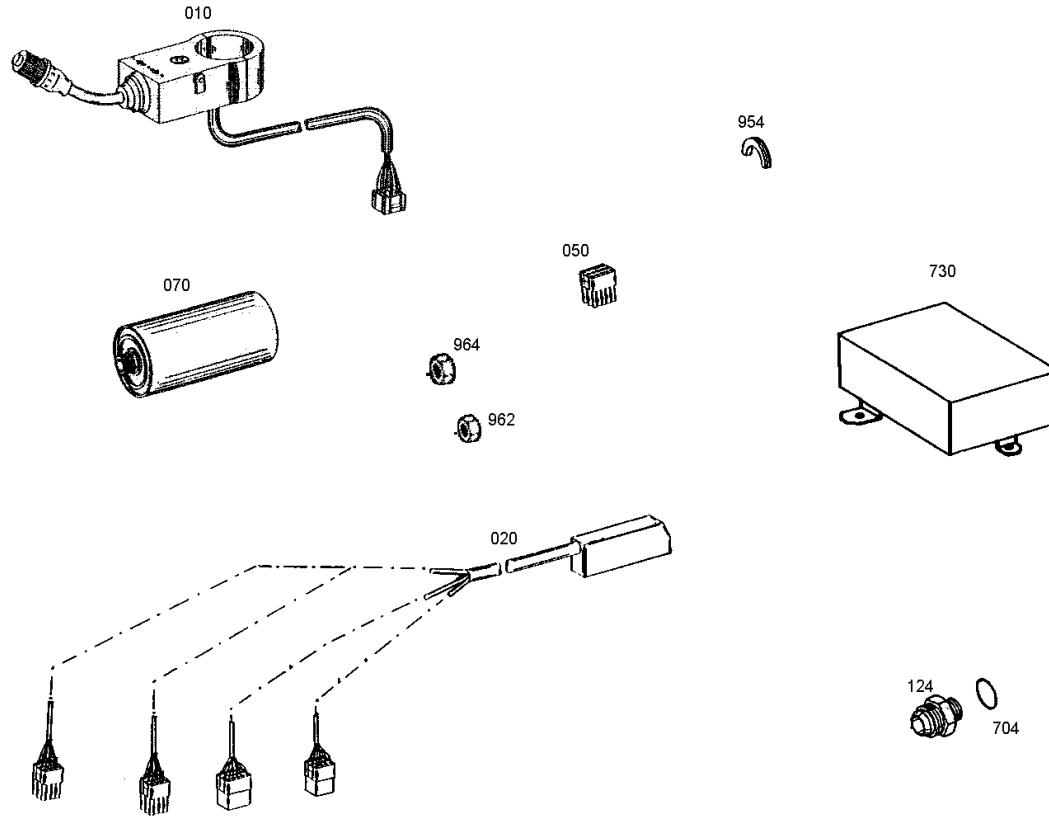
Material number: 4644.024.146

Plate: 464219907600

Material-assembly-group-no: 4642.199.379

4 WG 200(555/5) /

LOOSE PARTS



Parts list

Page 1 from 1

Material number: 4644.024.146

4 WG 200(555/5) /

Plate: 464219907600

Material-assembly-group-no: 4642.199.379



Pos.	Material number	Customer material	Name	Quantity	ME	Amend. no.	Techn. Info.	Weight	Rep kit	Alternative material
10	0501.216.205	SA 8320-00710	RANGE SELECTOR	1			KPL.	1,290		
20	6029.204.859	SA 8320-19860	CABLE GENERAL	1			EST-17T	1,520		
50	6029.199.005	00516489	PLUG KIT	1			STECKER 15POL M-N-L BU	20		
/110	6029.201.042		PLUG	1			15POL BU MNL	0,000		
70	0750.131.053	507419015	EXCHANGE FILTER	2		K02160/9910		0,938		
124	0737.843.077	999002489	SCREW-IN SLEEVE	2				135		
704	0634.303.283	A52149	O-RING	2			27X2,5	1		
730	6057.008.011		EST 117	1				0,700		
954	0501.315.760	8052587	SEGMENT	4			DW-3	10		
962	0637.011.539	A52233	HEXAGON NUT	8			M12X1,5	0,010		
964	0637.011.540	551257	HEXAGON NUT	8			M14X1,5	0,023		