



Spare Parts Catalog

16 AS 2601 IT

Material number: 1328.040.024

1328.001.049 / 6085.020.028



Pos.	Information	Amendment number
A10	CUSTOMER:IVECO-M	
A10	COUNTRY:D	
A10	CITY:ULM	
A14	CUST.SPEC.NO: CODE:	
A86	RELEASE:CLEANNESS 20/16 *ZFN 5015	
A90	RELEASE:FIRST INSTALLATION CHECK NECESSARY	
F52	OUTP.FLANGE RA:OD=180 *NH= 4 *D=15,0	
F52	L=109,5	
G50	AUXILIARY UNITS:IT ASTRONIC *	3759D
G50	REDUCTION DEVICE	3759D
G64	HEAT EXCHANGER:BACK LEFT *WITH	
M00	DRAWING:	
M02	INSTALLATION: 1328 600 032	
M50	ASSEMBLY INSTRUCTIONS:	
M52	TESTING:ENGAGE HIGH GEAR AFTER FUNC.TEST	
M54	INSPECTION PROGRAM:16G.DD	
M90	OIL CAPACITY:EX WORKS * 23,00L GEARBOX	
M92	OIL GRADE ACC.TO ZF:TE-ML02	
M94	MASS : APPRX. 340,0 KG	
M96	PAINT :BLACK-GREY RAL7021 *ZFN	
M96	SPECIFICATION	
M98	PRESERVATION : KA1 T/KI1/S13*ZFN 916	
Q50	QUALITY INSTRUCTION:	4880B
Q52	TESTING:GETRIEBE KPL/INTARDER 1Q49 154 907	9003B

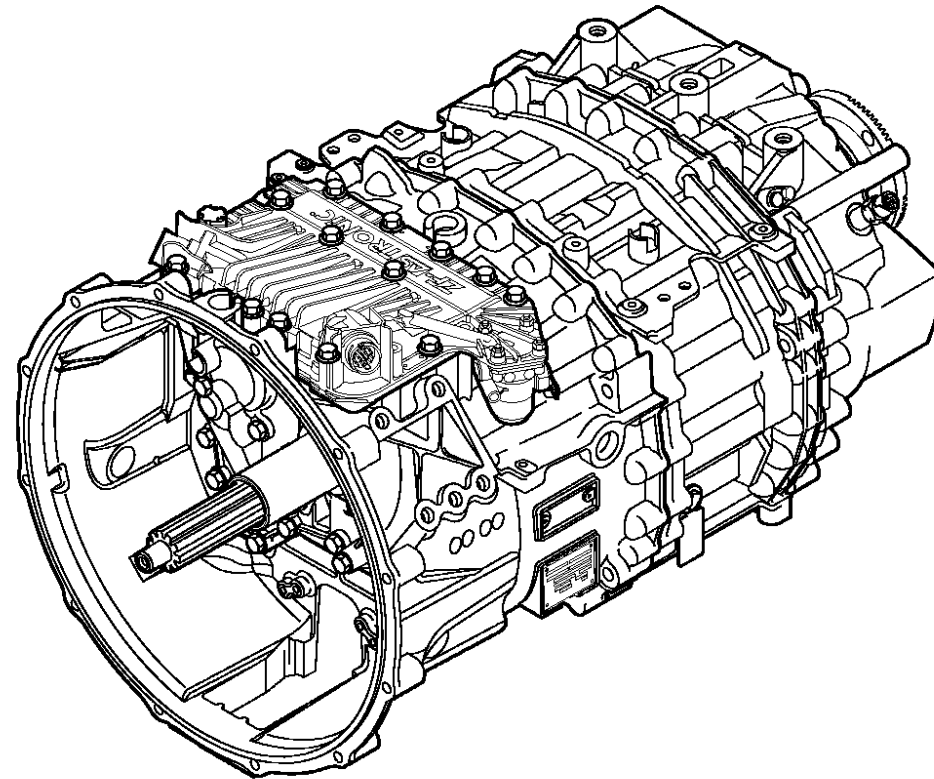


Graphics	Pos.	Material number	Name	VKF	Amend. no.	Amend. start	Prod. no.	Material feature / tech. info.	ID
105.a1.01	910	1328.001.049	16 AS TD/TO	1		00.00.0000			0
105.a3.01	922	6085.020.028	IT ASTRONIC	1		00.00.0000		WT-ANGEFL*RED	0
105.b3.01	916	6009.074.031	GS 3	1		00.00.0000		16G*IVECO	0
105.b9	924	6085.177.097	ACCESSORIES	1		00.00.0000		ITAS*WT LI*BAJ*LZ=4	0
105.c1	998	6009.374.278	INSPECT.PROGRAM	1		00.00.0000			4

VKF Incidence factor

ID Identification (output code)

Material number: 1328.040.024 16 AS 2601 IT /
Plant: 105.a1.01 16 AS TD/TO
Material-assembly-group-no: 1328.001.049



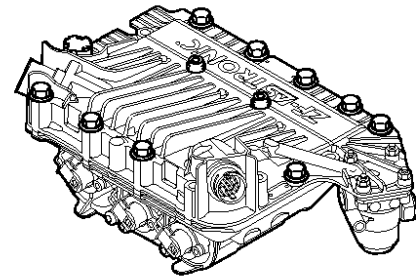
Plant Page 1 from 1

Material number: 1328.040.024 16 AS 2601 IT /
Plant: 105.a3.01 IT ASTRONIC
Material-assembly-group-no: 6085.020.028



There is presently no plate available for this parts list/ assembly.

Material number: 1328.040.024 16 AS 2601 IT /
Plant: 105.b3.01 GS 3
Material-assembly-group-no: 6009.074.031





Pos.	Material number	Name	VKF	Amend. no.	Amend. start	Prod. no.	Material feature / tech. info.	OTK	External material no.	ID	Weight	SP
	6009.374.278	INSPECT.PROGRAM	1		00.00.0000					4	0,000	

VKF Incidence factor

OTK Optional technical kit

ID Identification (output code)

SP Supplier plant



Pos.	Information	Amendment number
A10	CUSTOMER:AT FINAL PRODUCT	
A10	COUNTRY:	
A14	CUST.SPEC.NO:AT FINAL PRODUCT	
F06	INSTAL.POSITION: *FLANGE MOUNTED*	
F10	RATIO: 17,03- 1,00 *DG	
F10	GEARING:HELICAL GEAR	
F10	17,03*14,12*11,50* 9,54* 7,86* 6,52* 5,51	
F10	4,57* 3,73* 3,01* 2,52* 2,01* 1,72* 1,43	
F10	1,21* 1,00 *R1=15,77*R2=13,07	
F28	GP-POSITION NEUTRAL:MECHANICAL *WITHOUT	
F34	CONTROL:SFI *	
F38	SEPARAT.CLUTCH: AUTOMATED DOG CLUTCH VERS.	
F40	INPUT SHAFT : L=117,0*SAE 10C 2 INCH	
F40	JOURNAL:D=25 F7*SHAFT:D=50,30*BUSH:WITHOUT	
F44	ENGINE CONNECTION: SAE 1 *CENTERING D= 511,175	
F44	NH= 12*D= 11,0	
F46	REL.BRG.CARRIER:L=- 23,3 D= 62,611	
G32	SWITCH: NG*OPENING *	
G32	PROTECTING CAP:WITH *	
G32		
G50	POSITION DELETED	3694D
G60	AUXILIARY UNITS/ACCESSORIES	
G78	RELEASE BRG:WITHOUT	
G78	PRESSING ROD:WITH *LEVER:WITH	
H50	ELECTRONIC:	
H58	POSITION DELETED	
H78	PULSE TRANSMITTER SFI:IMP/U 8,14	
H78	TRANSMITTER:WITH *PROTECTING CAP:WITH	
H80	PULSE TRANSMITTER TACHO:IMP/U 8,14 *	
H80	TRANSMIT:WITH *IT *PROTECT.CAP:WITH	



Pos.	Information	Amendment number
H80	BAYONET *	
H80	VERSION:KITAS II *	
H80	ADR-PROTECTED EXPLOSION	
M00	DRAWING:	
M14	SECTION: 1328 192 002	
M16	SECTION: 1328 030 026	

Assembly group overview

Page 1 from 1

Material number: 1328.001.049

16 AS 2601 IT /



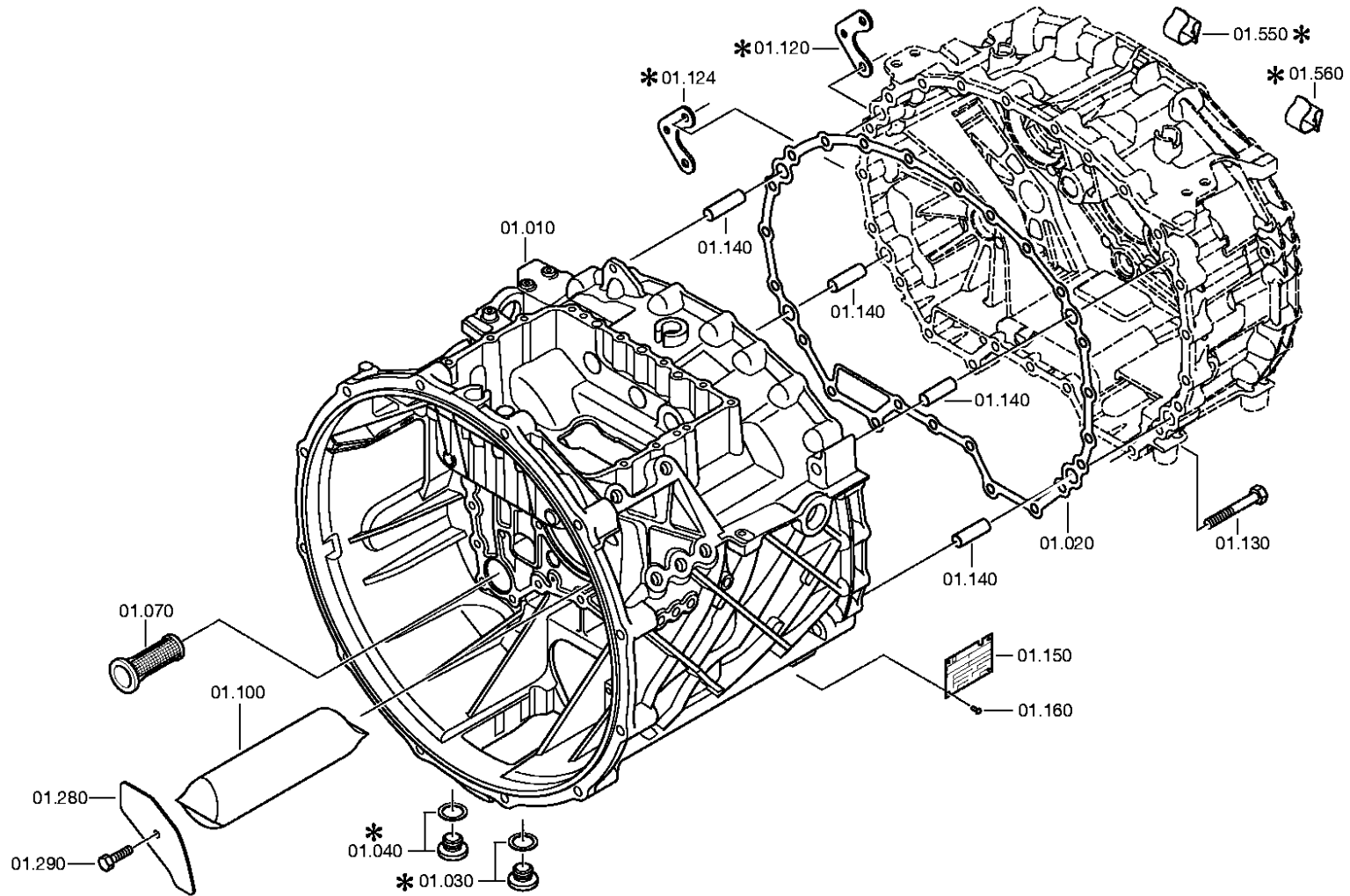
Graphics	Pos.	Material number	Name	VKF	Amend. no.	Amend. start	Prod. no.	Material feature / tech. info.	ID
105.01.05	120	1328.101.816	GEARBOX HOUSING	1	9723D	..		GEH.I GD*2 BOH.LINKS	3
105.01.42	110	1328.101.015	GEARBOX HOUSING	1		00.00.0000		GEH.II*LASCHE	3
105.02.03	010	1328.102.013	INPUT SHAFT	1		00.00.0000		DG*L=117*D=25*VORSERIE	3
105.02.03	140	1328.102.403	CONN.PLATE	1		00.00.0000		GD	3
105.02.03	150	1328.102.804	CONN.PLATE	1		00.00.0000			3
105.03.01	020	1328.103.009	LAYSHAFT	1	4730C	..		DG*24 GRAD VERZAHNUNG	3
105.03.01	180	1328.103.803	BRAKE	1		00.00.0000		RASTEN*GRO	3
105.04.02	030	1328.104.010	MAIN SHAFT	1	9189C	..		24 GRAD VERZAHNUNG	3
105.05.01	220	1328.105.005	RETURN	1	4730C	..		SEGMENTIERUNG*2501	3
105.06.10	230	1328.106.004	GEARSHIFT SYST.	1	4697C	..			3
105.06.10	234	1328.106.401	CONN.PARTS	1		00.00.0000		NG-SCHALTER	3
105.06.10	240	1328.106.803	GEARSHIFT SYST.	1		00.00.0000			3
105.40.05	500	1328.112.004	GV-SHIFT SYSTEM	1		00.00.0000		LOS 3 AB 99*VORSERIE	3
105.43.04	010	1314.131.023	GP HOUSING	1		00.00.0000		IT*DRUCKGUSS	3
105.43.04	020	1328.131.405	CLOSING COMPON.	1		00.00.0000		NA-OEFFNUNG * IT	3
105.43.04	580	1328.131.802	GP HOUSING	1	9723D	..			3
105.43.04	590	1328.131.428	CONN.PARTS	1		00.00.0000		I=8,14*IT*GETR.DINBAJ.OBEN	3
105.44.01	030	1328.132.008	PLANETARY DRIVE	1		00.00.0000		IT	3
105.44.01	600	1328.132.803	PLANETARY DRIVE	1		00.00.0000			3
105.45.01	050	1328.133.003	SYNCHRONIZER	1		00.00.0000			3
105.46.03	060	1328.134.007	GP SHIFT SYSTEM	1		00.00.0000			3
105.93.03	300	1328.168.012	CL.RELEASE DEV.	1	8814E	..		O.AUSRUECKER*NOGGENGABEL	3
105.93.88	050	1328.168.841	CL.RELEASE DEV.	1	6602B	..		AS2*LOSE POS	3

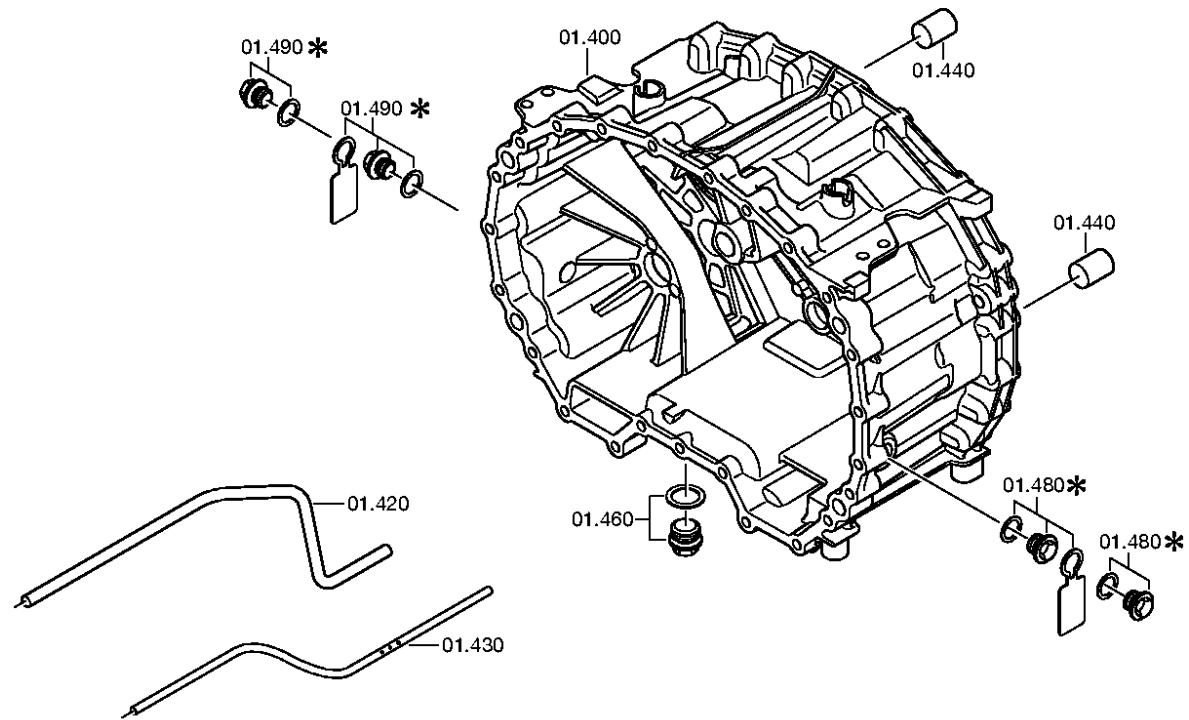
VKF Incidence factor

ID Identification (output code)

© All rights reserved by ZF Friedrichshafen AG, even in the event of applications for copyright. We hold all rights of disposal, such as the right to copy and disseminate.
For information only, not subject to the amendment service.

06.08.2007







Pos.	Material number	Name	VKF	Amend. no.	Amend. start	Prod. no.	Material feature / tech. info.	OTK	External material no.	ID	Weight	SP
010	---	HOUSING I	1	8814E				3	0,000	
	1328.301.119	HOUSING	1		00.00.0000		IN 1328 301 116(0)			4	0,000	
	1328.301.111	HOUSING	1		00.00.0000		IN 1328 301 108(0)			4	0,000	
020	0501.321.442	GASKET	1		00.00.0000		*4200F-07TE0501.324.367			4	0,000	
030	---	SCREW PLUG	1		00.00.0000		M22X1,5 * 50N.M* DICHRING			3	0,000	
	0636.302.045	SCREW PLUG	1		00.00.0000		DIN 908 M 22X1,5			4	0,000	
	0730.009.515	SEALING RING	1		00.00.0000		A22X27 IN 0730 008 636(2)			4	0,002	
040	---	SCREW PLUG	1		00.00.0000		M22X1,5 * 50N.M* DICHRING			3	0,000	
	0730.009.515	SEALING RING	1		00.00.0000		A22X27 IN 0730 008 636(2)			4	0,002	
	0636.302.045	SCREW PLUG	1		00.00.0000		DIN 908 M 22X1,5			4	0,000	
070	0501.318.802	SCREEN INSERT	1		00.00.0000					4	0,017	
100	1328.301.011	BREATHER	1		00.00.0000					4	0,030	
130	---	HEXAGON SCREW	24		00.00.0000		M10X60Z1 DIN933A/10. 9A3CSM			3	0,000	
	0636.015.601	HEXAGON SCREW	24		00.00.0000		DIN 933 ALT M 10 X 60 Z			4	0,000	
140	0731.201.563	CYLINDRICAL PIN	4		00.00.0000		IN 0731 201 458()			4	0,130	
150	0730.365.241	TYPE PLATE	1		00.00.0000		EINHEITSSCH. VERDREHSICHER			4	0,000	
160	0731.101.047	BLIND RIVET	4		00.00.0000		*4173F-07TE0731.101.049			4	0,001	
280	1328.301.009	COVER	1		00.00.0000					4	0,128	
290	---	HEXAGON SCREW	1		00.00.0000		M8X20 ISO4017/8.8 A3C			3	0,000	
	0636.015.299	HEXAGON SCREW	1		00.00.0000		ISO 4017 M 8 X 20			4	0,000	
400	1328.301.091	HOUSING	1	7679E	GEHAEUSE LANG			4	0,000	
420	1328.201.016	SPRAY TUBE	1		00.00.0000		KPL.			4	0,193	
430	1328.301.044	SPRAY TUBE	1		00.00.0000					4	0,087	
440	0731.201.700	PIN	2		00.00.0000					4	0,465	
460	---	SCREW PLUG	1		00.00.0000		M24X1,5 * 60N.M* DICHRING			3	0,000	
	0736.305.070	SCREW PLUG	1		00.00.0000		ENTHALT.IN 0736 305 041(2)			4	0,080	
	0730.008.637	SEALING RING	1		00.00.0000		A24X29 IN 0730 008 636(2)			4	0,003	
480	---	SCREW PLUG	1		00.00.0000		M24X1,5 * 60N.M* DICHRING			3	0,000	

VKF Incidence factor

OTK Optional technical kit

ID Identification (output code)

SP Supplier plant



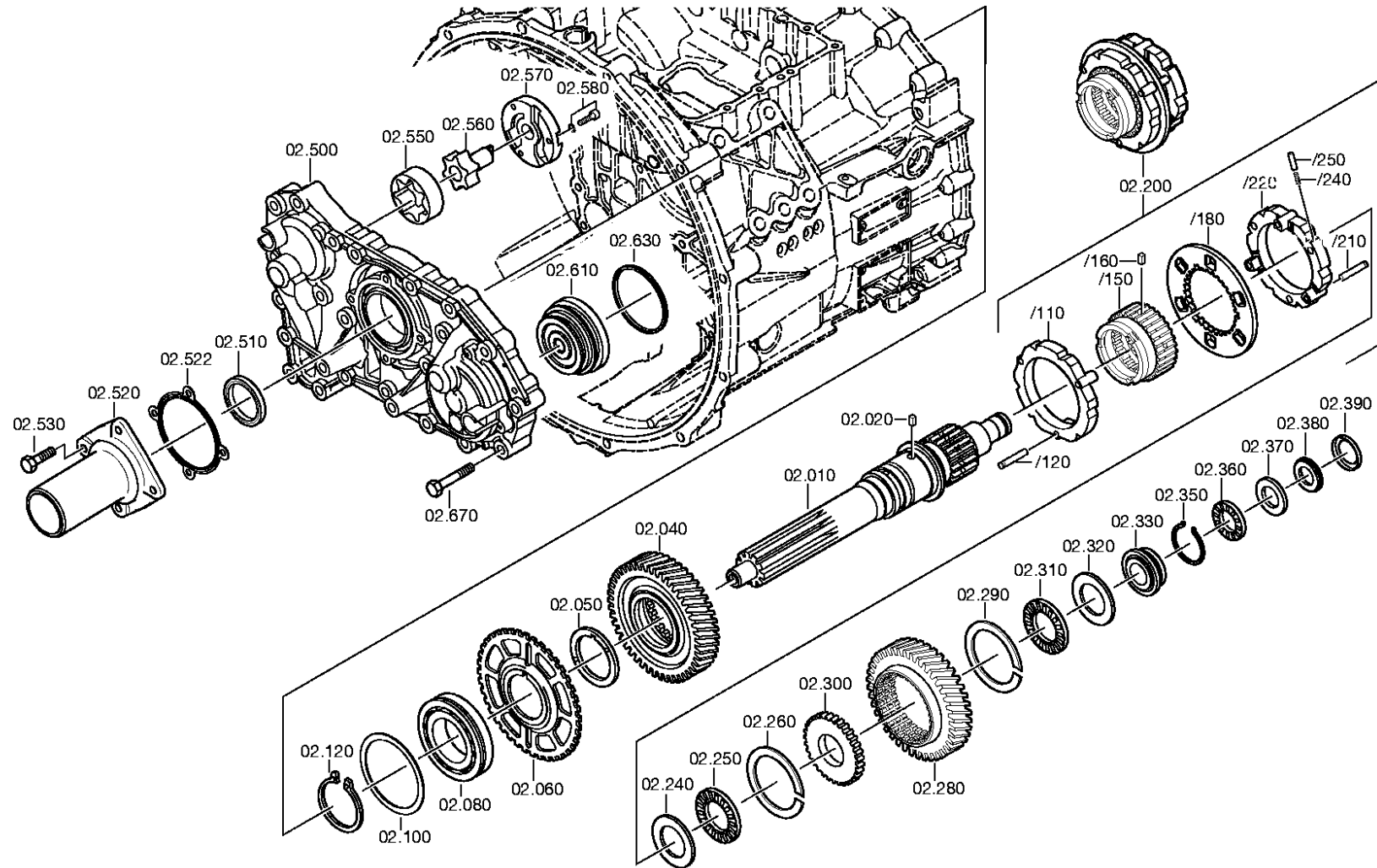
Pos.	Material number	Name	VKF	Amend. no.	Amend. start	Prod. no.	Material feature / tech. info.	OTK	External material no.	ID	Weight	SP
	0636.304.049	SCREW PLUG	1		00.00.0000		DIN 910 M 24X1,5			4	0,000	
	0730.008.637	SEALING RING	1		00.00.0000		A24X29 IN 0730 008 636(2)			4	0,003	
490	---	SCREW PLUG	1		00.00.0000		M24X1,5 * 60N.M* DICHTRING			3	0,000	
	0636.304.049	SCREW PLUG	1		00.00.0000		DIN 910 M 24X1,5			4	0,000	
	0730.008.637	SEALING RING	1		00.00.0000		A24X29 IN 0730 008 636(2)			4	0,003	

VKF Incidence factor

OTK Optional technical kit

ID Identification (output code)

SP Supplier plant





Pos.	Material number	Name	VKF	Amend. no.	Amend. start	Prod. no.	Material feature / tech. info.	OTK	External material no.	ID	Weight	SP
010	1328.302.077	INPUT SHAFT	1	0283B	IN 1328 302 076(0)			4	7,900	
020	1328.302.072	PIN	1		00.00.0000		ENTHALT.IN 1328 302 073(2)			4	0,300	
040	1328.302.062	HELICAL GEAR	1		00.00.0000		KONST.1			4	2	
050	0730.110.392	THRUST WASHER	1		00.00.0000		A=6,00			4	0,104	
060	1328.302.024	COUNTING DISC	1		00.00.0000					4	0,469	
080	0750.116.365	BALL BEARING	1	0283B	WTB 65,0X120,0X23,0			4	1,021	
100	---	WASHER	1		00.00.0000		WTB 0730 008 519(2)			3	0,000	
	0730.008.529	SHIM	1		00.00.0000		A=1,85			4	0,032	
	0730.008.521	SHIM	1		00.00.0000		A=1,45			4	0,025	
	0730.008.528	SHIM	1		00.00.0000		A=1,80			4	0,033	
	0730.008.522	SHIM	1		00.00.0000		A=1,50			4	0,027	
	0730.008.527	SHIM	1		00.00.0000		A=1,75			4	0,031	
	0730.008.523	SHIM	1		00.00.0000		A=1,55			4	0,027	
	0730.008.526	SHIM	1		00.00.0000		A=1,70			4	0,030	
	0730.008.524	SHIM	1		00.00.0000		A=1,60			4	0,028	
	0730.008.525	SHIM	1		00.00.0000		A=1,65			4	0,029	
	0730.008.520	SHIM	1		00.00.0000		A=1,40			4	0,025	
	0730.008.532	SHIM	1		00.00.0000		A=2,00			4	0,037	
	0730.008.530	SHIM	1		00.00.0000		A=1,90			4	0,035	
	0730.008.531	SHIM	1		00.00.0000		A=1,95			4	0,034	
120	---	RETAINING RING	1	0283B	WTB 0730 501 232(2)			3	0,032	
	0730.501.597	RETAINING RING	1		00.00.0000		A=3,65			4	0,030	
	0730.501.360	RETAINING RING	1		00.00.0000		A=4,00			4	0,032	
	0730.501.596	RETAINING RING	1		00.00.0000		A=3,60			4	0,028	
	0730.501.354	RETAINING RING	1		00.00.0000		A=3,70			4	0,030	
	0730.501.589	RETAINING RING	1		00.00.0000		A=3,25			4	0,027	
	0730.501.590	RETAINING RING	1		00.00.0000		A=3,30			4	0,027	
	0730.501.355	RETAINING RING	1		00.00.0000		A=3,75			4	0,030	
	0730.501.359	RETAINING RING	1		00.00.0000		A=3,95			4	0,032	
	0730.501.591	RETAINING RING	1		00.00.0000		A=3,35			4	0,027	
	0730.501.595	RETAINING RING	1		00.00.0000		A=3,55			4	0,028	
	0730.501.592	RETAINING RING	1		00.00.0000		A=3,40			4	0,030	
	0730.501.356	RETAINING RING	1		00.00.0000		A=3,80			4	0,031	
	0730.501.358	RETAINING RING	1		00.00.0000		A=3,90			4	0,031	

VKF Incidence factor

OTK Optional technical kit

ID Identification (output code)

SP Supplier plant



Pos.	Material number	Name	VKF	Amend. no.	Amend. start	Prod. no.	Material feature / tech. info.	OTK	External material no.	ID	Weight	SP
	0730.501.594	RETAINING RING	1		00.00.0000		A=3,50			4	0,027	
	0730.501.357	RETAINING RING	1		00.00.0000		A=3,85			4	0,030	
	0730.501.593	RETAINING RING	1		00.00.0000		A=3,45			4	0,028	
200	1328.202.040	SYNCHRONIZER	1	3545D	KPL.DD			3	0,000	
/110	1328.302.084	SYNCHRO.RING	1		00.00.0000		IN 1328 302 083(0)			4	0,000	
/120	0731.201.698	PIN	3		00.00.0000		ENTHALT.IN 0731 201 697(2)			4	0,023	
/150	1328.302.064	G.SHIFT SLEEVE	1		00.00.0000					4	1	
/160	1328.302.072	PIN	1		00.00.0000		ENTHALT.IN 1328 302 073(2)			4	0,300	
/180	1328.302.132	PLATE	1	7093E				4	0,000	
/210	0731.201.699	PIN	3		00.00.0000		ENTHALT.IN 0731 201 697(2)			4	0,018	
/220	1328.302.085	SYNCHRO.RING	1		00.00.0000		IN 1328 302 083(0)			4	0,000	
/240	0732.040.385	COMPR.SPRING	3		00.00.0000					4	0,000	
/250	0635.470.046	CYL.ROLLER	3		00.00.0000		DIN 5402 7 X10			4	0,000	
240	0730.111.066	WASHER	1		00.00.0000					4	0,074	
250	0735.321.487	AX.NEEDLE CAGE	1		00.00.0000		43,0X73,0X8,0			4	0,077	
260	0730.513.973	SNAP RING	1	0695D	A=2,50 IN 0730 514 005(2)			4	0,018	
280	1328.304.044	HELICAL GEAR	1		00.00.0000		KONST.2			4	2,078	
290	---	RETAINING RING	1	0881E	WTB 0730 514 005()			3	0,000	
	0730.514.008	SNAP RING	1		00.00.0000		A=2,65 IN 0730 514 005(2)			4	0,000	
	0730.514.007	SNAP RING	1		00.00.0000		A=2,60 IN 0730 514 005(2)			4	0,000	
	0730.514.009	SNAP RING	1		00.00.0000		A=2,70 IN 0730 514 005(2)			4	0,000	
	0730.514.006	SNAP RING	1		00.00.0000		A=2,55 IN 0730 514 005(2)			4	0,000	
	0730.514.010	SNAP RING	1		00.00.0000		A=2,75 IN 0730 514 005(2)			4	0,000	
	0730.513.973	SNAP RING	1		00.00.0000		A=2,50 IN 0730 514 005(2)			4	0,018	
	0730.514.011	SNAP RING	1		00.00.0000		A=2,80 IN 0730 514 005(2)			4	0,000	
300	1328.302.061	BEARING DISC	1		00.00.0000					4	0,453	
310	0735.321.487	AX.NEEDLE CAGE	1		00.00.0000		43,0X73,0X8,0			4	0,077	
320	0730.111.066	WASHER	1		00.00.0000					4	0,074	
330	1328.302.075	BEARING RING	1	7933A				4	0,260	
350	0730.513.641	RETAINING RING	1		00.00.0000		A=2,00			4	0,006	
360	0735.321.381	AX.ROLLER CAGE	1		00.00.0000		30,0X52,			4	0,036	
370	0730.109.641	WASHER	1		00.00.0000		A=5,00			4	0,054	
380	1328.202.038	SPLIT RING	1	3205D	KPL.			4	0,000	
390	0730.063.258	RETAINING RING	1		00.00.0000		A=5,90			4	0,008	

VKF Incidence factor

OTK Optional technical kit

ID Identification (output code)

SP Supplier plant

Parts list
Page 3 from 3

Material number: 1328.001.049 16 AS 2601 IT /
Plant: 105.02.03
Material-assembly-group-no: 1328.102.013



Pos.	Material number	Name	VKF	Amend. no.	Amend. start	Prod. no.	Material feature / tech. info.	OTK	External material no.	ID	Weight	SP
500	1328.302.096	CONN.PLATE	1		00.00.0000					4	3,480	
510	---	SHAFT SEAL	1		00.00.0000		55X70X8			3	0,000	
	0750.111.348	SHAFT SEAL	1		00.00.0000		WTB 55X70X8			4	0,024	
520	1314.302.096	RELEASE FLANGE	1		00.00.0000		IN 1328 302 107(1)			4	1,124	
522	0501.321.451	GASKET	1	4201E				4	0,000	
530	---	HEXAGON SCREW	4		00.00.0000		M8X25 ISO4017/8.8 A3C			3	0,000	
	0636.015.257	HEXAGON SCREW	4		00.00.0000		ISO 4017 M 8 X 25			4	0,000	
550	1315.303.027	ROTOR	1		00.00.0000		AUSSEN			4	0,314	
560	1314.202.039	PUMP SHAFT	1		00.00.0000		KPL.			4	0,318	
570	1314.302.138	PUMP COVER	1		00.00.0000					4	0,188	
580	---	TORX SCREW	3		00.00.0000		M6X25			3	0,000	
	0736.101.051	TORX SCREW	3		00.00.0000		M6X25			4	0,008	
610	1328.202.024	PISTON	1		00.00.0000		KPL.			4	0,268	
630	0501.318.282	U-RING	1		00.00.0000		71,7X6,5*BRUSS			4	0,017	
670	---	HEXAGON SCREW	22	5879C	M10X60Z1DIN933ALT/10.9 A3C			3	0,000	
	0636.015.593	HEXAGON SCREW	22		00.00.0000		DIN 933 ALT M 10 X 60 Z			4	0,000	

VKF Incidence factor

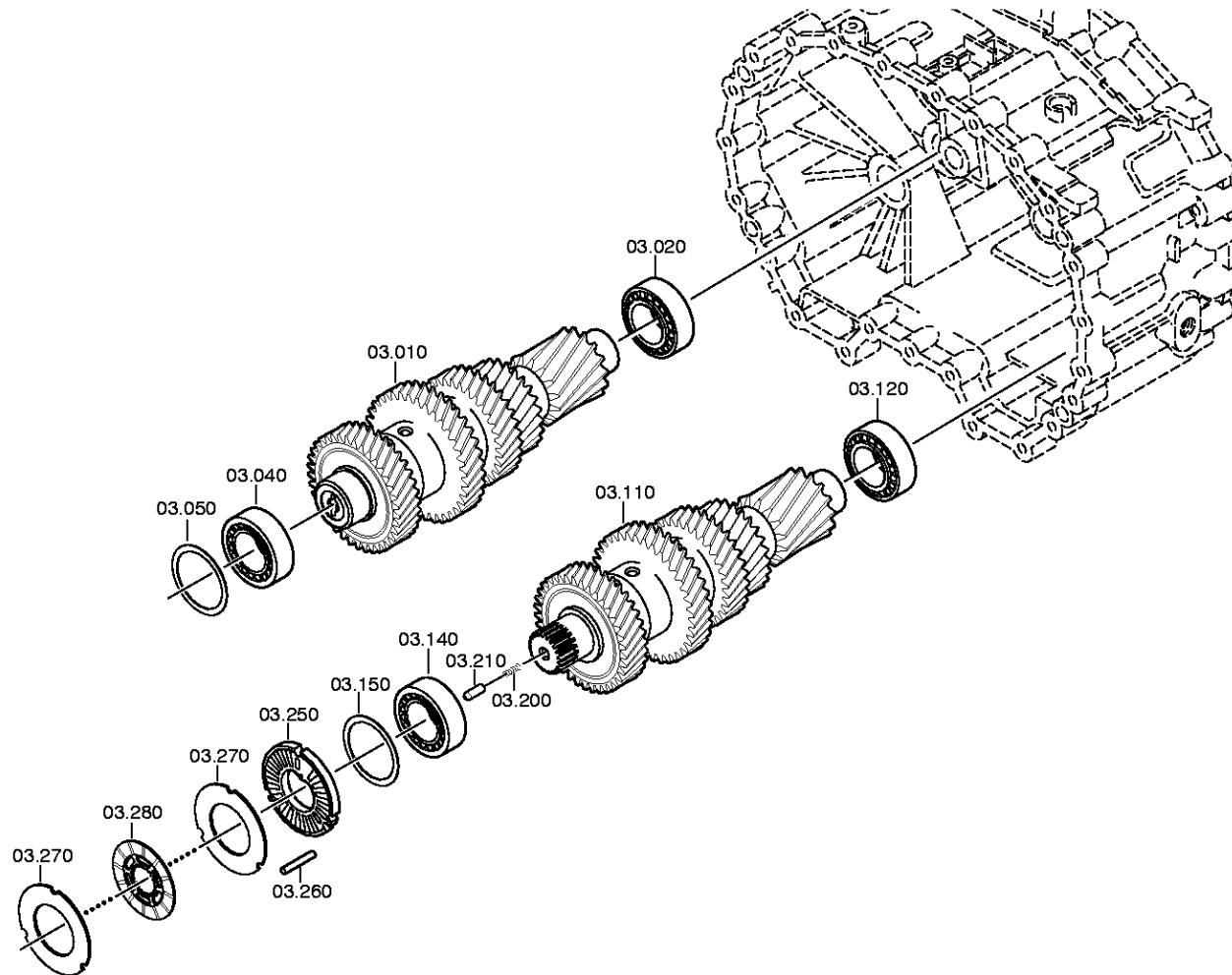
OTK Optional technical kit

ID Identification (output code)

SP Supplier plant

© All rights reserved by ZF Friedrichshafen AG, even in the event of applications for copyright. We hold all rights of disposal, such as the right to copy and disseminate.
For information only, not subject to the amendment service.

06.08.2007





Pos.	Material number	Name	VKF	Amend. no.	Amend. start	Prod. no.	Material feature / tech. info.	OTK	External material no.	ID	Weight	SP
010	1328.203.049	LAYSHAFT	1		00.00.0000		KPL.PUMPIN 1328 203 048(0)			4	24,066	
020	0750.117.640	TA.ROLL.BEARING	1		00.00.0000		WTB 50,0X90,0X28,0			4	0,748	
040	0750.117.640	TA.ROLL.BEARING	1		00.00.0000		WTB 50,0X90,0X28,0			4	0,748	
050	---	SHIM	1		00.00.0000		WTB 0730 005 413(2)			3	0,000	
	0730.005.817	SHIM	1		00.00.0000		A=1,85			4	0,000	
	0730.008.297	SHIM	1		00.00.0000		A=2,55			4	0,029	
	0730.008.053	SHIM	1		00.00.0000		A=1,90			4	0,000	
	0730.008.296	SHIM	1		00.00.0000		A=2,50			4	0,000	
	0730.001.009	SHIM	1		00.00.0000		A=2,00			4	0,000	
	0730.008.295	SHIM	1		00.00.0000		A=2,45			4	0,000	
	0730.008.154	SHIM	1		00.00.0000		A=1,95			4	0,000	
	0730.008.294	SHIM	1		00.00.0000		A=2,40			4	0,000	
	0730.007.783	SHIM	1		00.00.0000		A=2,05			4	0,000	
	0730.008.293	SHIM	1		00.00.0000		A=2,35			4	0,000	
	0730.008.292	SHIM	1		00.00.0000		A=2,30			4	0,000	
	0730.007.784	SHIM	1		00.00.0000		A=2,10			4	0,000	
	0730.007.787	SHIM	1		00.00.0000		A=2,25			4	0,000	
	0730.007.786	SHIM	1		00.00.0000		A=2,20			4	0,000	
	0730.007.785	SHIM	1		00.00.0000		A=2,15			4	0,000	
	0730.008.298	SHIM	1		00.00.0000		A=2,60			4	0,031	
	0730.008.052	SHIM	1		00.00.0000		A=1,80			4	0,000	
	0730.008.302	SHIM	1		00.00.0000		A=2,75			4	0,031	
	0730.008.299	SHIM	1		00.00.0000		A=2,65			4	0,031	
	0730.008.051	SHIM	1		00.00.0000		A=1,70			4	0,000	
	0730.008.303	SHIM	1		00.00.0000		A=2,80			4	0,033	
	0730.005.816	SHIM	1		00.00.0000		A=1,75			4	0,000	
	0730.008.301	SHIM	1		00.00.0000		A=2,70			4	0,031	
110	1328.203.051	LAYSHAFT	1		00.00.0000		KPL.BREMEN 1328 203 047(0)			4	24,985	
120	0750.117.640	TA.ROLL.BEARING	1		00.00.0000		WTB 50,0X90,0X28,0			4	0,748	
140	0750.117.640	TA.ROLL.BEARING	1		00.00.0000		WTB 50,0X90,0X28,0			4	0,748	
150	---	SHIM	1		00.00.0000		WTB 0730 005 413(2)			3	0,000	
	0730.007.784	SHIM	1		00.00.0000		A=2,10			4	0,000	
	0730.007.785	SHIM	1		00.00.0000		A=2,15			4	0,000	
	0730.005.816	SHIM	1		00.00.0000		A=1,75			4	0,000	

VKF Incidence factor

OTK Optional technical kit

ID Identification (output code)

SP Supplier plant



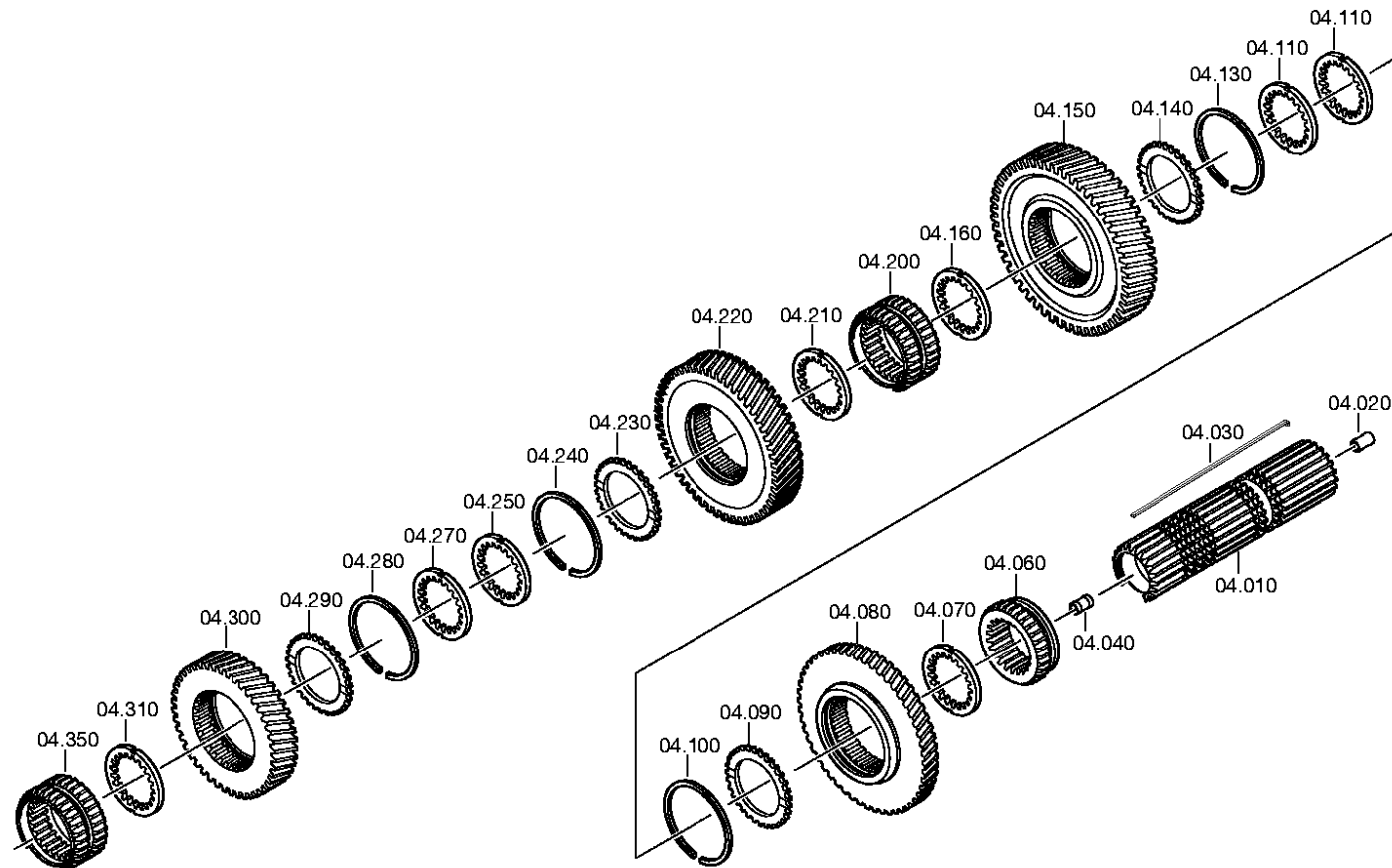
Pos.	Material number	Name	VKF	Amend. no.	Amend. start	Prod. no.	Material feature / tech. info.	OTK	External material no.	ID	Weight	SP
	0730.007.783	SHIM	1		00.00.0000		A=2,05			4	0,000	
	0730.008.154	SHIM	1		00.00.0000		A=1,95			4	0,000	
	0730.008.052	SHIM	1		00.00.0000		A=1,80			4	0,000	
	0730.001.009	SHIM	1		00.00.0000		A=2,00			4	0,000	
	0730.005.817	SHIM	1		00.00.0000		A=1,85			4	0,000	
	0730.008.053	SHIM	1		00.00.0000		A=1,90			4	0,000	
	0730.008.301	SHIM	1		00.00.0000		A=2,70			4	0,031	
	0730.008.299	SHIM	1		00.00.0000		A=2,65			4	0,031	
	0730.008.298	SHIM	1		00.00.0000		A=2,60			4	0,031	
	0730.008.297	SHIM	1		00.00.0000		A=2,55			4	0,029	
	0730.008.302	SHIM	1		00.00.0000		A=2,75			4	0,031	
	0730.008.296	SHIM	1		00.00.0000		A=2,50			4	0,000	
	0730.008.303	SHIM	1		00.00.0000		A=2,80			4	0,033	
	0730.008.295	SHIM	1		00.00.0000		A=2,45			4	0,000	
	0730.008.051	SHIM	1		00.00.0000		A=1,70			4	0,000	
	0730.008.294	SHIM	1		00.00.0000		A=2,40			4	0,000	
	0730.008.293	SHIM	1		00.00.0000		A=2,35			4	0,000	
	0730.008.292	SHIM	1		00.00.0000		A=2,30			4	0,000	
	0730.007.787	SHIM	1		00.00.0000		A=2,25			4	0,000	
	0730.007.786	SHIM	1		00.00.0000		A=2,20			4	0,000	
200	0732.042.766	COMPR.SPRING	1		00.00.0000		ASTRONIC 2 HG/GV/GP			4	0,009	
210	0731.208.242	DETENT PIN	1		00.00.0000					4	0,006	
250	1328.302.118	BRAKE COVER	1	9620B				4	0,290	
260	0631.306.699	CYLINDRICAL PIN	3		00.00.0000		ZFN 6 8 M 6X 50			4	0,000	
270	1314.303.077	O.CLUTCH DISC	4		00.00.0000		ENTHALT.IN 1314 303 079(2)			4	0,105	
280	0501.211.618	I.CLUTCH DISC	2		00.00.0000		KPL.			4	0,060	

VKF Incidence factor

OTK Optional technical kit

ID Identification (output code)

SP Supplier plant





Pos.	Material number	Name	VKF	Amend. no.	Amend. start	Prod. no.	Material feature / tech. info.	OTK	External material no.	ID	Weight	SP
010	1328.304.063	MAIN SHAFT	1		00.00.0000					4	0,000	
020	1314.332.043	OIL TUBE	1		00.00.0000					4	0,010	
030	1328.304.035	KEY	1		00.00.0000		IN 1329 304 005(2)			4	0,021	
040	1314.304.097	OIL TUBE	1		00.00.0000					4	0,037	
060	1314.304.139	SLIDING SLEEVE	1		00.00.0000					4	0,666	
070	1314.304.008	WASHER	1		00.00.0000		A=7,00 IN 1314 304 014(2)			4	0,100	
080	1328.304.061	HELICAL GEAR	1		00.00.0000		RG			4	4,200	
090	1314.304.119	WASHER	1		00.00.0000		ENTHALT.IN 1314 304 095(2)			4	0,160	
100	---	SNAP RING	1		00.00.0000		WTB 0730 514 005()			3	0,000	
	0730.514.007	SNAP RING	1		00.00.0000		A=2,60 IN 0730 514 005(2)			4	0,000	
	0730.514.006	SNAP RING	1		00.00.0000		A=2,55 IN 0730 514 005(2)			4	0,000	
	0730.513.973	SNAP RING	1		00.00.0000		A=2,50 IN 0730 514 005(2)			4	0,018	
	0730.514.008	SNAP RING	1		00.00.0000		A=2,65 IN 0730 514 005(2)			4	0,000	
	0730.514.009	SNAP RING	1		00.00.0000		A=2,70 IN 0730 514 005(2)			4	0,000	
110	1314.304.008	WASHER	2		00.00.0000		A=7,00 IN 1314 304 014(2)			4	0,100	
130	0730.513.973	SNAP RING	1	0695D			A=2,50 IN 0730 514 005(2)			4	0,018	
140	1314.304.119	WASHER	1		00.00.0000		ENTHALT.IN 1314 304 095(2)			4	0,160	
150	1328.304.060	HELICAL GEAR	1		00.00.0000		1G			4	6,640	
160	1314.304.008	WASHER	1		00.00.0000		A=7,00 IN 1314 304 014(2)			4	0,100	
200	1328.304.064	SLIDING SLEEVE	1		00.00.0000					4	0,844	
210	1314.304.008	WASHER	1		00.00.0000		A=7,00 IN 1314 304 014(2)			4	0,100	
220	1328.304.018	HELICAL GEAR	1		00.00.0000		2G			4	6,033	
230	1314.304.119	WASHER	1		00.00.0000		ENTHALT.IN 1314 304 095(2)			4	0,160	
240	---	SNAP RING	1		00.00.0000		WTB 0730 514 005()			3	0,000	
	0730.514.006	SNAP RING	1		00.00.0000		A=2,55 IN 0730 514 005(2)			4	0,000	
	0730.514.007	SNAP RING	1		00.00.0000		A=2,60 IN 0730 514 005(2)			4	0,000	
	0730.514.008	SNAP RING	1		00.00.0000		A=2,65 IN 0730 514 005(2)			4	0,000	
	0730.513.973	SNAP RING	1		00.00.0000		A=2,50 IN 0730 514 005(2)			4	0,018	
	0730.514.009	SNAP RING	1		00.00.0000		A=2,70 IN 0730 514 005(2)			4	0,000	
250	1314.304.008	WASHER	1		00.00.0000		A=7,00 IN 1314 304 014(2)			4	0,100	
270	1314.304.008	WASHER	1		00.00.0000		A=7,00 IN 1314 304 014(2)			4	0,100	
280	---	SNAP RING	1		00.00.0000		WTB 0730 514 005()			3	0,000	
	0730.513.973	SNAP RING	1		00.00.0000		A=2,50 IN 0730 514 005(2)			4	0,018	
	0730.514.009	SNAP RING	1		00.00.0000		A=2,70 IN 0730 514 005(2)			4	0,000	

VKF Incidence factor

OTK Optional technical kit

ID Identification (output code)

SP Supplier plant



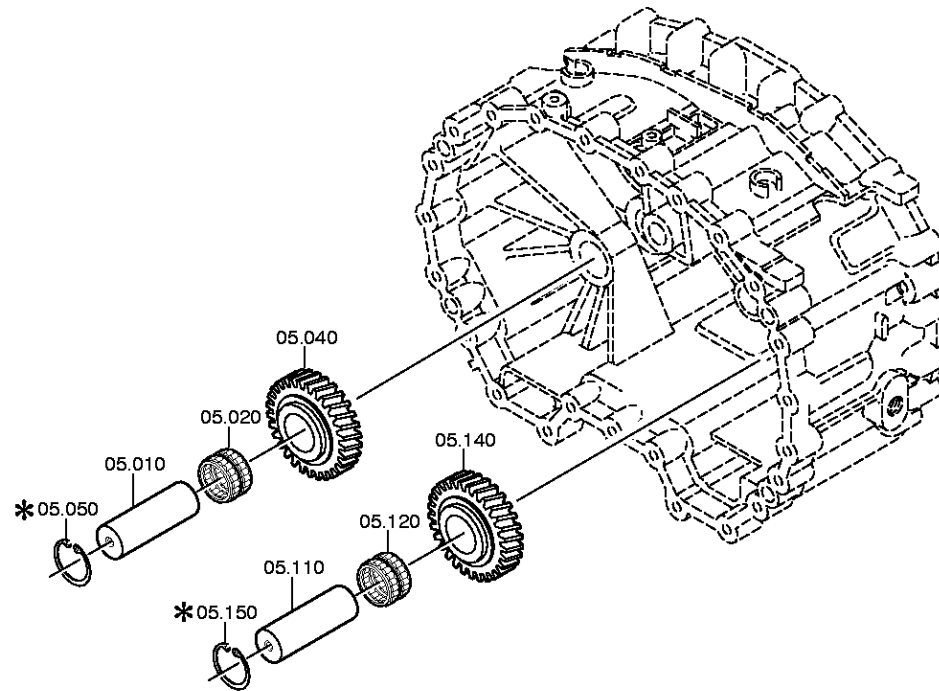
Pos.	Material number	Name	VKF	Amend. no.	Amend. start	Prod. no.	Material feature / tech. info.	OTK	External material no.	ID	Weight	SP
	0730.514.008	SNAP RING	1		00.00.0000		A=2,65 IN 0730 514 005(2)			4	0,000	
	0730.514.006	SNAP RING	1		00.00.0000		A=2,55 IN 0730 514 005(2)			4	0,000	
	0730.514.007	SNAP RING	1		00.00.0000		A=2,60 IN 0730 514 005(2)			4	0,000	
290	1314.304.119	WASHER	1		00.00.0000		ENTHALT.IN 1314 304 095(2)			4	0,160	
300	1328.304.040	HELICAL GEAR	1		00.00.0000		3G			4	3,400	
310	1314.304.008	WASHER	1		00.00.0000		A=7,00 IN 1314 304 014(2)			4	0,100	
350	1328.304.064	SLIDING SLEEVE	1		00.00.0000					4	0,844	

VKF Incidence factor

OTK Optional technical kit

ID Identification (output code)

SP Supplier plant





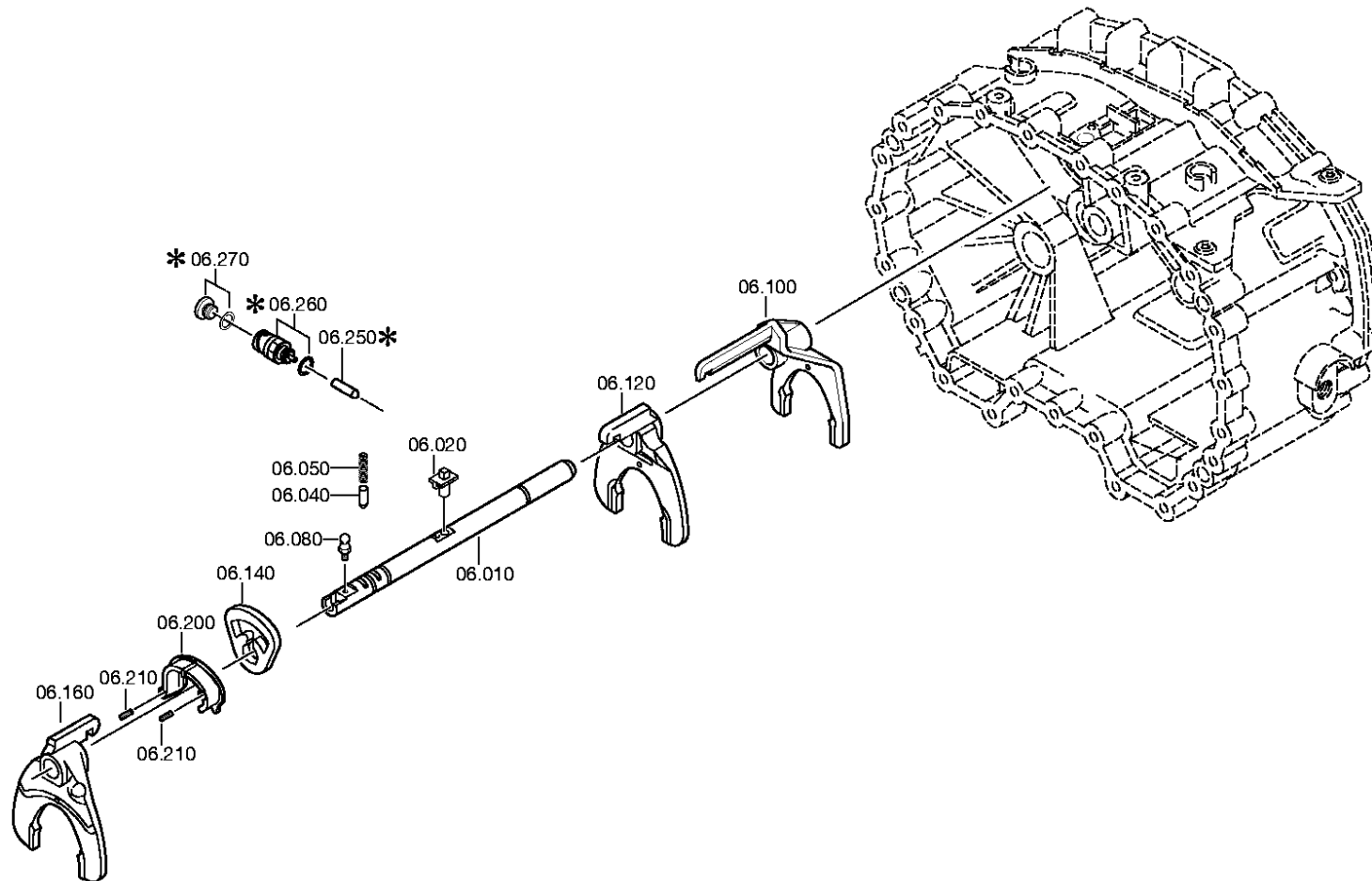
Pos.	Material number	Name	VKF	Amend. no.	Amend. start	Prod. no.	Material feature / tech. info.	OTK	External material no.	ID	Weight	SP
010	1328.305.007	REV.IDLER SHAFT	1		00.00.0000		IN 1328 305 006(1)			4	1,130	
020	0735.321.454	NEEDLE CAGE	1		00.00.0000		40,0X48,0X40,0			4	0,068	
040	1328.305.014	HELICAL GEAR	1		00.00.0000		RG			4	2,094	
110	1328.305.007	REV.IDLER SHAFT	1		00.00.0000		IN 1328 305 006(1)			4	1,130	
120	0735.321.454	NEEDLE CAGE	1		00.00.0000		40,0X48,0X40,0			4	0,068	
140	1328.305.014	HELICAL GEAR	1		00.00.0000		RG			4	2,094	

VKF Incidence factor

OTK Optional technical kit

ID Identification (output code)

SP Supplier plant





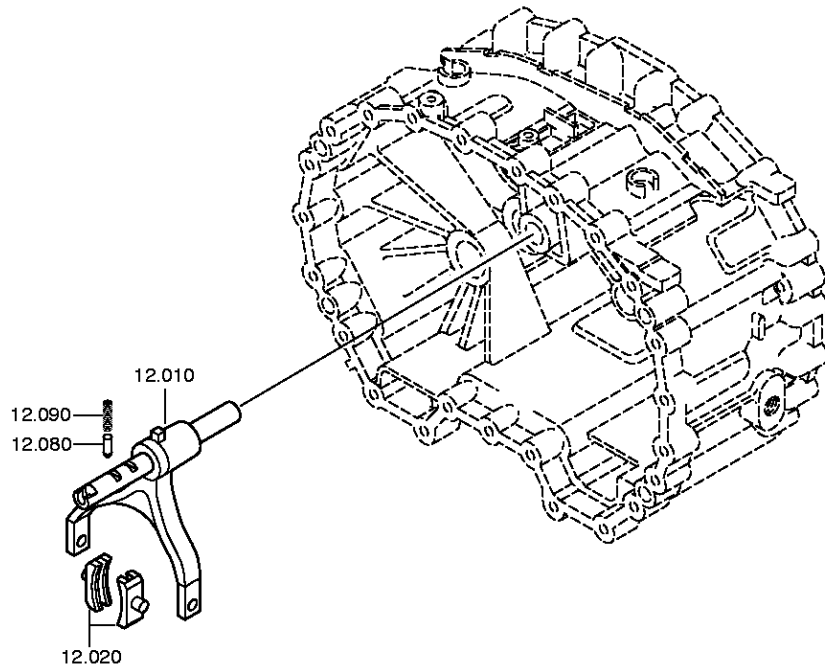
Pos.	Material number	Name	VKF	Amend. no.	Amend. start	Prod. no.	Material feature / tech. info.	OTK	External material no.	ID	Weight	SP
010	1328.206.006	G.SHIFT SHAFT	1	6729E	KPL.			3	1,509	
/010	1328.306.032	G.SHIFT SHAFT	1	6729E	IN 1328 306 031(0)			4	1,400	
/020	1328.306.027	G.SHIFT FINGER	1	6729E				4	0,040	
040	0731.208.242	DETENT PIN	1		00.00.0000					4	0,006	
050	0732.042.766	COMPR.SPRING	1		00.00.0000		ASTRONIC 2 HG/GV/GP			4	0,009	
080	---	BALL PIN	1		00.00.0000					3	0,000	
	1314.306.064	BALL PIN	1		00.00.0000					4	0,035	
100	1328.306.033	GEAR SHIFT FORK	1		00.00.0000		RG			4	1,238	
120	1328.306.026	GEAR SHIFT FORK	1		00.00.0000		1-4G			4	1,100	
140	1328.306.034	INTERLOCK	1		00.00.0000					4	0,221	
160	1328.306.026	GEAR SHIFT FORK	1		00.00.0000		1-4G			4	1,100	
200	1328.306.021	SPACER	1		00.00.0000					4	0,082	
210	0631.329.120	SLOT.PIN	2		00.00.0000		ISO 8752 6 X 18			4	0,000	
250	1328.306.024	PIN	1		00.00.0000		ENTHALT.IN 1328 306 023(2)			4	0,030	
260	---	SWITCH	1		00.00.0000		OEFF*45N.M*DICHTRING			3	0,000	
	0501.215.297	SWITCH	1	6545E	KPL.			4	0,000	
	0634.801.062	SEALING RING	1		00.00.0000		DIN 7603 A 18 X 24			4	0,000	

VKF Incidence factor

OTK Optional technical kit

ID Identification (output code)

SP Supplier plant





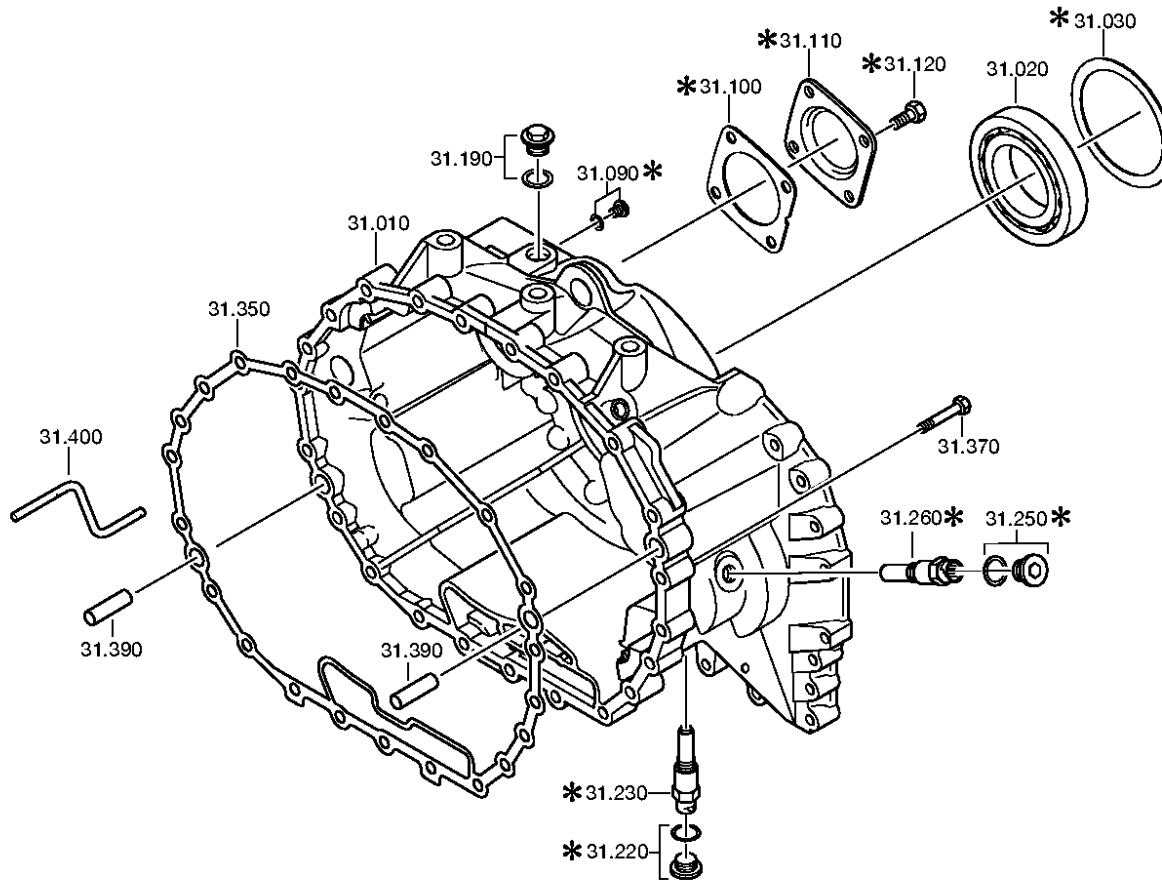
Pos.	Material number	Name	VKF	Amend. no.	Amend. start	Prod. no.	Material feature / tech. info.	OTK	External material no.	ID	Weight	SP
010	1328.212.002	GEAR SHIFT FORK	1		00.00.0000		KPL.			4	2,723	
020	1328.312.005	SLIDING PAD	2	2455B				4	0,143	
080	0731.208.242	DETENT PIN	1		00.00.0000					4	0,006	
090	0732.042.766	COMPR.SPRING	1		00.00.0000		ASTRONIC 2 HG/GV/GP			4	0,009	

VKF Incidence factor

OTK Optional technical kit

ID Identification (output code)

SP Supplier plant





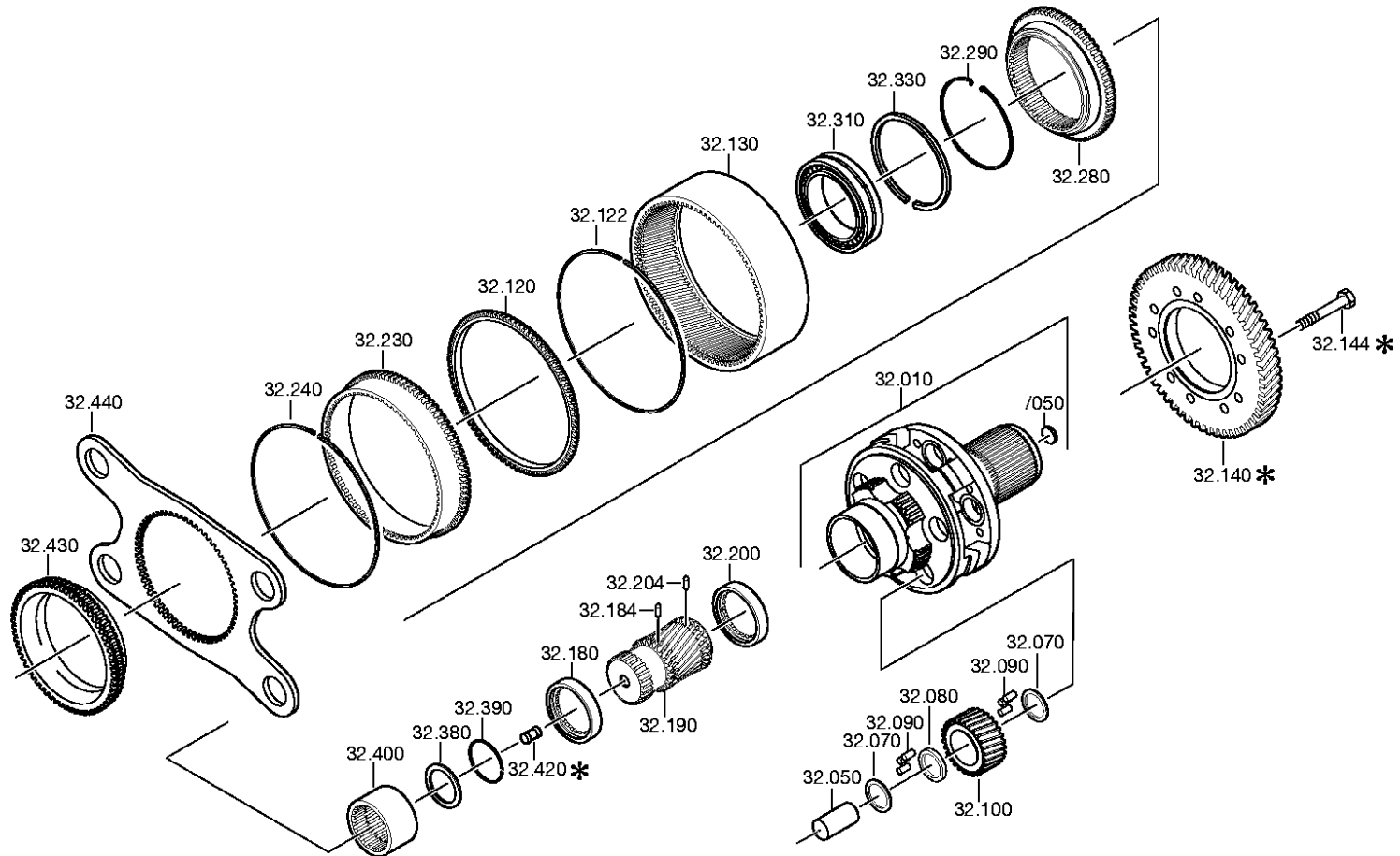
Pos.	Material number	Name	VKF	Amend. no.	Amend. start	Prod. no.	Material feature / tech. info.	OTK	External material no.	ID	Weight	SP
010	6085.201.088	HOUSING	1	4675E	KPL. IN 6085 201 086(0)			4	0,000	
020	0750.116.394	BALL BEARING	1	3016D	WTB 90,0X160,0X30,0			4	2,229	
090	---	SCREW PLUG	1		00.00.0000		M10X1 * 15N.M* DICHRING			3	0,000	
	0636.302.053	SCREW PLUG	1		00.00.0000		DIN 908 M 10X1			4	0,000	
	0634.801.013	SEALING RING	1	2971C	DIN 7603 A 10 X 14			4	0,000	
100	1238.308.201	GASKET	1		00.00.0000		ENTHALT.IN 1238 308 202(2)			4	0,003	
110	1304.301.034	COVER	1		00.00.0000		ENTHALT.IN 1238 308 199(1)			4	0,258	
120	---	HEXAGON SCREW	4		00.00.0000		M12X25 DIN933ALT/8.8 A3C			3	0,000	
	0630.001.049	WASHER	4		00.00.0000		DIN 125 ALT 13			4	0,000	
	0636.016.178	HEXAGON SCREW	4		00.00.0000		DIN 933 ALT M 12 X 25			4	0,000	
190	---	SCREW PLUG	1		00.00.0000		M24X1,5 * 60N.M* DICHRING			3	0,000	
	0730.008.637	SEALING RING	1		00.00.0000		A24X29 IN 0730 008 636(2)			4	0,003	
	0636.304.049	SCREW PLUG	1		00.00.0000		DIN 910 M 24X1,5			4	0,000	
230	---	PULSE SENSOR	1		00.00.0000		L= 19,8* 45N.M*O. DICHRING			3	0,000	
	0501.214.768	PULSE SENSOR	1		00.00.0000		KPL. IN 0501 214 767(1)			4	0,000	
260	---	PULSE SENSOR	1		00.00.0000		L= 19,8* 45N.M*O. DICHRING			3	0,000	
	0501.210.855	PULSE SENSOR	1		00.00.0000		KPL. IN 0501 210 854(2)			4	0,092	
350	0501.321.443	GASKET	1		00.00.0000		*4201F-07TE0501.324.368			4	0,000	
370	---	HEXAGON SCREW	22		00.00.0000		M10X60Z1 DIN933A/10. 9A3CSM			3	0,000	
	0636.015.601	HEXAGON SCREW	22		00.00.0000		DIN 933 ALT M 10 X 60 Z			4	0,000	
390	0731.201.563	CYLINDRICAL PIN	2		00.00.0000		IN 0731 201 458()			4	0,130	
400	1328.331.001	SPRAY TUBE	1		00.00.0000		GP			4	0,074	

VKF Incidence factor

OTK Optional technical kit

ID Identification (output code)

SP Supplier plant





Pos.	Material number	Name	VKF	Amend. no.	Amend. start	Prod. no.	Material feature / tech. info.	OTK	External material no.	ID	Weight	SP
010	1328.232.016	PLANET CARRIER	1	7481C	KPL. IN 1328 232 012(0)			3	13,800	
/050	---	SEALING CAP	1		00.00.0000		20 DIN443 FE/ ZNPHR8F			3	0,000	
	0630.361.033	SEALING CAP	1		00.00.0000		DIN 443 20			4	0,000	
050	1328.332.041	PLANET SHAFT	5	0790C	IN 1314 332 036(2)			4	0,598	
070	0730.109.323	INTERM.WASHER	10		00.00.0000		A=2,30			4	0,014	
080	0730.109.640	INTERM.WASHER	5		00.00.0000		A=9,00 IN 0730 105 951(2)			4	0,053	
090	0750.119.116	ROLLER	140		00.00.0000		WTB 10,0X16,8			4	0,010	
100	1328.232.006	PLANET GEAR SET	1		00.00.0000		KPL.BETA=12GRAD 19MIN 36SE			4	5,662	
120	1328.332.046	THRUST RING	1	9812D				4	0,000	
122	0730.513.682	LOCKING WIRE	1	9812D	ENTHALT.IN 0730 513 681(2)			4	0,052	
130	1328.332.045	RING GEAR	1	9812D				4	0,000	
140	6085.301.093	HELICAL GEAR	1	1940B				4	6,482	
144	---	HEXAGON SCREW	10		00.00.0000		M12X28 DIN933ALT/12.9			3	0,000	
	0636.016.215	HEXAGON SCREW	10		00.00.0000		DIN 933 ALT M 12 X 28			4	0,000	
180	1328.332.033	PRESSURE DISC	1	5136B	IN 1328 332 032(1)			4	0,190	
184	7636.038.103	DRIVING PIN	1	6369A	ENTHALT.IN 7630 038 101(4)			4	0,003	
190	1328.332.030	SUN GEAR	1	6369A				4	3,575	
200	1328.332.033	PRESSURE DISC	1	5136B	IN 1328 332 032(1)			4	0,190	
204	7636.038.103	DRIVING PIN	1	6924A	ENTHALT.IN 7630 038 101(4)			4	0,003	
230	1328.332.024	RING GEAR CARR.	1		00.00.0000					4	1,512	
240	0730.513.682	LOCKING WIRE	1		00.00.0000		ENTHALT.IN 0730 513 681(2)			4	0,052	
280	1328.333.009	CLUTCH BODY	1	2703D				4	0,000	
290	0730.513.745	RETAINING RING	1		00.00.0000		A=2,50			4	0,020	
310	0750.118.284	CY.ROLL.BEARING	1	2963B	WTB 100,0X130,0X30, 0			4	0,960	
330	0630.513.139	SNAP RING	1		00.00.0000		FA. ORBIS SB 130			4	0,000	
380	---	SHIM	1		00.00.0000		WTB 0730 003 883(2)			3	0,000	
	0730.003.898	SHIM	1		00.00.0000		A=1,70			4	0,000	
	0730.003.900	SHIM	1		00.00.0000		A=1,80			4	0,000	
	0730.003.902	SHIM	1		00.00.0000		A=1,90			4	0,000	
	0730.003.904	SHIM	1		00.00.0000		A=2,00			4	0,000	
	0730.003.906	SHIM	1		00.00.0000		A=2,10			4	0,000	
	0730.003.908	SHIM	1		00.00.0000		A=2,20			4	0,000	
	0730.003.910	SHIM	1		00.00.0000		A=2,30			4	0,000	

VKF Incidence factor

OTK Optional technical kit

ID Identification (output code)

SP Supplier plant



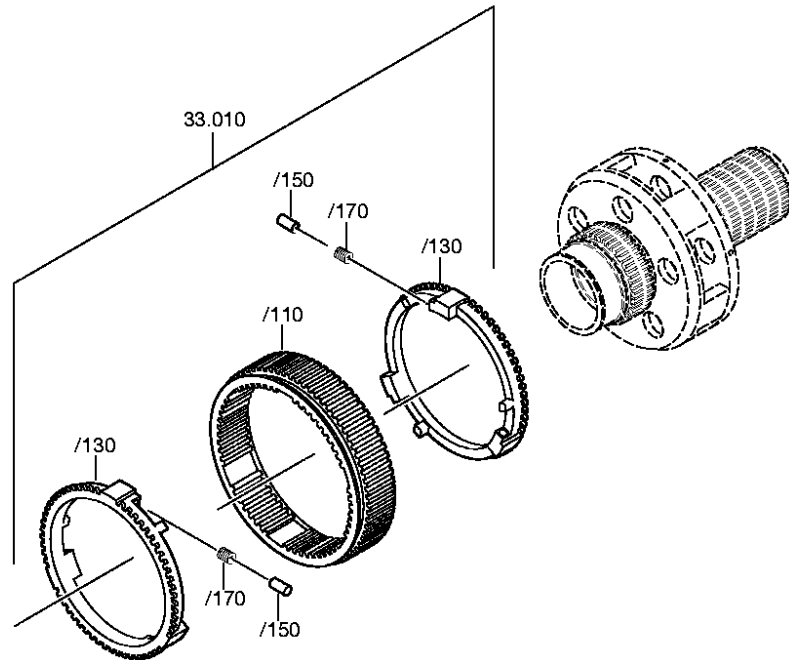
Pos.	Material number	Name	VKF	Amend. no.	Amend. start	Prod. no.	Material feature / tech. info.	OTK	External material no.	ID	Weight	SP
	0730.003.896	SHIM	1		00.00.0000		A=1,60			4	0,000	
	0730.003.894	SHIM	1		00.00.0000		A=1,50			4	0,000	
	0730.003.892	SHIM	1		00.00.0000		A=1,40			4	0,000	
	0730.003.890	SHIM	1		00.00.0000		A=1,30			4	0,000	
	0730.003.888	SHIM	1		00.00.0000		A=1,20			4	0,000	
	0730.003.886	SHIM	1		00.00.0000		A=1,10			4	0,000	
	0730.003.884	SHIM	1		00.00.0000		A=1,00			4	0,000	
	0730.004.643	SHIM	1		00.00.0000		A=3,30			4	0,031	
	0730.004.641	SHIM	1		00.00.0000		A=3,20			4	0,029	
	0730.004.639	SHIM	1		00.00.0000		A=3,10			4	0,030	
	0730.004.637	SHIM	1		00.00.0000		A=3,00			4	0,028	
	0730.004.635	SHIM	1		00.00.0000		A=2,90			4	0,026	
	0730.004.633	SHIM	1		00.00.0000		A=2,80			4	0,026	
	0730.004.631	SHIM	1		00.00.0000		A=2,70			4	0,025	
	0730.004.629	SHIM	1		00.00.0000		A=2,60			4	0,024	
	0730.003.914	SHIM	1		00.00.0000		A=2,50			4	0,000	
	0730.003.912	SHIM	1		00.00.0000		A=2,40			4	0,000	
390	0630.502.218	RETAINING RING	1		00.00.0000		FA. ORBIS 64X2 J64			4	0,000	
400	1328.304.062	SLEEVE	1	1933C				4	0,732	
430	1314.333.031	CLUTCH BODY	1		00.00.0000					4	1,700	
440	1328.333.006	PLATE	1		00.00.0000		ENTHALT.IN 1314 333 044(0)			4	2,620	

VKF Incidence factor

OTK Optional technical kit

ID Identification (output code)

SP Supplier plant



Parts list
Page 1 from 1

Material number: 1328.001.049 16 AS 2601 IT /
Plant: 105.45.01
Material-assembly-group-no: 1328.133.003



Pos.	Material number	Name	VKF	Amend. no.	Amend. start	Prod. no.	Material feature / tech. info.	OTK	External material no.	ID	Weight	SP
010	1328.233.001	SYNCHRONIZER	1	2153C			KPL.			3	0,000	
/110	1328.333.003	SLIDING SLEEVE	1		00.00.0000		ZF-B165/74			4	2,410	
/130	1328.333.005	SYNCHRO.RING	2		00.00.0000					4	0,791	
/150	0730.162.804	BUSH	6		00.00.0000		A=17,00			4	0,001	
/170	0732.040.929	COMPR.SPRING	6		00.00.0000					4	0,002	

VKF Incidence factor

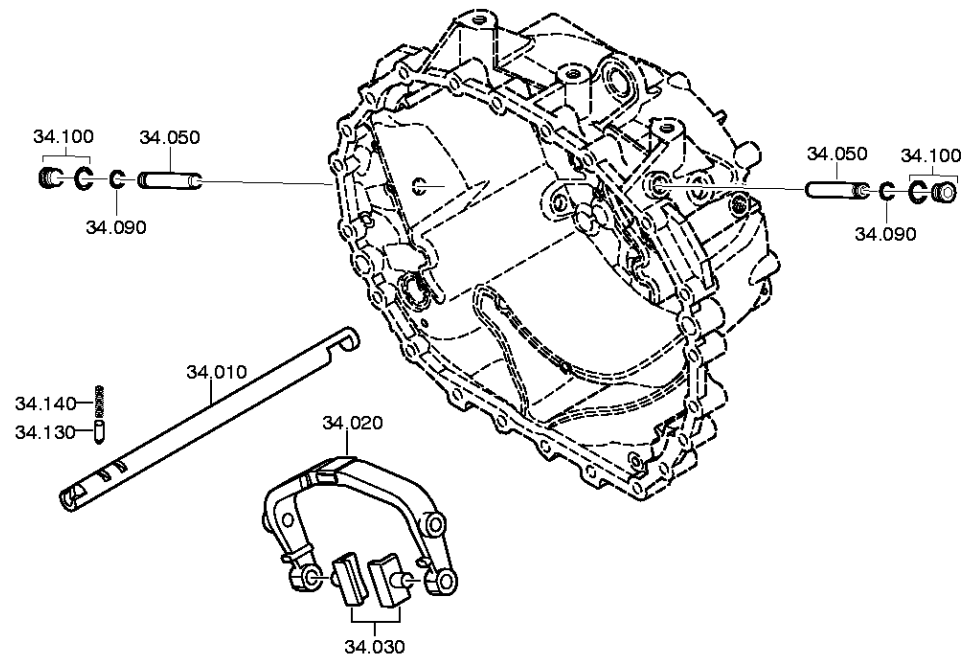
OTK Optional technical kit

ID Identification (output code)

SP Supplier plant

© All rights reserved by ZF Friedrichshafen AG, even in the event of applications for copyright. We hold all rights of disposal, such as the right to copy and disseminate.
For information only, not subject to the amendment service.

06.08.2007



Parts list
Page 1 from 1

Material number: 1328.001.049 16 AS 2601 IT /
Plant: 105.46.03
Material-assembly-group-no: 1328.134.007



Pos.	Material number	Name	VKF	Amend. no.	Amend. start	Prod. no.	Material feature / tech. info.	OTK	External material no.	ID	Weight	SP
010	1328.334.018	GEAR SHIFT RAIL	1		00.00.0000		IN 1327 334 010(0)			4	1,806	
020	1328.334.017	GEAR SHIFT FORK	1		00.00.0000					4	2,200	
030	1328.334.004	SLIDING PAD	2		00.00.0000					4	0,225	
050	1328.334.020	JOINT PIN	2		00.00.0000					4	0,119	
090	0630.505.525	SNAP RING	2		00.00.0000		DIN 7993 A 16			4	0,000	
100	---	SCREW PLUG	2	3260D	M20X1,5 * 40N.M* DICHTRING			3	0,000	
	0636.302.077	SCREW PLUG	2		00.00.0000		DIN 908 M 20X1,5			4	0,000	
	0730.010.571	SEALING RING	2		00.00.0000		A20X24 IN 0730 008 636(2)			4	0,000	
130	0731.208.242	DETENT PIN	1		00.00.0000					4	0,006	
140	0732.042.766	COMPR.SPRING	1		00.00.0000		ASTRONIC 2 HG/GV/GP			4	0,009	

VKF Incidence factor

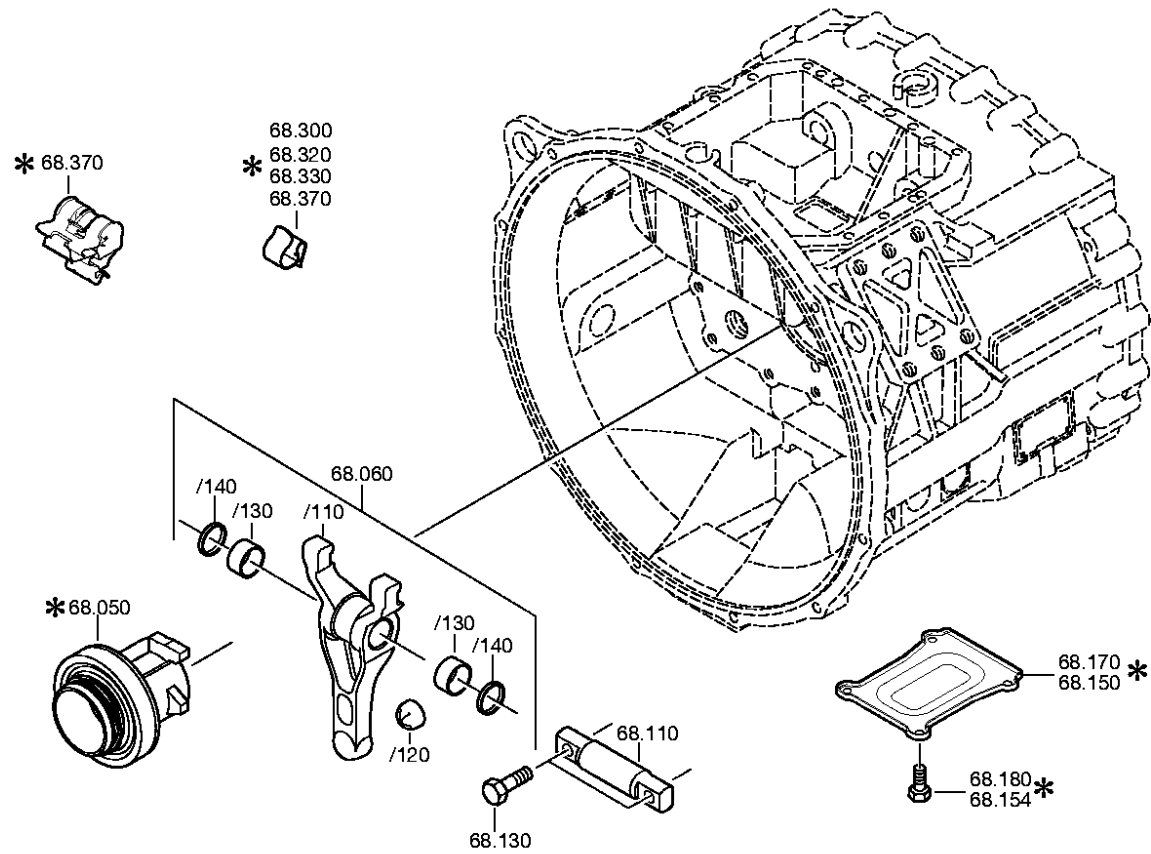
OTK Optional technical kit

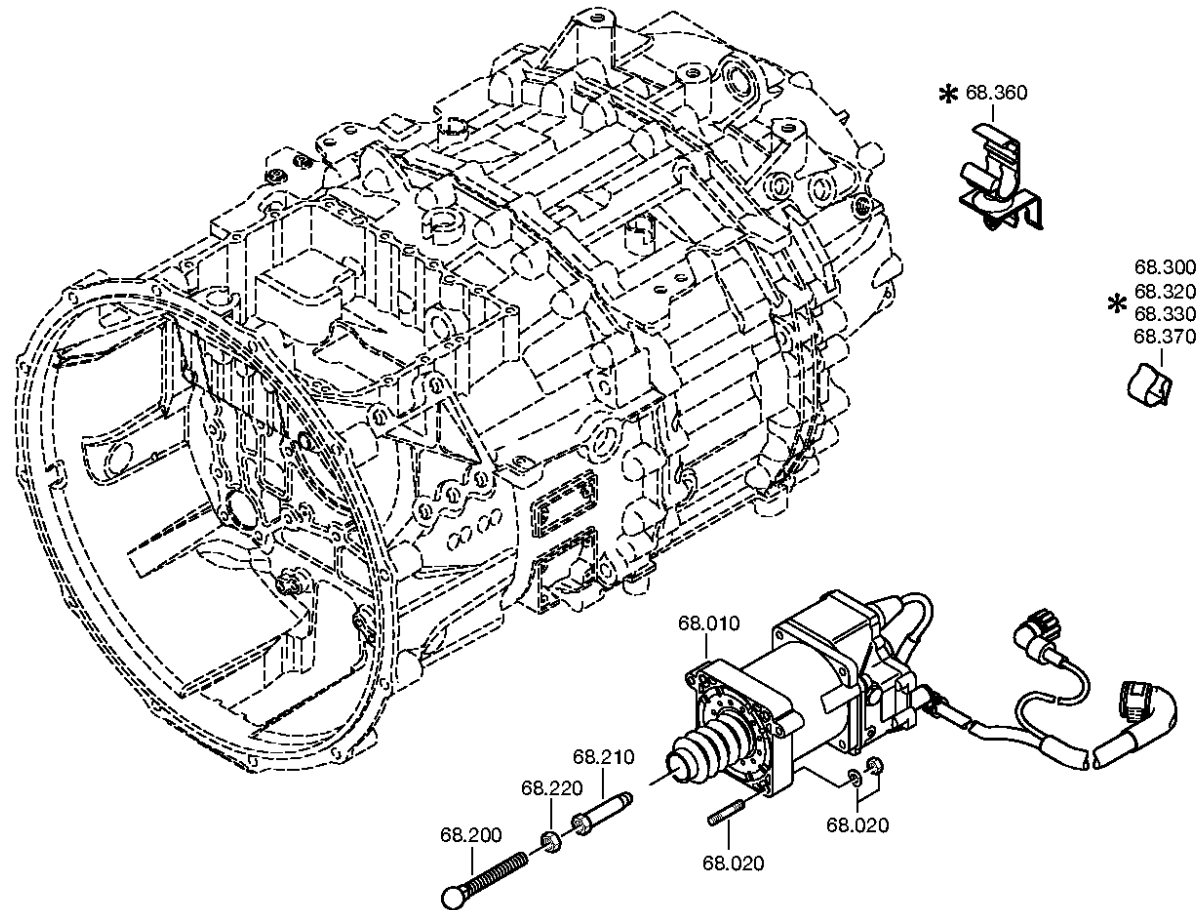
ID Identification (output code)

SP Supplier plant

© All rights reserved by ZF Friedrichshafen AG, even in the event of applications for copyright. We hold all rights of disposal, such as the right to copy and disseminate.
For information only, not subject to the amendment service.

06.08.2007







Pos.	Material number	Name	VKF	Amend. no.	Amend. start	Prod. no.	Material feature / tech. info.	OTK	External material no.	ID	Weight	SP
010	0501.212.474	CLUTCH ACTUATOR	1		00.00.0000		KPL.20POL			4	3,400	
020	---	BOLT+NUT	4	0595F	M8X45 DIN835/8.8 A3C			3	0,000	
	0636.604.474	STUD	4		00.00.0000		DIN 835 M 8 X 45			4	0,000	
	0630.001.075	WASHER	4		00.00.0000		DIN 125 ALT 8,4			4	0,000	
	0637.006.172	HEXAGON NUT	4		00.00.0000		DIN 934 ALT M 8			4	0,000	
060	1328.268.003	RELEASE FORK	1		00.00.0000		KPL.VORSERIE*BUCHSE*WDR			3	2,105	
/110	1328.368.011	RELEASE FORK	1	5495D				4	0,000	
/120	0501.306.220	BALL CUP	1		00.00.0000					4	0,010	
/130	0730.260.398	BUSH	2		00.00.0000		A=25,00			4	0,034	
/140	---	SHAFT SEAL	2	0694B	AUSRUECKGABEL			3	0,000	
	0734.309.397	SHAFT SEAL	2		00.00.0000					4	0,007	
110	1328.368.001	RELEASE SHAFT	1		00.00.0000					4	0,650	
130	---	HEXAGON SCREW	2		00.00.0000		M12X50 DIN933A/10. 9A3CSM			3	0,000	
	0636.016.235	HEXAGON SCREW	2		00.00.0000		DIN 933 ALT M 12 X 50			4	0,000	
170	1328.301.008	COVER	1		00.00.0000					4	0,240	
180	---	HEXAGON SCREW	4		00.00.0000		M8X25 ISO4017/8.8 A3C			3	0,000	
	0636.015.257	HEXAGON SCREW	4		00.00.0000		ISO 4017 M 8 X 25			4	0,000	
200	1314.368.008	BALL PIN	1		00.00.0000					4	0,101	
210	1314.368.004	PRESSING ROD	1		00.00.0000					4	0,070	
220	---	HEXAGON NUT	1		00.00.0000		BM12X1,25 DIN439ALT/04 A3C			3	0,000	
	0637.002.051	HEXAGON NUT	1		00.00.0000		DIN 439 ALT BM 12X1, 25			4	0,000	
300	0659.050.393	CABLE TERMINAL	1		00.00.0000		FA. RAYMOND 052689 D			4	0,000	
320	0659.050.410	CABLE TERMINAL	1		00.00.0000		FA. RAYMOND 052685 D			4	0,000	
330	0659.050.410	CABLE TERMINAL	1		00.00.0000		FA. RAYMOND 052685 D			4	0,000	
360	0501.214.086	MOUNTING	1		00.00.0000		KPL.			4	0,000	
370	6072.202.004	LINE FIXING	1		00.00.0000		KPL.			4	0,000	

VKF Incidence factor

OTK Optional technical kit

ID Identification (output code)

SP Supplier plant



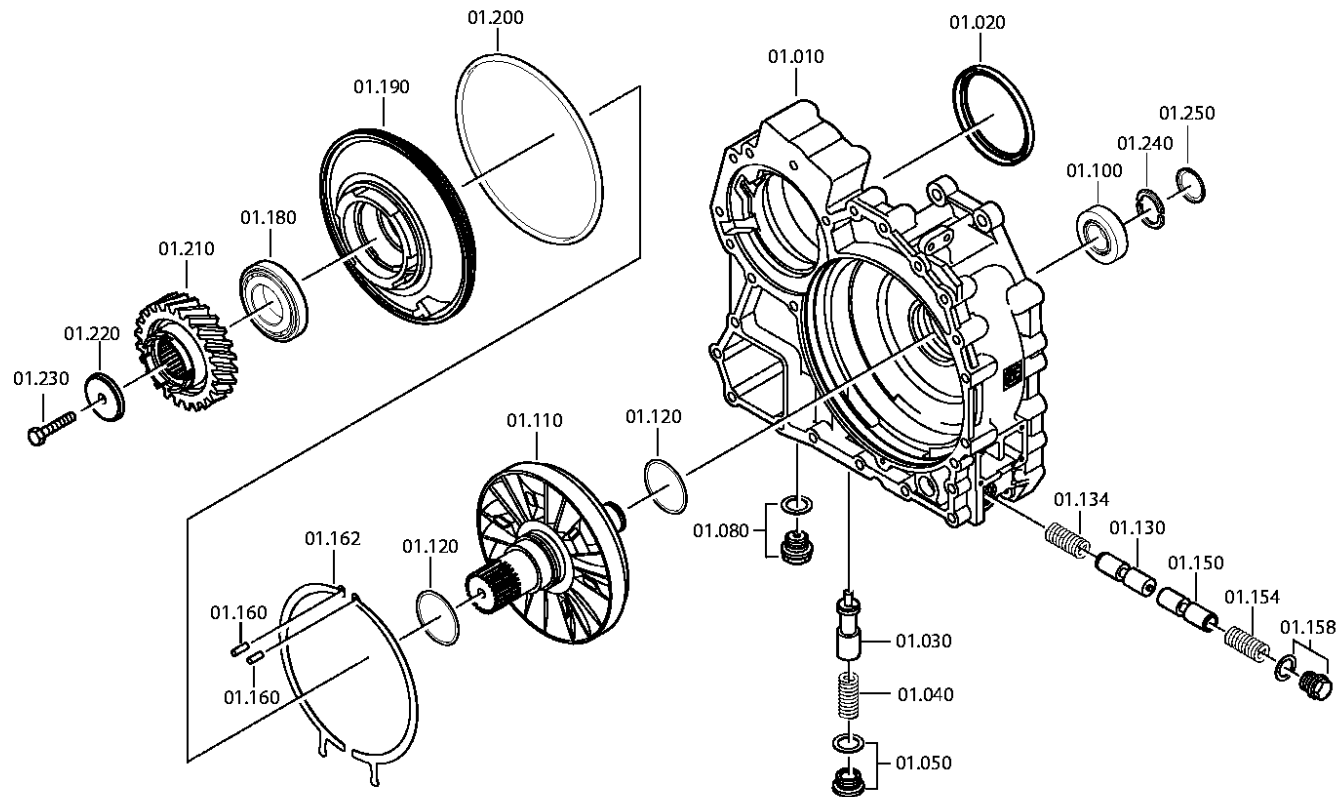
Pos.	Information	Amendment number
A10	CUSTOMER:AT FINAL PRODUCT	
A10	COUNTRY:	
A14	CUST.SPEC.NO:AT FINAL PRODUCT	
M00	DRAWING:	
M14	SECTION: 6085 020 020	
M26	SPECIFICAT: 6085 700 023	
Q50	QUALITY INSTRUCTION:	4881B
Q52	TESTING:INTARDER KIT 6085 700 019	
Q54	POSITION DELETED	



Graphics	Pos.	Material number	Name	VKF	Amend. no.	Amend. start	Prod. no.	Material feature / tech. info.	ID
078.01.11	110	6085.101.039	HOUSING	1		00.00.0000		IT2200*REDUZIEREINR.	3
078.02.03	120	6085.102.007	CONTROL UNIT	1		00.00.0000		WT-ANGEFL*DINBAJ	3
078.02.03	130	6085.102.813	MOUNTING	1		00.00.0000		RVI*O.PLATTE	3
078.02.03	140	6085.102.800	CLOSING COMPON.	1		00.00.0000		STEUERUNG	3
078.03.01	150	6085.103.001	PUMP	1		00.00.0000		STANDARD	3
078.03.01	160	6085.103.800	PUMP	1		00.00.0000		6KT.SCHRAUBE M8X80	3

VKF Incidence factor

ID Identification (output code)





Pos.	Material number	Name	VKF	Amend. no.	Amend. start	Prod. no.	Material feature / tech. info.	OTK	External material no.	ID	Weight	SP
010	6085.301.214	HOUSING	1	7980E	IT ASTRO O.SCH.O.LP			4	0,000	
020	0734.319.459	SHAFT SEAL	1		00.00.0000		105X125X12/9,5			4	0,081	
030	6085.301.111	PISTON	1		00.00.0000		1.5 BAR VENTIL			4	0,053	
040	0732.042.403	COMPR.SPRING	1		00.00.0000					4	0,010	
050	---	SCREW PLUG	1		00.00.0000		M26X1,5 * 60N.M* DICHTRING			3	0,000	
	0736.302.020	SCREW PLUG	1		00.00.0000		M26X1,5			4	0,070	
	0634.801.256	SEALING RING	1		00.00.0000		DIN 7603 A 26 X 31			4	0,000	
080	---	SCREW PLUG	1	1321B	M24X1,5 * 60N.M* DICHTRING			3	0,000	
	0736.305.070	SCREW PLUG	1		00.00.0000		ENTHALT.IN 0736 305 041(2)			4	0,080	
	0730.008.637	SEALING RING	1		00.00.0000		A24X29 IN 0730 008 636(2)			4	0,003	
100	0750.117.353	TA.ROLL.BEARING	1		00.00.0000		WTB 33,3X68,2X22,2			4	0,000	
110	6085.301.053	ROTOR	1		00.00.0000					4	5,830	
120	0734.401.251	PISTON RING	2		00.00.0000		65,1X70,0X3,5			4	0,013	
130	6085.301.156	PISTON	1	7405B				4	0,116	
134	0732.042.765	COMPR.SPRING	1		00.00.0000					4	0,007	
150	6085.301.156	PISTON	1	7405B				4	0,116	
154	0732.042.765	COMPR.SPRING	1		00.00.0000					4	0,007	
158	---	SCREW PLUG	1	1320B	M22X1,5 * 50N.M* DICHTRING			3	0,000	
	0736.304.091	SCREW PLUG	1		00.00.0000		M22X1,5			4	0,055	
	0730.009.515	SEALING RING	1		00.00.0000		A22X27 IN 0730 008 636(2)			4	0,002	
160	0631.306.226	CYLINDRICAL PIN	2	5017B	ZFN 6 6 H 8X 32			4	0,000	
162	6085.301.155	OIL DAM	2	7405B				4	0,065	
180	0735.371.515	TA.ROLL.BEARING	1		00.00.0000		50,8X95,2X27,7			4	0,849	
190	6085.301.206	STATOR	1	7898E				4	0,000	
200	0634.313.656	O-RING	1		00.00.0000		ZFN 744 240 X 3			4	0,000	
210	6085.301.033	HELICAL GEAR	1		00.00.0000		ENTHALT.IN 6085 301 011(1)			4	6,481	
220	1315.378.019	WASHER	1		00.00.0000					4	0,240	
230	---	HEXAGON SCREW	1		00.00.0000		M12X80 DIN931ALT/10.9			3	0,000	
	0636.011.434	HEXAGON SCREW	1		00.00.0000		DIN 931 ALT M 12 X 80			4	0,000	
240	---	SPLIT RING	1		00.00.0000		WTB 0730 109 530(2)			3	0,000	
	6085.201.038	SPLIT RING	1		00.00.0000		KPL.A=2,90			4	0,000	

VKF Incidence factor

OTK Optional technical kit

ID Identification (output code)

SP Supplier plant



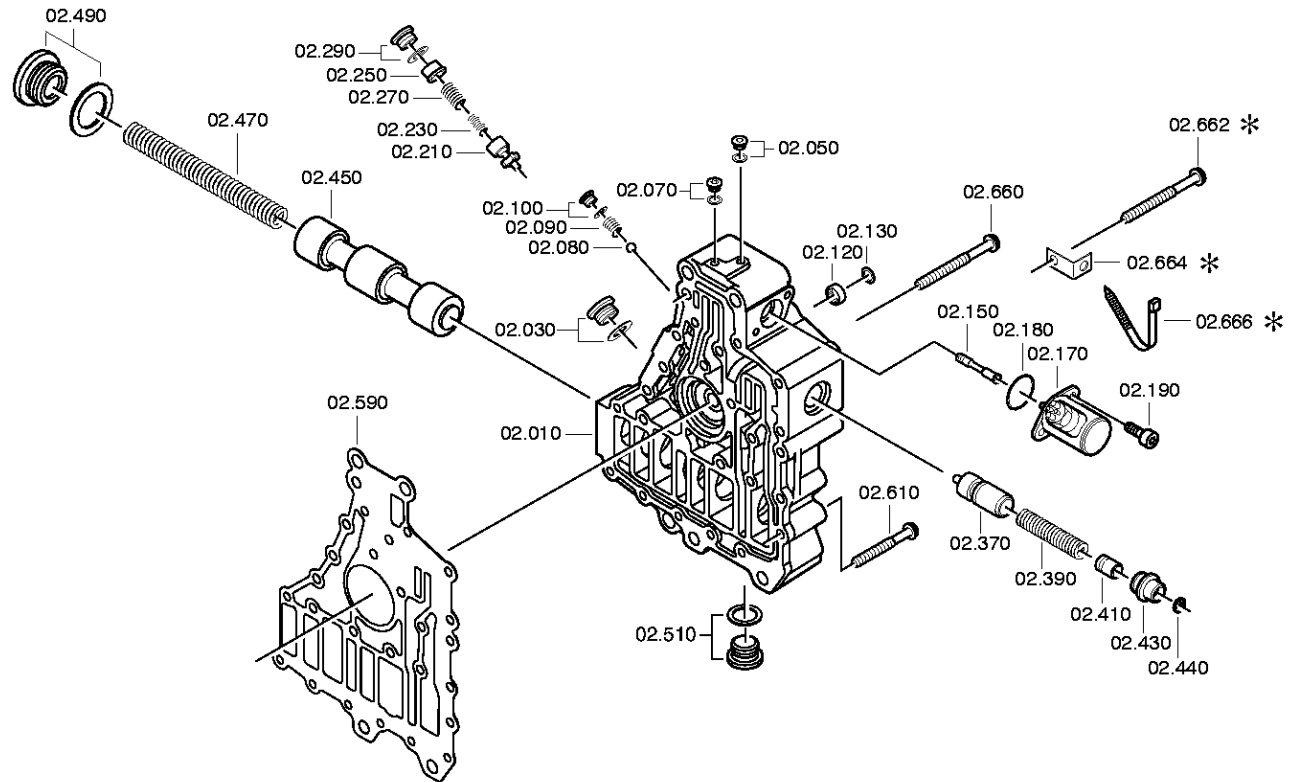
Pos.	Material number	Name	VKF	Amend. no.	Amend. start	Prod. no.	Material feature / tech. info.	OTK	External material no.	ID	Weight	SP
	6085.201.040	SPLIT RING	1		00.00.0000		KPL.A=3,00			4	0,000	
	6085.201.039	SPLIT RING	1		00.00.0000		KPL.A=2,95			4	0,000	
	6085.201.041	SPLIT RING	1		00.00.0000		KPL.A=3,05			4	0,000	
	6085.201.052	SPLIT RING	1		00.00.0000		KPL.A=3,60			4	0,000	
	6085.201.051	SPLIT RING	1		00.00.0000		KPL.A=3,55			4	0,020	
	6085.201.053	SPLIT RING	1		00.00.0000		KPL.A=3,65			4	0,000	
	6085.201.050	SPLIT RING	1		00.00.0000		KPL.A=3,50			4	0,020	
	6085.201.049	SPLIT RING	1		00.00.0000		KPL.A=3,45			4	0,020	
	6085.201.054	SPLIT RING	1		00.00.0000		KPL.A=3,70			4	0,000	
	6085.201.048	SPLIT RING	1		00.00.0000		KPL.A=3,40			4	0,000	
	6085.201.047	SPLIT RING	1		00.00.0000		KPL.A=3,35			4	0,000	
	6085.201.046	SPLIT RING	1		00.00.0000		KPL.A=3,30			4	0,000	
	6085.201.045	SPLIT RING	1		00.00.0000		KPL.A=3,25			4	0,000	
	6085.201.044	SPLIT RING	1		00.00.0000		KPL.A=3,20			4	0,040	
	6085.201.043	SPLIT RING	1		00.00.0000		KPL.A=3,15			4	0,000	
	6085.201.042	SPLIT RING	1		00.00.0000		KPL.A=3,10			4	0,019	
250	0730.063.154	RETAINING RING	1		00.00.0000		A=3,40			4	0,004	

VKF Incidence factor

OTK Optional technical kit

ID Identification (output code)

SP Supplier plant





Pos.	Material number	Name	VKF	Amend. no.	Amend. start	Prod. no.	Material feature / tech. info.	OTK	External material no.	ID	Weight	SP
010	6085.202.010	CONTROL HOUSING	1		00.00.0000		KPL.IT*WT-ANGEFL			4	5,280	
030	---	SCREW PLUG	1		00.00.0000		M26X1,5 * 60N.M* DICHTRING			3	0,000	
	0736.302.042	SCREW PLUG	1		00.00.0000		ENTHALT.			4	0,068	
	0634.801.256	SEALING RING	1		00.00.0000		DIN 7603 A 26 X 31			4	0,000	
050	---	SCREW PLUG	1		00.00.0000		M12X1,5 * 23N.M* DICHTRING			3	0,000	
	0636.302.026	SCREW PLUG	1		00.00.0000		DIN 908 M 12X1,5			4	0,000	
	0634.801.028	SEALING RING	1	2993C	DIN 7603 A 12 X 16			4	0,000	
070	---	SCREW PLUG	1		00.00.0000		M12X1,5 * 23N.M* DICHTRING			3	0,000	
	0636.302.026	SCREW PLUG	1		00.00.0000		DIN 908 M 12X1,5			4	0,000	
	0634.801.028	SEALING RING	1	2993C	DIN 7603 A 12 X 16			4	0,000	
080	0635.460.021	BALL	1		00.00.0000		DIN 5401 10 G20			4	0,000	
090	0732.041.247	COMPR.SPRING	1		00.00.0000					4	0,000	
100	---	SCREW PLUG	1		00.00.0000		M12X1,5 * 23N.M* DICHTRING			3	0,000	
	0634.801.028	SEALING RING	1	2993C	DIN 7603 A 12 X 16			4	0,000	
	0636.302.026	SCREW PLUG	1		00.00.0000		DIN 908 M 12X1,5			4	0,000	
120	0635.303.038	NEEDLE SLEEVE	1		00.00.0000		FA. INA HK 1212 1			4	0,000	
130	0630.532.140	V-RING	1		00.00.0000		FA. ORBIS JV 18			4	0,000	
150	1315.379.037	PISTON	1		00.00.0000					4	0,005	
170	0501.316.959	MAGNET	1		00.00.0000					4	0,505	
180	0634.313.017	O-RING	1		00.00.0000		ZFN 744 27 X 3			4	0,000	
190	---	CAP SCREW	2	4429B	M8X22 ISO4762/8.8 A3C			3	0,000	
	0636.101.775	CAP SCREW	2		00.00.0000		ISO 4762 M 8 X 22			4	0,000	
210	6085.302.001	PISTON	1		00.00.0000					4	0,016	
230	0732.042.470	COMPR.SPRING	1		00.00.0000					4	0,007	
250	6085.302.002	PISTON	1		00.00.0000					4	0,007	
270	0732.042.471	COMPR.SPRING	1		00.00.0000					4	0,005	
290	---	SCREW PLUG	1		00.00.0000		M26X1,5 * 60N.M* DICHTRING			3	0,000	
	0736.302.042	SCREW PLUG	1		00.00.0000		ENTHALT.			4	0,068	
	0634.801.256	SEALING RING	1		00.00.0000		DIN 7603 A 26 X 31			4	0,000	

VKF Incidence factor

OTK Optional technical kit

ID Identification (output code)

SP Supplier plant



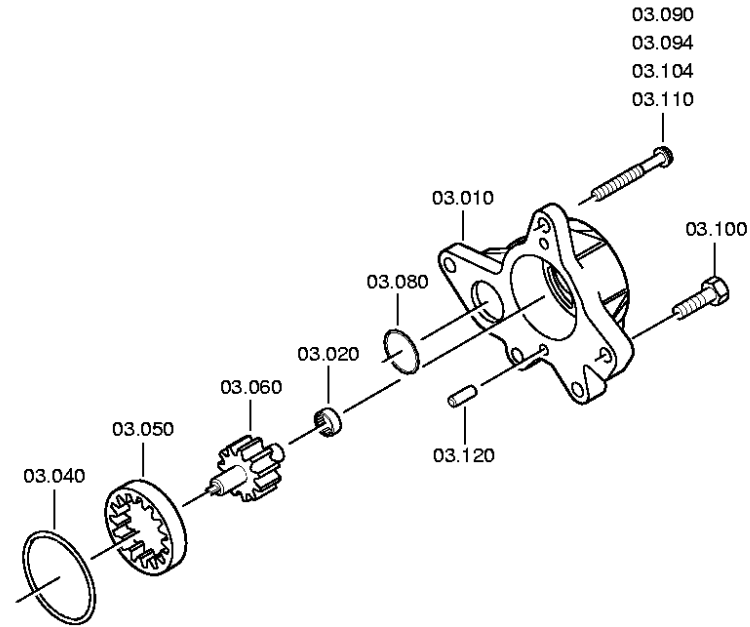
Pos.	Material number	Name	VKF	Amend. no.	Amend. start	Prod. no.	Material feature / tech. info.	OTK	External material no.	ID	Weight	SP
370	1315.379.033	PISTON	1		00.00.0000					4	0,042	
390	0732.042.741	COMPR.SPRING	1		00.00.0000					4	0,008	
410	1315.379.005	PISTON	1		00.00.0000					4	0,005	
430	1315.279.003	ADJUSTING SCREW	1		00.00.0000		KPL.			4	0,107	
440	0730.361.171	SEALING CAP	1		00.00.0000					4	0,000	
450	6085.302.018	PISTON	1		00.00.0000		ENTHALT.IN 6085 302 017(2)			4	0,514	
470	0732.042.402	COMPR.SPRING	1		00.00.0000					4	0,120	
490	---	SCREW PLUG	1		00.00.0000		M48X1,5 *150N.M* DICHRING			3	0,000	
	0736.302.058	SCREW PLUG	1		00.00.0000		M48X1,5			4	0,240	
	0634.801.329	SEALING RING	1		00.00.0000		DIN 7603 A 48 X 55			4	0,000	
510	---	SCREW PLUG	1	1321B	..		M24X1,5 * 60N.M* DICHRING			3	0,000	
	0636.302.064	SCREW PLUG	1		00.00.0000		DIN 908 M 24X1,5			4	0,000	
	0730.008.637	SEALING RING	1		00.00.0000		A24X29 IN 0730 008 636(2)			4	0,003	
590	0501.314.434	GASKET	1		00.00.0000					4	0,083	
610	---	HEXAGON SCREW	13		00.00.0000		M8X80			3	0,000	
	0736.010.203	HEXAGON SCREW	13		00.00.0000		M8X80			4	0,033	
660	---	HEXAGON SCREW	7		00.00.0000		M8X80			3	0,000	
	0736.010.203	HEXAGON SCREW	7		00.00.0000		M8X80			4	0,033	

VKF Incidence factor

OTK Optional technical kit

ID Identification (output code)

SP Supplier plant



Parts list
Page 1 from 1

Material number: 6085.020.028 16 AS 2601 IT /
Plant: 078.03.01
Material-assembly-group-no: 6085.103.001



Pos.	Material number	Name	VKF	Amend. no.	Amend. start	Prod. no.	Material feature / tech. info.	OTK	External material no.	ID	Weight	SP
010	6085.303.011	PUMP HOUSING	1	74822				4	1,334	
020	0635.303.038	NEEDLE SLEEVE	1		00.00.0000		FA. INA HK 1212 1			4	0,000	
040	0634.313.568	O-RING	1		00.00.0000		ZFN 744 63 X 3			4	0,000	
050	6085.303.008	RING GEAR	1	74822				4	0,228	
060	6085.203.001	SHAFT	1	74822	KPL.			4	0,226	
080	0634.313.056	O-RING	1		00.00.0000		ZFN 744 37 X 3			4	0,000	
090	---	HEXAGON SCREW	1		00.00.0000		M8X80			3	0,000	
	0736.010.203	HEXAGON SCREW	1		00.00.0000		M8X80			4	0,033	
094	---	HEXAGON SCREW	1		00.00.0000		M8X80			3	0,000	
	0736.010.203	HEXAGON SCREW	1		00.00.0000		M8X80			4	0,033	
100	---	HEXAGON SCREW	1		00.00.0000		M8X30 ISO4017/8.8 A3C			3	0,000	
	0636.015.321	HEXAGON SCREW	1		00.00.0000		ISO 4017 M 8 X 30			4	0,000	
104	---	HEXAGON SCREW	1		00.00.0000		M8X80			3	0,000	
	0736.010.203	HEXAGON SCREW	1		00.00.0000		M8X80			4	0,033	
110	---	HEXAGON SCREW	1		00.00.0000		M8X80			3	0,000	
	0736.010.203	HEXAGON SCREW	1		00.00.0000		M8X80			4	0,033	
120	0631.306.717	CYLINDRICAL PIN	2	4414B	ZFN 6 8 H 8X 14			4	0,000	

VKF Incidence factor

OTK Optional technical kit

ID Identification (output code)

SP Supplier plant

© All rights reserved by ZF Friedrichshafen AG, even in the event of applications for copyright. We hold all rights of disposal, such as the right to copy and disseminate.
For information only, not subject to the amendment service.

06.08.2007



Pos.	Information	Amendment number
A10	CUSTOMER:AT FINAL PRODUCT	
A10	COUNTRY:	
A14	CUST.SPEC.NO:AT FINAL PRODUCT	
F34	PLUG CONNECTION:FRONT	
F34	TO GAERBOX 20 PINS	
F34	TO VEHICLE 20 PINS	
F60	STANDARD VOLTAGE: 24 VOLT	
S12	ECU: 18 HEX*PROGRAMMING:	

Assembly group overview

Page 1 from 1

Material number: 6009.074.031

16 AS 2601 IT /



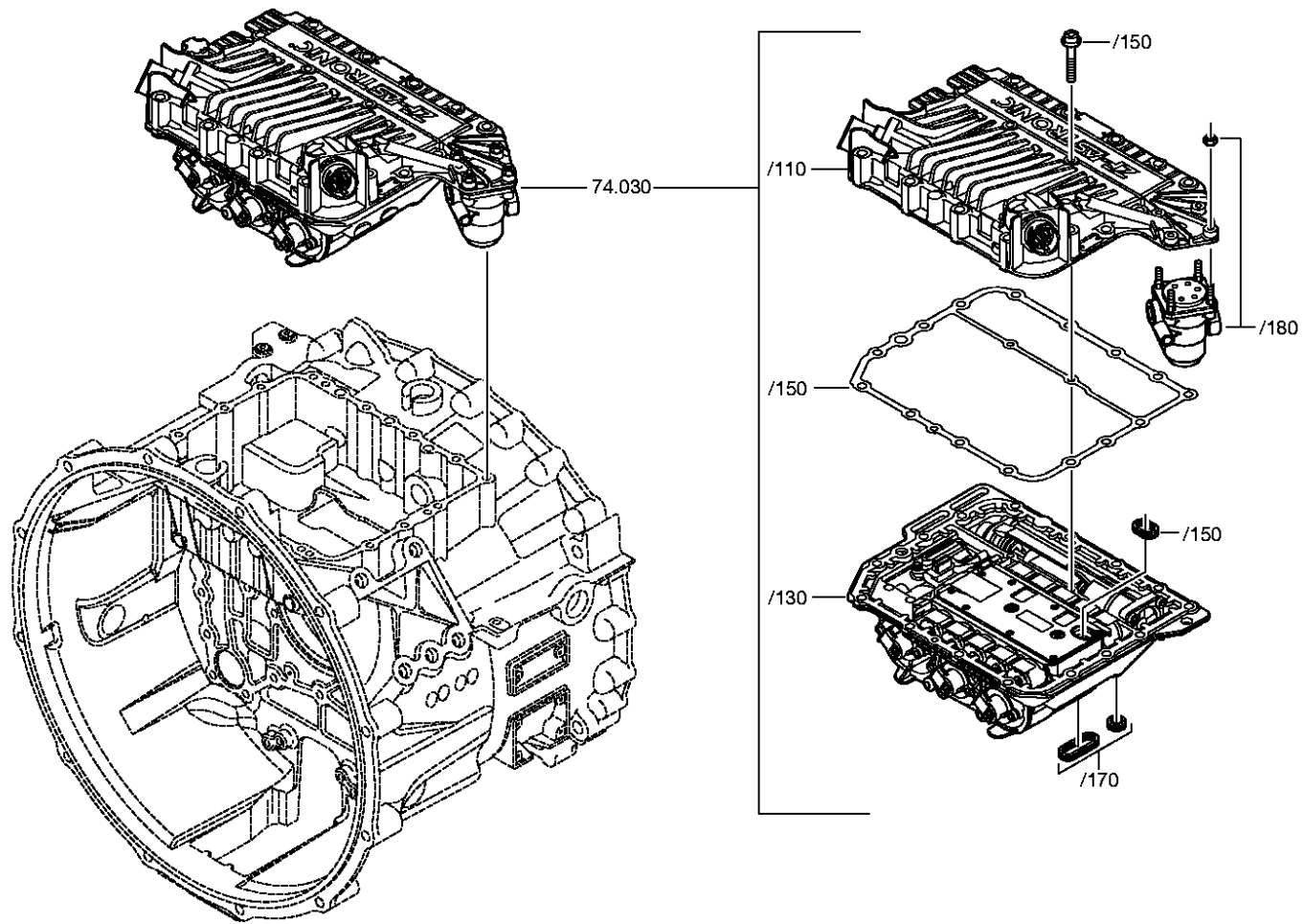
Graphics	Pos.	Material number	Name	VKF	Amend. no.	Amend. start	Prod. no.	Material feature / tech. info.	ID
106.36.03	110	6009.174.035	TRANSM.ACTUATOR	1		00.00.0000		STANDARD*20PINS	3
106.36.80	150	6009.174.807	ACCESSORIES	1		00.00.0000		GS 3*IVECO	3

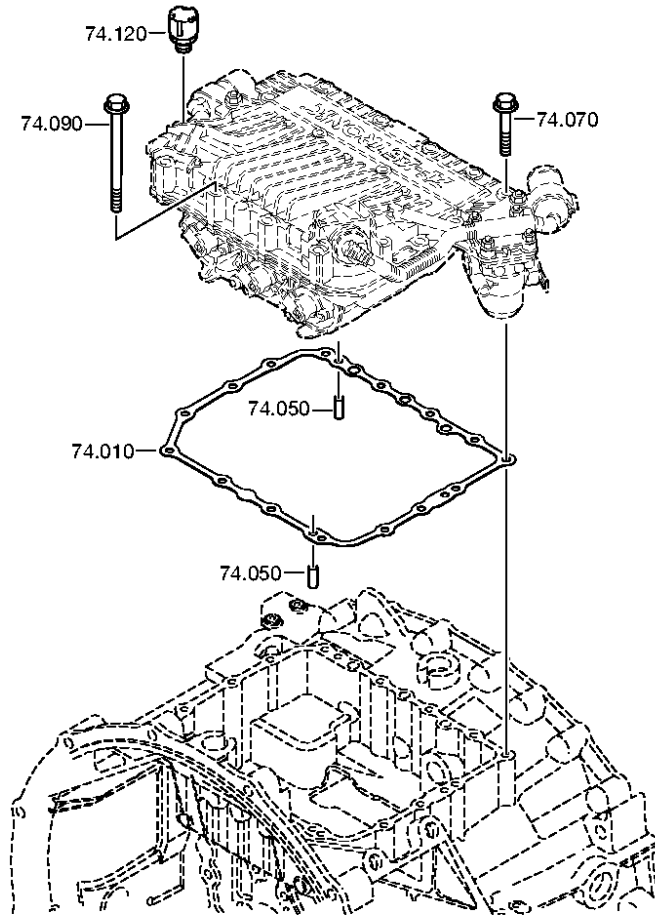
VKF Incidence factor

ID Identification (output code)

© All rights reserved by ZF Friedrichshafen AG, even in the event of applications for copyright. We hold all rights of disposal, such as the right to copy and disseminate.
For information only, not subject to the amendment service.

06.08.2007





Parts list
Page 1 from 1

Material number: 6009.074.031 16 AS 2601 IT /
Plant: 106.36.03
Material-assembly-group-no: 6009.174.035



Pos.	Material number	Name	VKF	Amend. no.	Amend. start	Prod. no.	Material feature / tech. info.	OTK	External material no.	ID	Weight	SP
010	0501.316.322	GASKET	1		00.00.0000		LOS 2			4	0,004	
030	6009.274.069	TRANSM.ACTUATOR	1		00.00.0000		KPL. GS3 STANDARD			3	10	
/110	6009.274.080	UPPER PART	1	7770D	KPL. GS3 STANDARD			4	0,000	
/130	6009.274.058	BOTTOM	1		00.00.0000		KPL. GS3			4	0,000	
/150	0501.323.922	SEAL KIT	1	1220F				4	0,000	
/180	0501.320.849	PRESS.RED.VALVE	1	5413C				4	0,396	
050	0631.306.863	CYLINDRICAL PIN	2		00.00.0000		ZFN 6 8 M 6X 16			4	0,000	
070	---	HEXAGON SCREW	9	4160E	M8X45Z1 ISO4014/10.9 A3CSM			3	0,000	
	0636.010.772	HEXAGON SCREW	9		00.00.0000		ISO 4014 M8X 45 Z1- DIN69			4	0,000	
090	---	HEXAGON SCREW	6	4131E	M8X70Z1 ISO4014/10.9 A3CSM			3	0,000	
	0636.010.774	HEXAGON SCREW	6		00.00.0000		ISO 4014 M8X 70 Z1- DIN69			4	0,000	
120	---	BREATHER	1		00.00.0000					3	0,000	
	0501.202.797	BREATHER	1		00.00.0000		KPL.			4	0,030	

VKF Incidence factor

OTK Optional technical kit

ID Identification (output code)

SP Supplier plant

© All rights reserved by ZF Friedrichshafen AG, even in the event of applications for copyright. We hold all rights of disposal, such as the right to copy and disseminate.
For information only, not subject to the amendment service.

06.08.2007



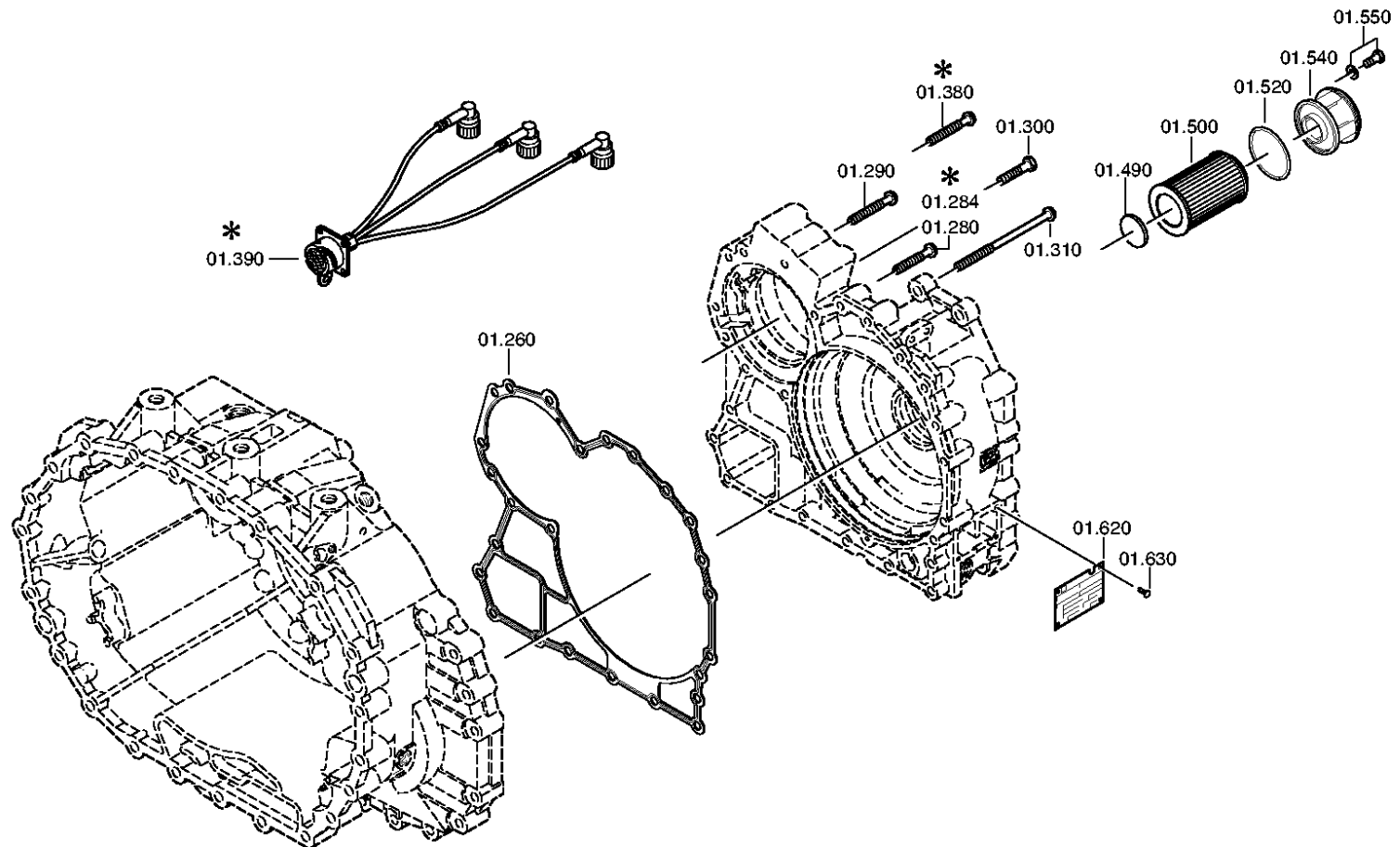
Pos.	Information	Amendment number
A10	CUSTOMER:GENERAL MARKETING	
A10	COUNTRY:	
A14	CUST.SPEC.NO:IN CATALOGUE/ON DATA SHEET	



Graphics	Pos.	Material number	Name	VKF	Amend. no.	Amend. start	Prod. no.	Material feature / tech. info.	ID
078.01.84	114	6085.101.822	HOUSING	1		00.00.0000		IT2200 *KOKILLE	3
078.02.80	124	6085.102.805	CONTROL UNIT	1		00.00.0000		WT-ANGEFL *SCHR.M10X110	3
078.05.01	170	6085.105.030	HEAT EXCHANGER	1		00.00.0000		TEMP.GEBER*WA-GARADE*BAJ	3
078.05.01	180	6085.105.800	HEAT EXCHANGER	1		00.00.0000		IT151/221*IT109*IT2200	3
078.08.04	220	6085.108.014	OUTPUT	1		00.00.0000		AD=180*LZ=4*D=15*L=109,5	3

VKF Incidence factor

ID Identification (output code)



Parts list
Page 1 from 1

Material number: 6085.177.097 16 AS 2601 IT /
Plant: 078.01.84
Material-assembly-group-no: 6085.101.822



Pos.	Material number	Name	VKF	Amend. no.	Amend. start	Prod. no.	Material feature / tech. info.	OTK	External material no.	ID	Weight	SP
260	0501.317.289	GASKET	1		00.00.0000		INTARDER ASTRONIC			4	0,043	
280	---	HEXAGON SCREW	16	8084B			M10X60Z1 DIN933A/10.9A3CSM			3	0,000	
	0636.015.601	HEXAGON SCREW	16		00.00.0000		DIN 933 ALT M 10 X 60 Z			4	0,000	
290	---	HEXAGON SCREW	4		00.00.0000		M10X80			3	0,000	
	0736.010.196	HEXAGON SCREW	4		00.00.0000		M10X80			4	0,056	
300	---	HEXAGON SCREW	2		00.00.0000		M10X40 DIN933ALT/10.9 A3C			3	0,000	
	0636.015.469	HEXAGON SCREW	2		00.00.0000		DIN 933 ALT M 10 X 40			4	0,000	
	0630.001.048	WASHER	2		00.00.0000		DIN 125 ALT 10,5			4	0,000	
310	---	HEXAGON SCREW	3		00.00.0000		M10X140			3	0,000	
	0736.010.182	HEXAGON SCREW	3		00.00.0000		M10X140			4	0,085	
490	1048.301.010	MAGNET	1		00.00.0000					4	0,000	
500	0750.131.003	SCREEN INSERT	1		00.00.0000		WTB			4	0,203	
520	0634.313.067	O-RING	1		00.00.0000		ZFN 744 70 X 3			4	0,000	
540	---	COVER	1		00.00.0000		WTB*IT FILTER*GD-AL/G-ALS			3	0,000	
	1315.378.074	COVER	1		00.00.0000					4	0,235	
	6085.301.020	COVER	1		00.00.0000					4	0,275	
550	---	HEXAGON SCREW	1		00.00.0000		M8X20Z2 ISO4017/8.8 A3C			3	0,000	
	0636.024.073	HEXAGON SCREW	1		00.00.0000		ISO 4017 M8X 20 Z2- DIN69			4	0,000	
620	0730.365.241	TYPE PLATE	1	5496D			EINHEITSSCH. VERDREHSICHER			4	0,000	
630	0731.101.047	BLIND RIVET	4		00.00.0000		*4173F-07TE0731.101.049			4	0,001	

VKF Incidence factor

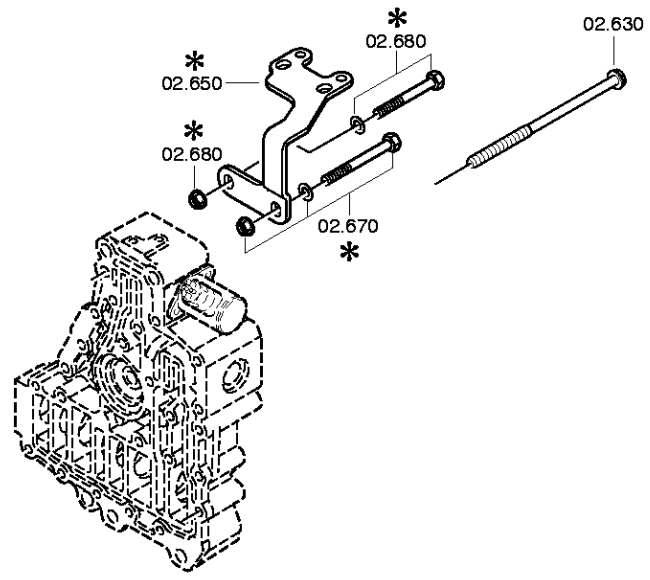
OTK Optional technical kit

ID Identification (output code)

SP Supplier plant

© All rights reserved by ZF Friedrichshafen AG, even in the event of applications for copyright. We hold all rights of disposal, such as the right to copy and disseminate.
For information only, not subject to the amendment service.

06.08.2007





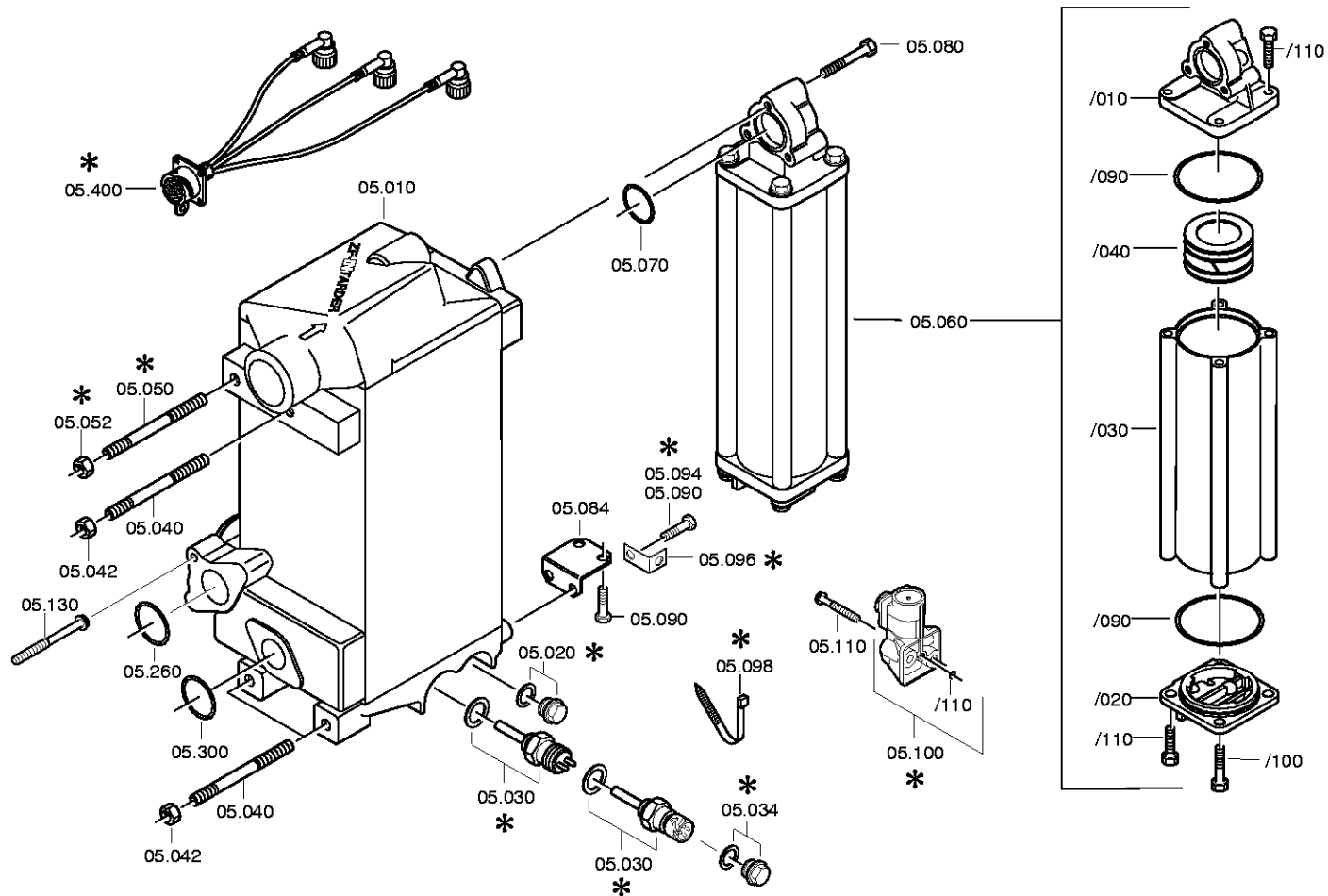
Pos.	Material number	Name	VKF	Amend. no.	Amend. start	Prod. no.	Material feature / tech. info.	OTK	External material no.	ID	Weight	SP
630	---	HEXAGON SCREW	1		00.00.0000		M10X110			3	0,000	
	0736.010.181	HEXAGON SCREW	1		00.00.0000		M10X110			4	0,070	

VKF Incidence factor

OTK Optional technical kit

ID Identification (output code)

SP Supplier plant





Pos.	Material number	Name	VKF	Amend. no.	Amend. start	Prod. no.	Material feature / tech. info.	OTK	External material no.	ID	Weight	SP
010	0501.214.018	HEAT EXCHANGER	1	3747D	KPL.			4	0,000	
030	---	TEMP.SENSOR	1	6720E	BAJONETT			3	0,000	
	0634.801.056	SEALING RING	1		00.00.0000		DIN 7603 A 18 X 22			4	0,000	
	0501.322.529	TEMP.SENSOR	1		00.00.0000					4	0,000	
040	---	STUD	4		00.00.0000		M12X120 DIN835/8.8 A3C			3	0,000	
	0636.604.410	STUD	4		00.00.0000		DIN 835 M 12 X120			4	0,000	
042	---	HEXAGON NUT	3		00.00.0000		M12 EN1661/10 A3C			3	0,000	
	0637.025.002	HEXAGON NUT	3		00.00.0000		EN 1661 M 12			4	0,000	
052	---	HEXAGON NUT	1		00.00.0000		M12 EN1661/10 A3C			3	0,000	
	0637.025.002	HEXAGON NUT	1		00.00.0000		EN 1661 M 12			4	0,000	
060	0501.209.460	ACCUMULATOR	1		00.00.0000		KPL.			3	3	
/010	0501.315.808	COVER	1		00.00.0000		ENTHALT.IN 0501 209 460(0)			4	0,451	
/020	0501.315.809	VALVE CARRIER	1		00.00.0000		ENTHALT.IN 0501 209 460(0)			4	0,305	
/030	0501.315.810	PIPE	1		00.00.0000		ENTHALT.IN 0501 209 460(0)			4	1,617	
/040	0501.210.277	PISTON	1		00.00.0000		KPL.			4	0,412	
/090	0634.316.510	O-RING	2		00.00.0000		ZFN 744 80 X 3			4	0,000	
/100	---	HEXAGON SCREW	1		00.00.0000		M10X60 DIN931ALT/8.8 A3C			3	0,000	
	0636.010.071	HEXAGON SCREW	1		00.00.0000		DIN 931 ALT M 10 X 60			4	0,000	
/110	---	HEXAGON SCREW	7		00.00.0000		M10X35 DIN933ALT/8.8 A3C			3	0,000	
	0636.015.227	HEXAGON SCREW	7		00.00.0000		DIN 933 ALT M 10 X 35			4	0,000	
070	0634.316.059	O-RING	1	9128B	ZFN 744 38 X 3			4	0,000	
080	---	HEXAGON SCREW	3		00.00.0000		M8X60Z1 ISO4014/10.9 A3CSM			3	0,000	
	0736.010.187	HEXAGON SCREW	3		00.00.0000		M8X60			4	0,027	
084	6085.305.007	FIXING PLATE	1		00.00.0000					4	0,046	
090	---	HEXAGON SCREW	4		00.00.0000		M8X18-F EN1665/8.8 A3C			3	0,000	
	0636.023.015	HEXAGON SCREW	4		00.00.0000		EN 1665 M 8X 18-F			4	0,000	
100	0501.321.459	VALVE	1	5298E				4	0,000	
110	---	HEXAGON SCREW	2		00.00.0000		M8X60Z1 ISO4014/10.9 A3CSM			3	0,000	
	0736.010.187	HEXAGON SCREW	2		00.00.0000		M8X60			4	0,027	
130	---	HEXAGON SCREW	1		00.00.0000		M8X115Z1 ISO4014/10.9 A3CSM			3	0,000	
	0636.010.778	HEXAGON SCREW	1		00.00.0000		ISO 4014 M8X115 Z1- DIN69			4	0,000	

VKF Incidence factor

OTK Optional technical kit

ID Identification (output code)

SP Supplier plant



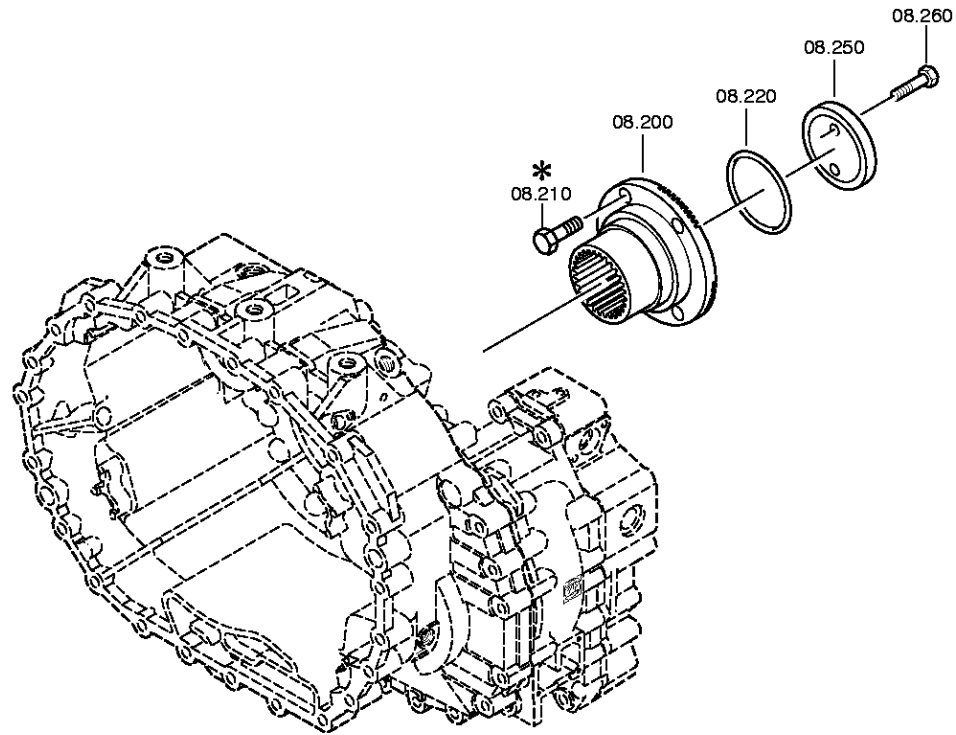
Pos.	Material number	Name	VKF	Amend. no.	Amend. start	Prod. no.	Material feature / tech. info.	OTK	External material no.	ID	Weight	SP
260	0634.313.056	O-RING	1		00.00.0000		ZFN 744 37 X 3			4	0,000	
300	0634.313.056	O-RING	1		00.00.0000		ZFN 744 37 X 3			4	0,000	

VKF Incidence factor

OTK Optional technical kit

ID Identification (output code)

SP Supplier plant





Pos.	Material number	Name	VKF	Amend. no.	Amend. start	Prod. no.	Material feature / tech. info.	OTK	External material no.	ID	Weight	SP
200	1314.332.054	OUTPUT FLANGE	1		00.00.0000					4	4	
220	0634.313.805	O-RING	1		00.00.0000		ZFN 744 82 X 4			4	0,000	
250	1312.332.028	WASHER	1		00.00.0000		ENTHALT.IN 1295 332 063(1)			4	0,660	
260	---	HEXAGON SCREW	2		00.00.0000		M12X60 DIN931ALT/10.9 A3C			3	0,000	
	0636.011.540	HEXAGON SCREW	2		00.00.0000		DIN 931 ALT M 12 X 60			4	0,000	

VKF Incidence factor

OTK Optional technical kit

ID Identification (output code)

SP Supplier plant