

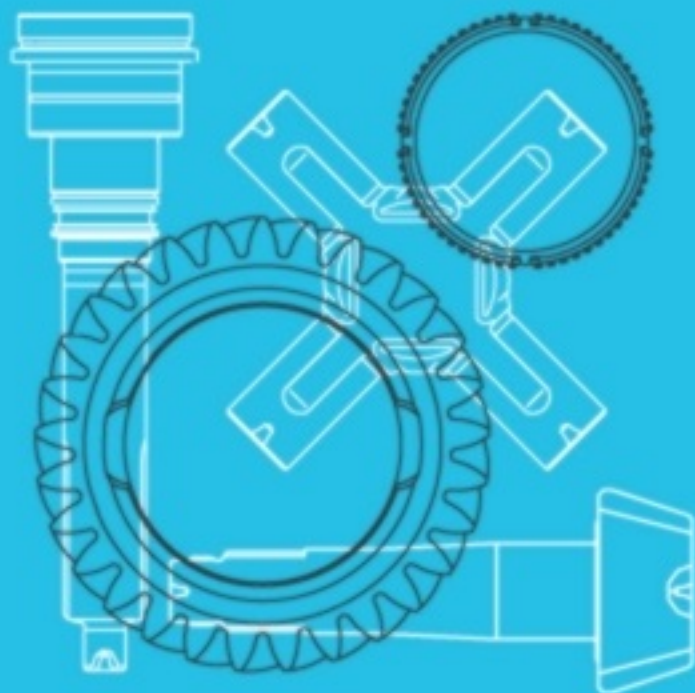


CEI

HIGH FIDELITY SPARE PARTS



Z.F. Old Range



n°
095



Maggio 2006

CERTIFICATE



Certificato Nr 50 100 3413

Si attesta che / *This is to certify that*

IL SISTEMA QUALITÀ DI
THE QUALITY SYSTEM OF

C.E.I.

COSTRUZIONE EMILIANA INGRANAGGI SPA

VIA EMILIA 239

I-40011 ANZOLA EMILIA (BO)

È CONFORME AI REQUISITI DELLA NORMA
HAS BEEN FOUND TO CONFORM TO THE REQUIREMENTS OF

UNI EN ISO 9001:2000

Questo certificato è valido per il seguente campo di applicazione
This certificate is valid for the following product or service range

**Progettazione, produzione e assemblaggi di parti ed
accessori di ricambio per veicoli industriali (EA 22a)**

***Design, manufacture, and assembling of spare parts
and accessories for industrial vehicles (EA 22a)***

Data/date

2003-10-21

Lead Auditor: Roberto Cioni

Data di scadenza/Expiry date

2006-10-10

SINCERT
ACCREDITAMENTO ORGANISMI DI CERTIFICAZIONE E ISPEZIONE

SGQ N° 049A
SGA N° 018D

Membro di MLA EA per gli schemi di accreditamento SGQ, SGA, PRD e PRS
e di MLA IAF per gli schemi di accreditamento SGQ, SGA e PRD
Signatory of EA MLA for the accreditation schemes QMS, EMS, Product and Personnel
and of IAF MLA for the accreditation schemes QMS, EMS and Product

Per l'Organismo di Certificazione
For the Certification Body
TÜV Italia S.r.l.
Cinisello Balsamo (MI)

Nico Mastrorillo
Management Representative



ELENCO CATALOGHI DISPONIBILI PER LE SEGUENTI GAMME DI NOSTRA PRODUZIONE

LIST OF THE AVAILABLE CATALOGUES FOR THE FOLLOWING PRODUCTION LINES
LISTE DES CATALOGUES DISPONIBLES POUR LES GAMMES DE PRODUCTION SUIVANTES
KATALOGE FÜR DIE FOLGENDEN PRODUKTION LINIEN
LISTADO DE LOS CATALOGOS PARA LAS LINEAS SIGUIENTES



400.001 IVECO



400.025 DAF Axles



400.050 MERCEDES



400.055 M.A.N.Axles



400.075 RENAULT V.I.



400.080 SCANIA



400.090 VOLVO



400.095 ZF Old Range



400.195 ZF Ecosplit



400.295 ZF Ecomid



400.901 Ricambi



Figures part denominations references and data contained in this catalogue are not binding.
CEI reserves the right to introduce any changes at any time without prior notice.

Le figure, le denominazioni, i riferimenti ed i dati contenuti nel presente catalogo non sono impegnativi.
La CEI si riserva di apportare in ogni momento e senza preavviso tutte le variazioni che riterrà opportune.

Les figures, les dénominations, les références et les spécifications contenues dans ce catalogue ne sont pas engageantes.
La CEI se réserve le droit d'apporter à tout moment et sans préavis les variantes éventuelles qu'elle croit utiles.

Die in diesem Katalog enthalten Abbildungen, Benennungen Zeichen und Angaben sind unverbindlich.
Die Firma CEI behält sich das Recht vor, jederzeit und ohne Viranzeige Änderungen vorzunehmen.

Las figuras, las denominaciones, las referencias y los datos contenidos en el presente catálogo no son empeñativos.
CEI puede hacer en cada momento y sin preaviso todas las variaciones que sean oportunas.

INTERCHANGEABILITY GUARANTY

Our spare parts are interchangeable with the originals ones; our products bear our trade-mark.
The original part numbers listed in this catalogue are for reference only.

GARANZIA DI INTERCambiABILITÀ

I nostri ricambi sono intercambiabili con gli originali; la nostra produzione riporta il nostro marchio.
I riferimenti originali sono esposti a semplice titolo indicativo.

GARANTIE D'INTERCHANGEABILITE

Nos pieces detachees sont interchangeables avec les originaux.
Nôtre production porte nôtre marque.
Les numeros originaux mentionné dans ce catalogue sont seulement à titre indicatif.

AUSTAUSCHBARKEITS-GARANTIE

Unsere ersatzteile sind austauschbar mit den Originalzahnradern.
Auf unseren Erzeugnissen ist unsere Schutzmarke aufgetragen.
Die im gegenwärtigen Kalatolg genannten Originalnummern nur zum Hinweis dienen.

GARANTIA DE INTERCambiABILIDAD

Nuestros recambios son intercambiables con los originales.
Todos nuestros productos, llevan grabada nuestra marca.
Las referencias originales impresas en nuestro catalogo figuran exclusivamente a titulo indicativo.

Suitable To :

ZF ÷ MERCEDES

Old Range

GV80

AK-680 and AK-680+GV80

S-680 and S680+GV80

GV90

AK-690 and AK-690+GV90

S-690 and S690+GV90

5K90GP/GPA

5K91GP/GPA

5S90 GP/GPA - 5S92

GV91

5K110GP/GPA

5K110GP/GPA+GV91

5S110GP/GPA

5S110GP/GPA+GV91

GV90/1

5S111GP

5S111GP+GV90/1

5S111GPA



E' vietato a chiunque utilizzare le immagini ed i dati di questo catalogo per fini diversi dalla semplice consultazione. CEI perseguirà penalmente, nelle opportuni sedi giudiziarie, chi dovesse utilizzare servilmente, anche tramite semplice fotocopiatura, scanner ecc., le immagini di questo catalogo per propri fini.

It is forbidden to use pictures and data contained in this catalogue for aims other than reference purpose. CEI will prosecute those using the imaging contained here in for one's own purpose, even by means of photocopier or scanner, in the appropriate forum.

Il est interdit à quiconque d'utiliser les images et les informations de ce catalogue dans un but autre qu'une simple consultation. CEI poursuivra civilement et pénalement, dans les sièges juridiques opportuns, tous ceux qui utiliseront servilement, y compris par simple photocopie, scannage, etc. (même à simple titre d'exemple), les images de ce catalogue pour des objectifs autres que ceux prévus par Cei spa.

Queda prohibido a toda persona utilizar las imágenes y los datos de este catálogo con otra finalidad que no sea la de consulta. CEI perseguirá civil y penalmente, ante la jurisdicción que corresponda, a toda persona que incurra en imitación servil, incluso mediante el simple fotocopiado, escaneado, etc. (la indicación vale sólo a título de ejemplo), de las imágenes de este catálogo, con finalidades ajenas a las de CEI S.p.a.

Die Anwendung der Bilder und Daten dieses Katalogs für andere Zwecke als die des Nachschlagens ist verboten. CEI behält sich vor, gegen diejenigen bei den entsprechend zuständigen Gerichtsstellen zivil- und strafrechtlich vorzugehen, die die Bilder dieses Katalogs auch nur durch einfaches Kopieren, Einscannen, usw. für andere Zwecke als die der Firma Cei spa verwenden sollten.

suitable to :

Z.F.

Old Range

GV80

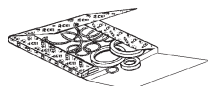
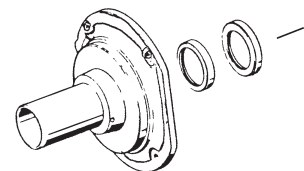
(1250 xxx xxx)

OLD RANGE
GV80

Ratios

Ratio	Note
6,70-0,690	A
7,67-0,780	B
8,90-0,840	C
9,00-0,835	D

All original equipment manufacturers numbers, symbols, pictures, models and description used in this catalogue are for reference only, and it is not implied that any part listed is the product of these manufactures.
Tutti i nostri particolari non sono originali ma con essi intercambiabili. I riferimenti originali, le figure, i modelli sono esposti a semplice titolo indicativo. La nostra produzione riporta il nostro marchio.

Suitable To : **ZF****Kits****Gasket Kit
24****Oil Seal Kit
23****Springs & Slides Kits**

x 3	x 6	x 9
x 3	x 6	x 9
x 3	x 6	x 9
Kit 20	Kit 21	Kit 22

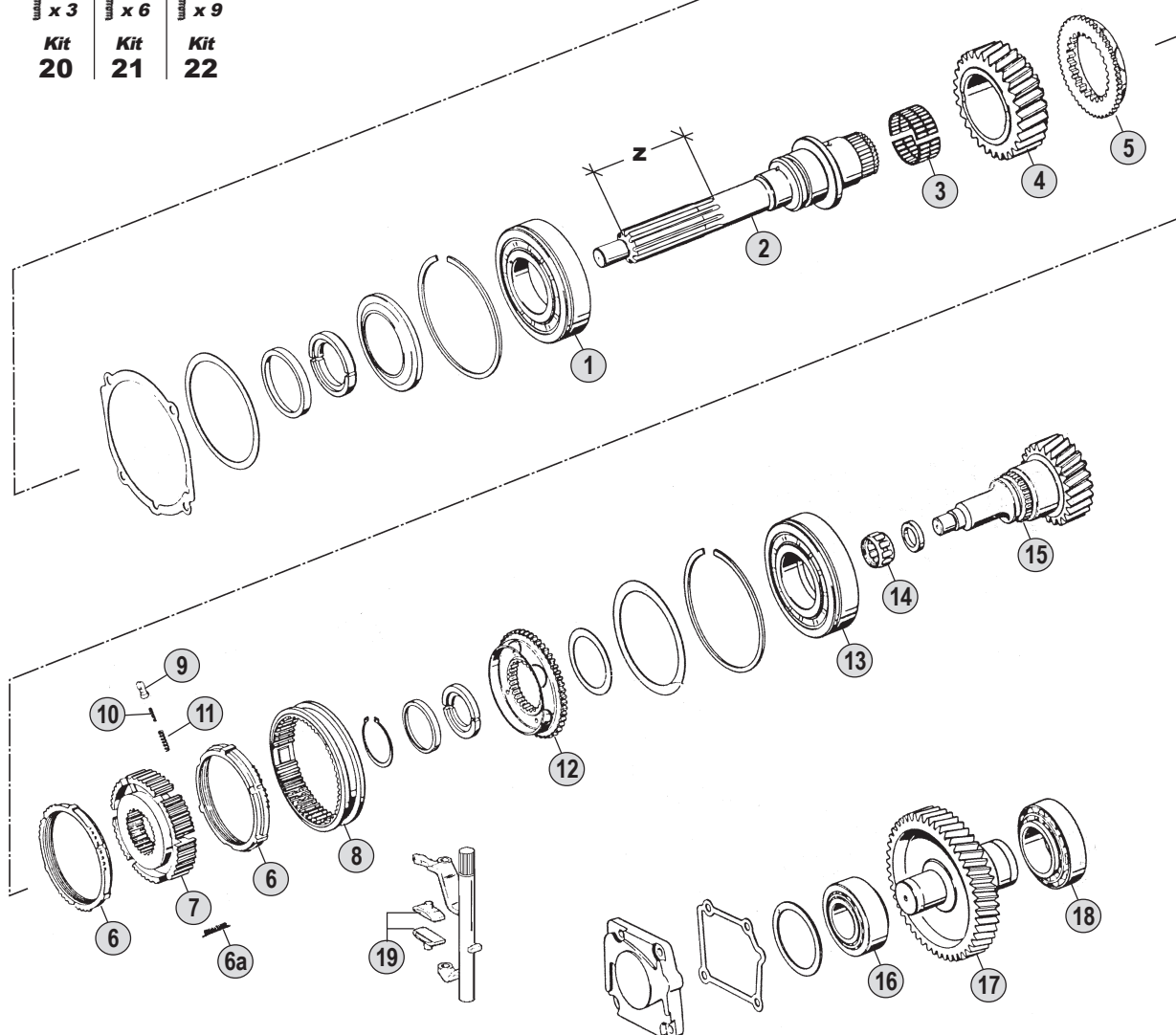
**Ratios**
GV80 A : 6,70 - 0,690 B : 7,67 - 0,780 C : 8,90 - 0,840 D : 9,00 - 0,835

Fig.	CEI no.	O.E.M. Reference		Description	Q.ty	Note	Ratio	GV80				
		ZF no.	MB no.									
1	130.699	0750 118 081	005 981 8701	Bearing D.70x150x35	1			●				
2	102.145	1250 312 291		Input shaft	1	Z=83 mm		●				
2	102.165	1250 312 171	336 264 0106	Input shaft	1	Z=88 mm		●				
2		1250 312 172		Input shaft	1	Z=105 mm		●				
2	103.049	1250 312 247	000 264 1706	Input shaft	1	Z=116 mm		●				
3	137.108	0750 115 089	011 981 1210	Needle Bearing D.68x74x45	1			●				
4		1250 312 083		Gear 23 T	1		A	●				
4		1250 312 077		Gear 25 T	1		B	●				
4	146.123	1250 312 161	366 262 0310	Gear 25 T	1		CD	●				
5	109.037	1250 312 366	000 264 0846	Synchronizer Cone	1			●				
6	119.080	1250 304 417	000 262 1934	Synchronizer Ring	2			●				
6	119.069	1240 304 384	000 262 0434	Synchronizer Ring	2	Old (*)		●				
6A	156.025	0732 020 030	336 264 0893	Spring L=31,50	3	Old		●				
7	155.090	1250 312 323	000 262 3635	Synchronizer Hub	1			●				
8	154.064	1240 304 272	000 262 0623	Sliding Sleeve	1			●				
8		1240 312 073	336 264 0023	Sliding sleeve	1	Old (**)		●				
9	160.116	1240 304 278	336 264 0239	Pressure Piece	3			●				
10	156.036	0732 040 386	336 264 0793	Inner Spring De.3x34	3			●				
11	156.037	0732 040 385	336 264 0693	Outer Spring De.6x34	3			●				
12	109.038	1250 312 364	000 264 0746	Synchronizer Cone	1			●				
13	130.258	0750 118 082	005 981 8501	Bearing D.70x150x35	1			●				
14	137.268	0735 358 032	002 981 3410	Needle Bearing D.22x38x19	1			●				
15		1250 312 124		Intermediate shaft 25 T	1		A	●				
15	105.041	1250 312 130	336 264 0205	Intermediate shaft 23 t.	1		B	●				
15		1250 312 308		Intermediate shaft 22 T	1		C	●				
15	105.040	1250 312 126	366 264 0105	Intermediate shaft 19 T	1		D	●				
16	130.234	0750 117 083	009 981 3301	Bearing D.50,8x95,2x27,7	1			●				
17		1250 312 271		Gear 37 T	1		A	●				
17		1250 312 266		Gear 46 T	1		B	●				
17	146.124	1250 312 270	000 262 1510	Gear 45 T	1		CD	●				
18		1246 203 011		Bearing	1			●				
19	141.146	1268 312 057	000 264 0749	Slide	2			●				
20	198.339	1268 298 938		Spring Slide Set	1			●				
21	198.564	CEI 198564		Spring Slide Set	1			●				
22	198.842	1295 298 933		Spring Slide Set	1			●				
23	198.417	1250 298 907		Oil Seal Kit	1			●				
24	198.418	1250 298 910		Gasket Kit	1			●				

Notes

- (*) Old Version with 3 spring holes. To be used with spring 156.025 (fig. 6A)
 (**) Old Version with bearing instead of bronze slide. To be used with 1st gen. only.
 Do no Mix

Date

05 / 2006

Table

0010 /

suitable to :

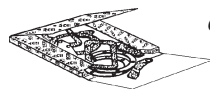
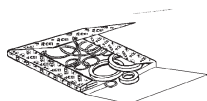
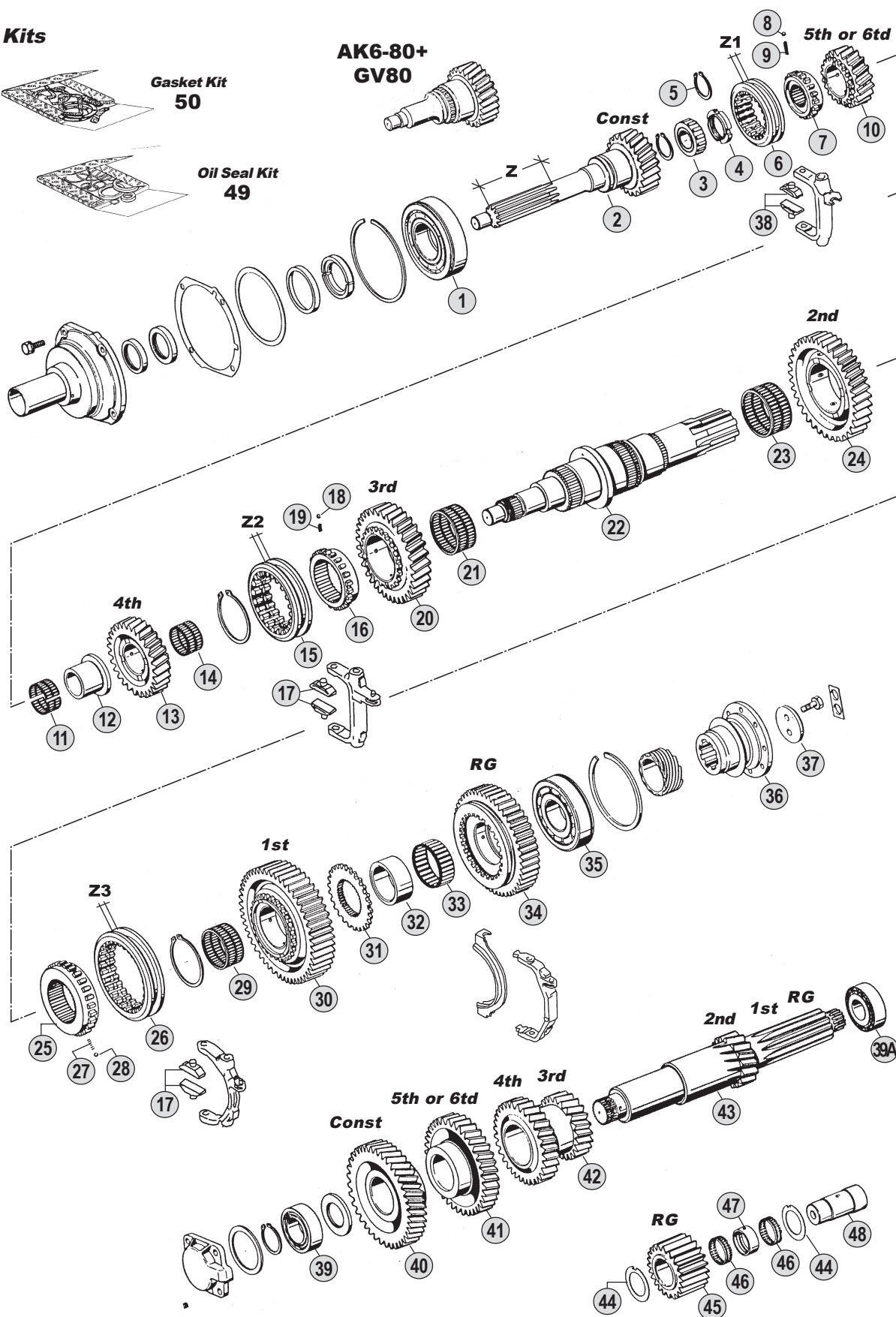
Z.F.**Old Range****AK6-80+GV80****(1250 xxx xxx)****Ratios**

Ratio	Note
6,70-0,690	A
7,67-0,780	B
9,00-0,835	D

AK6-80**(1250 xxx xxx)****Ratios**

Ratio	Note
6,70-0,730	E
6,70-0,820	F
7,53-0,820	G
9,00-1,000	H

OLD RANGE
AK6-80 & GV80

Suitable To: **ZF****AK6-80** and **AK6-80+GV****Kits****Gasket Kit
50****Oil Seal Kit
49****Ratios**

AK+GV	A: 6,70 - 0,690	B: 7,67 - 0,780	C:	D: 9,00 - 0,835
AK6-80	E: 6,70 - 0,690	F: 6,70 - 0,820	G: 7,53 - 0,820	H: 9,00 - 1,000

AK6-80+GV80
AK6-80

Fig.	CEI no.	O.E.M. Reference		Description	Q.ty	Note	Ratio					
		ZF no.	MB no.					AK6-80+GV80	AK6-80			
1	130.258	0750 118 082	005 981 8501	Bearing D.70x150x35	1			●				
2	102.073	1250 302 199	343 262 0102	Input Shaft 23 T	1	Z=90 mm	E	●				
2	102.362	1250 302 287		Input Shaft 23 T	1	Z=127 mm	E	●				
2	102.188	1250 302 259		Input Shaft 23 T	1	Z=115 mm	EF	●				
2	102.363	1250 302 187		Input Shaft 21 T	1		G(#)	●				
2	102.364	1250 302 452		Input Shaft 21 T	1		G(@)	●				
2	102.140	1250 302 192		Input Shaft 19 T	1	Z=104 mm	H(#)	●				
2	102.080	1250 302 196	366 262 0102	Input Shaft 19 T	1	Z=90 mm	H(#)	●				
2	102.160	1250 302 258	000 262 2502	Input Shaft 19 T	1	Z=112 mm	H(#)	●				
2	102.365	1250 302 294		Input Shaft 19 T	1	Z=82 mm	H(#)	●				
2		1250 302 464		Input shaft 19 t.	1		H(@)	●				
3	130.691	0750 118 090	006 981 4701	Bearing D.30x60x28	1			●	●			
4	187.245	0737 502 168	343 990 0360	Nut M40x1,5	1	Old Type		●	●			
5	111.018	0630 531 057	001 994 8841	Snap Ring M45x2,5	1	New Type		●	●			
6	154.099	1250 304 141	343 262 0323	Sliding Sleeve	1	Z1=12,0 mm (*)		●	●			
6	154.053	1250 304 362	000 262 2323	Sliding Sleeve	1	Z1=19,50 mm		●	●			
6	154.053	1250 304 362	000 262 2323	Sliding Sleeve	1	Z1=19,50 mm	GH(#)	●	●			
6	154.100	1250 304 440	000 262 3723	Sliding Sleeve	1	Z1=19,50 mm	GH(@)	●	●			
7	155.076	1250 304 185	343 262 0427	Synchronizer Hub	1			●	●			
7	155.076	1250 304 185	343 262 0427	Synchronizer Hub	1		GH(#)	●	●			
7	155.143	1272 304 124	000 262 1927	Synchronizer Hub	1		GH(@)	●	●			
8	171.014	0635 460 010	002 981 5685	Ball D.6	3			●	●			
9	156.150	1203 321 009	002 993 1801	Spring De.5,50x12	3			●	●			
10	145.203	1250 304 127	343 262 0115	Gear 6th Speed 22 T	1		AF	●	●			
10	145.841	1250 304 404		Gear 6th Speed 19 T	1		B	●	●			
10	145.216	1250 304 210	366 262 0115	Gear 5th Speed 24 T	1		D	●	●			
10	145.197	1250 304 384	000 262 1515	Gear 6th Speed 19 T	1		E	●	●			
10	145.197	1250 304 384	000 262 1515	Gear 6th Speed 19 T	1		G(#)	●	●			
10		1250 304 490		Gear 6th Speed 19 T	1		G(@)	●	●			
10	145.216	1250 304 210	366 262 0115	Gear 5th Speed 24 T	1		H(#)	●	●			
10		1250 304 461		Gear 5th Speed 24 T	1		H(@)	●	●			
11	137.091	0735 320 314	005 981 0510	Needle Cage D.57x63x42,5	1			●	●			
12	117.100	1250 304 142	343 262 0250	Bush	1			●	●			
13	145.842	1250 304 172		Gear 4th Speed 28 T	1		A	●	●			
13	145.198	1250 304 178	343 262 0114	Gear 4th Speed 26 T	1		BEF	●	●			
13	145.217	1250 304 217	366 262 0114	Gear 4th Speed 26 T	1		D	●	●			
13	145.198	1250 304 178	343 262 0114	Gear 4th Speed 26 T	1		G(#)	●	●			
13		1250 304 488		Gear 4th Speed 26 T	1		G(@)	●	●			
13	145.217	1250 304 217	366 262 0114	Gear 4th Speed 26 T	1		H(#)	●	●			
13		1250 304 487		Gear 4th Speed 26 T	1		H(@)	●	●			
14	137.092	0750 115 284	013 981 9110	Needle Cage D.58x65x35,50	1			●	●			
15	154.057	1250 304 306	343 262 0423	Sliding Sleeve	1	Z2=16,30 mm (**)		●	●			
15	154.056	1250 304 233	000 262 1023	Sliding Sleeve	1	Z2=19,50 mm		●	●			
15	154.056	1250 304 233	000 262 1023	Sliding Sleeve	1	L2=19,50 mm	GH(#)	●	●			
15	154.101	1250 304 441	000 262 3823	Sliding Sleeve	1	L2=19,50 mm	GH(@)	●	●			

Notes

- (# - @) Different coupling cone versions.To be coupled together. **DO NO MIX**
The new version (@) **dont use** balls and springs
(*) Old version with smaller sliding block. Use Sleeve 154.099 with sliding 141.062
(**) Old version without sliding block.

Date

05 / 2006

Table

0020 /

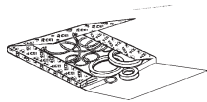
Suitable To: **ZF**

AK6-80 and **AK6-80+GV**

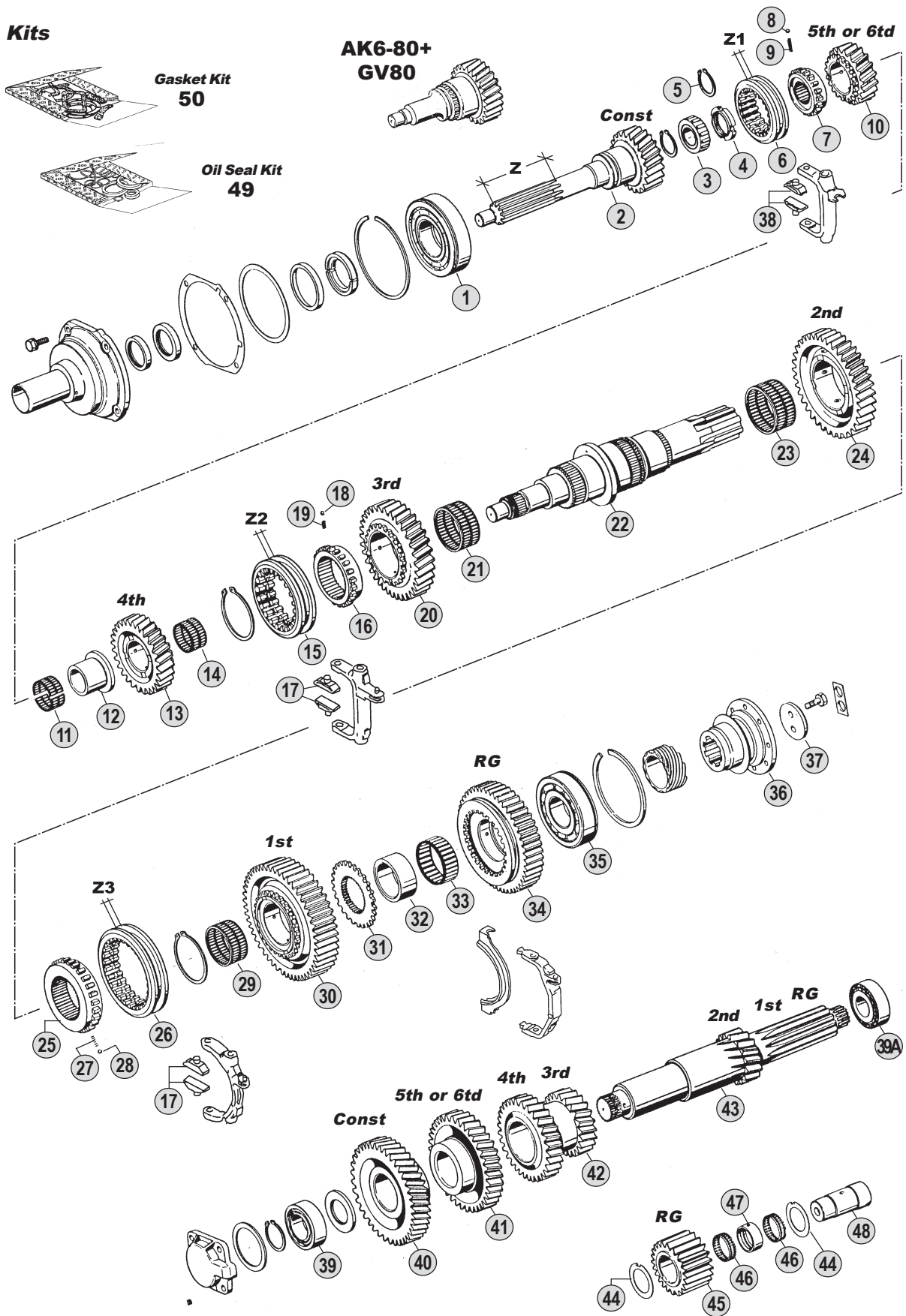
Kits



Gasket Kit 50



Oil Seal Kit 49



Ratios

AK+GV	A: 6,70 - 0,690	B: 7,67 - 0,780	C:	D: 9,00 - 0,835
AK6-80	E: 6,70 - 0,690	F: 6,70 - 0,820	G: 7,53 - 0,820	H: 9,00 - 1,000



All original equipment manufacturers' numbers, symbols, pictures, models and description used in this catalogue are for reference only, and it is not implied that any part listed is the product of these manufactures. Tutti i nostri particolari non sono originali ma con essi intercambiabili. I riferimenti originali, le figure, i modelli sono esposti a semplice titolo indicativo. La nostra produzione riporta il nostro marchio.

AK6-80+GV80
AK6-80

Fig.	CEI no.	O.E.M. Reference		Description	Q.ty	Note	Ratio						
		ZF no.	MB no.					AK6-80+GV80	AK6-80				
16	155.077	1250 304 234	343 262 0527	Synchronizer Hub	1			●	●				
16	155.077	1250 304 234	343 262 0527	Synchronizer Hub	1		GH(#)		●				
16	155.226	1250 304 454	000 262 2427	Synchronizer Hub	1		GH(@)		●				
17	141.068	1295 306 132	000 268 0849	Bronze Slide	2			●	●				
18	171.014	0635 460 010	002 981 5685	Ball D.6	3			●	●				
19	156.124	0732 040 497	343 264 0993	Spring De.6x7	3			●	●				
20	145.843	1250 304 173		Gear 3rd Speed 34 T	1		A	●					
20	145.199	1250 304 179	343 262 0113	Gear 3rd Speed 32 T	1		BDEF	●	●				
20	145.199	1250 304 179	343 262 0113	Gear 3rd Speed 32 T	1		GH(#)		●				
20		1250 304 453		Gear 3rd Speed 32 T	1		GH(@)		●				
21	137.093	0750 115 134	012 981 5910	Needle Cage D.80x88x39,50	1			●	●				
22	103.076	1250 304 129	343 262 0105	Main Shaft (8 Splines)	1	Old type w/nut		●	●				
22	103.041	1250 304 474	000 262 2405	Main Shaft (8 Splines)	1	New Type w/seeger		●	●				
22	103.040	1250 304 388	000 262 1405	Main Shaft (34 Splines)	1	Old type w/nut		●	●				
22	103.048	1250 304 473	000 262 2305	Main Shaft (34 Splines)	1	New type w/seeger		●	●				
23	137.094	0750 115 282	013 981 9210	Needle Cage D.95x103x39,5	1			●	●				
24	145.200	1250 304 029	343 262 0012	Gear 2nd Speed 36 T	1		ABDEF	●	●				
24	145.200	1250 304 029	343 262 0012	Gear 2nd Speed 36 T	1		GH(#)		●				
24		1250 304 448		Gear 2nd Speed 36 T	1		GH(@)		●				
25	155.078	1250 304 235	000 262 1527	Synchronizer Hub	1			●	●				
25	155.078	1250 304 235	000 262 1527	Synchronizer Hub	1		GH(#)		●				
25		1250 304 451		Hub	1		GH(@)		●				
26	154.058	1250 304 004	343 262 0023	Sliding Sleeve	1	Z3=16,30 mm (**)		●	●				
26	154.054	1250 304 236	000 262 1123	Sliding Sleeve	1	Z3=19,50 mm		●	●				
26	154.054	1250 304 236	000 262 1123	Sliding Sleeve	1	Z3=19,50 mm	GH(#)		●				
26	154.367	1246 304 237	000 262 5223	Sliding Sleeve	1	Z3=19,50 mm	GH(@)		●				
27	156.150	1203 321 009	002 993 1801	Spring De.5,50x12	3			●	●				
28	171.014	0635 460 010	002 981 5685	Ball D.6	3			●	●				
29	137.095	0750 115 283	002 981 1710	Needle Cage D.80x88x46	1			●	●				
30	145.201	1250 304 240	336 262 0011	Gear 1st Speed 50 T	1		ABDEF	●	●				
30	145.201	1250 304 240	336 262 0011	Gear 1st Speed 50 T	1		GH(#)		●				
30		1250 304 446		Gear 1st Speed 50 T	1		GH(@)		●				
31	109.030	1250 304 006	343 262 0036	Follower Ring	1			●	●				
32	117.101	0730 160 344	343 262 0350	Bush D.70x84x48,70	1			●	●				
33	137.096	0735 320 154	001 981 7410	Needle Cage D.84x96x36	1			●	●				
34	147.066	1250 304 140	343 262 0211	Reverse Gear 47 T	1			●	●				
35	130.264	0635 333 049	000 981 9025	Bearing D.70x150x35	1			●	●				
36	155.075	1250 304 107	343 262 0145	Output Flange D.150	1	8 spl.		●	●				
36	155.079	1250 204 008	366 260 0017	Output Flange D.165	1	8 spl.		●	●				
36	155.102	1268 304 136	000 262 0745	Output Flange D.150	1	34 spl.		●	●				
36	197.067	1268 304 148	000 264 1445	Output Flange D.165	1	34 spl.		●	●				
37	188.070	1240 304 117	343 262 0062	Stop Washer	1			●	●				
38	141.068	1295 306 132	000 268 0849	Bronze Slide	1			●	●				
38	141.062	1240 306 234	000 265 0549	Bronze Slide	1	Old (*)		●	●				
39	130.234	0750 117 083	009 981 3301	Bearing D.50,8x95,2x27,7	1			●	●				

Notes

(# - @) Different coupling cone versions.To be coupled together. **DO NO MIX**The new version (@) **dont use** balls and springs

(*) Old version with smaller sliding block. Use Sleeve 154.099 with sliding 141.062

(**) Old version without sliding block.

Date

05 / 2006

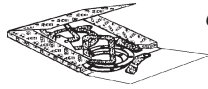
Table

0020 /

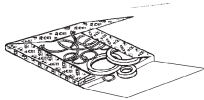
Suitable To: **ZF**

AK6-80 and **AK6-80+GV**

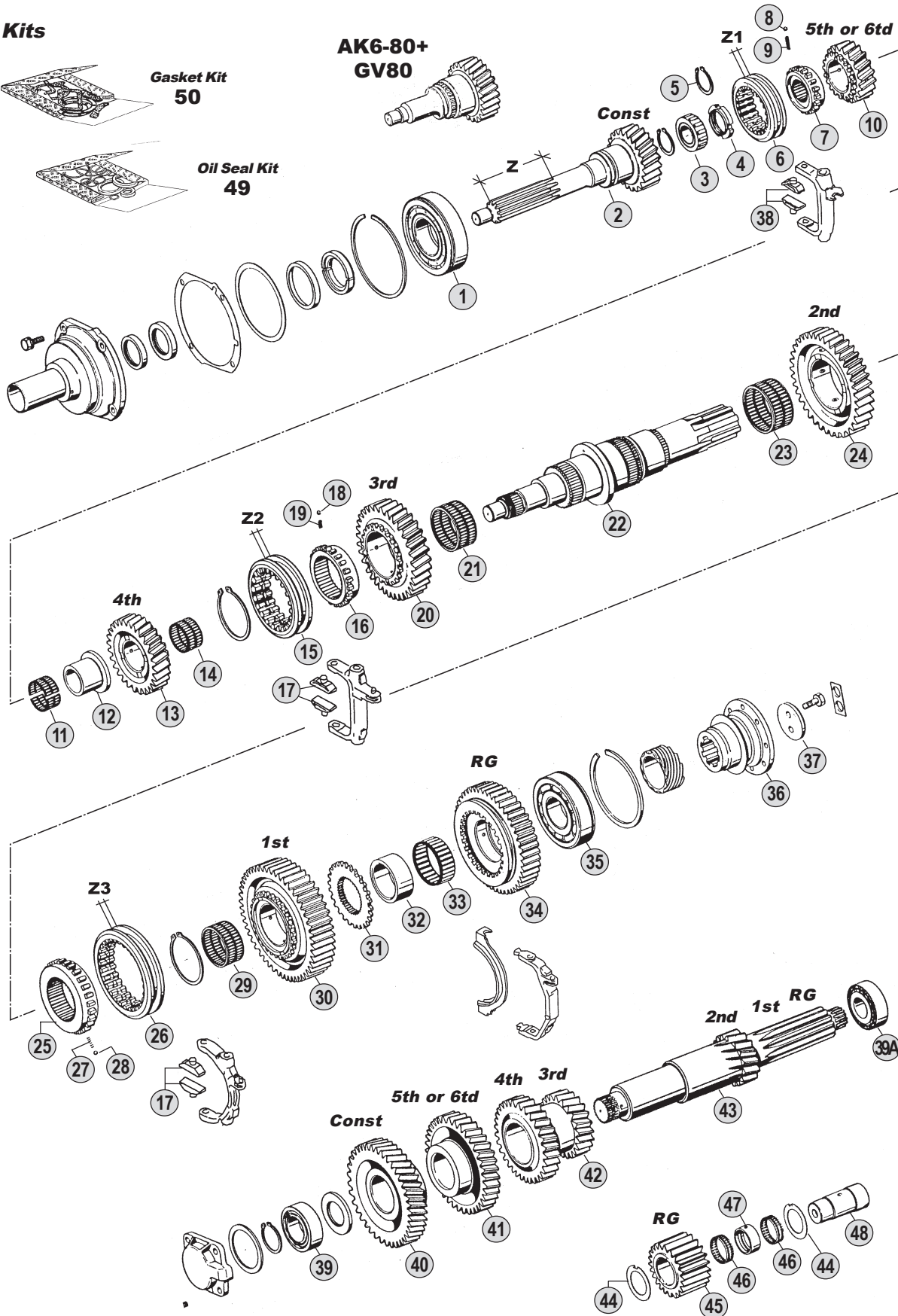
Kits



Gasket Kit 50



Oil Seal Kit 49



Ratios

AK+GV	A: 6,70 - 0,690	B: 7,67 - 0,780	C:	D: 9,00 - 0,835
AK6-80	E: 6,70 - 0,690	F: 6,70 - 0,820	G: 7,53 - 0,820	H: 9,00 - 1,000



All original equipment manufacturers' numbers, symbols, pictures, models and description used in this catalogue are for reference only, and it is not implied that any part listed is the product of these manufactures. Tutti i nostri particolari non sono originali ma con essi intercambiabili. I riferimenti originali, le figure, i modelli sono esposti a semplice titolo indicativo. La nostra produzione riporta il nostro marchio.

AK6-80+GV80
AK6-80

All original equipment manufacturers numbers, symbols, pictures, models and description used in this catalogue are for reference only, and it is not implied that any part listed is the product of these manufactures. Tutti i nostri particolari non sono originali ma con essi intercambiabili. I riferimenti originali, le figure, i modelli sono esposti a semplice titolo indicativo. La nostra produzione riporta il nostro marchio.

Fig.	CEI no.	O.E.M. Reference		Description	Q.ty	Note	Ratio						
		ZF no.	MB no.					AK6-80+GV80	AK6-80				
39A	130.233	1246 203 008	001 980 9602	Roller bearing D.44,45x95,25x28,	1			●	●				
40	146.591	1250 303 116		Constant Gear 34 T	1		A	●					
40	146.098	1250 303 111	000 263 1610	Constant Gear 37 T	1		BEF	●	●				
40	146.103	1250 303 112	000 263 1710	Constant Gear 41 T	1		DH	●	●				
40	146.592	1250 303 113		Constant Gear 38 T	1		G		●				
41	146.102	1250 303 048	343 263 0215	Gear 6th Speed 43 T	1		AF	●	●				
41	146.593	1250 303 060		Gear 6th Speed 39 T	1		B	●					
41	146.104	1250 303 074	366 263 0015	Gear 5th Speed 36 T	1		DH	●	●				
41	146.099	1250 303 058	336 263 0115	Gear 6th Speed 42 T	1		EG		●				
42	143.126	1250 303 049		Double Gear 3rd/4th-21-26 T	1		A	●					
42	143.035	1250 303 056	343 263 0114	Double Gear 3rd/4th-22/29 T	1		BEFG	●	●				
42	143.037	1250 303 062	366 263 0114	Double Gear 3rd/4th-22/27 T	1		DH	●	●				
43	105.038	1250 203 002	000 260 0224	Countershaft 12-15 T	1			●	●				
44	169.234	0730 150 064	343 263 0062	Thrust Washer	2			●	●				
45	147.065	1250 305 033	000 263 0931	Reverse Gear 21 T	1			●	●				
46	137.007	0750 115 011	010 981 1010	Needle Cage D.45x53x21	2			●	●				
47	169.443	1250 305 006	000 263 0650	Spacer	1			●	●				
48	107.072	1250 305 003	343 263 0030	Reverse Pin	1			●	●				
49	198.417	1250 298 907		Oil Seal Kit	1			●	●				
50	198.418	1250 298 910		Gasket Kit	1			●	●				

AK6-80
1250 xxx xxx

Notes

- (# - @) Different coupling cone versions.To be coupled together. **DO NO MIX**
The new version (@) **dont use** balls and springs
- (*) Old version with smaller sliding block. Use Sleeve 154.099 with sliding 141.062
- (**) Old version without sliding block.

Date

05 / 2006

Table

0020 /



suitable to :

Z.F.**Old Range****S6-80+GV80****(1250 xxx xxx)****Ratios**

Ratio	Note
6,70-0,690	A
7,67-0,780	B
8,90-0,840	C
9,00-0,835	D

S6-80**(1250 xxx xxx)****Ratios**

Ratio	Note
6,10-0,660	E
6,99-0,820	F
6,70-0,730	G
6,70-0,780	H
6,70-0,820	L
7,41-1,000	M
7,53-0,820	N
8,90-1,000	P
9,00-1,000	Q
9,00-1,000	R

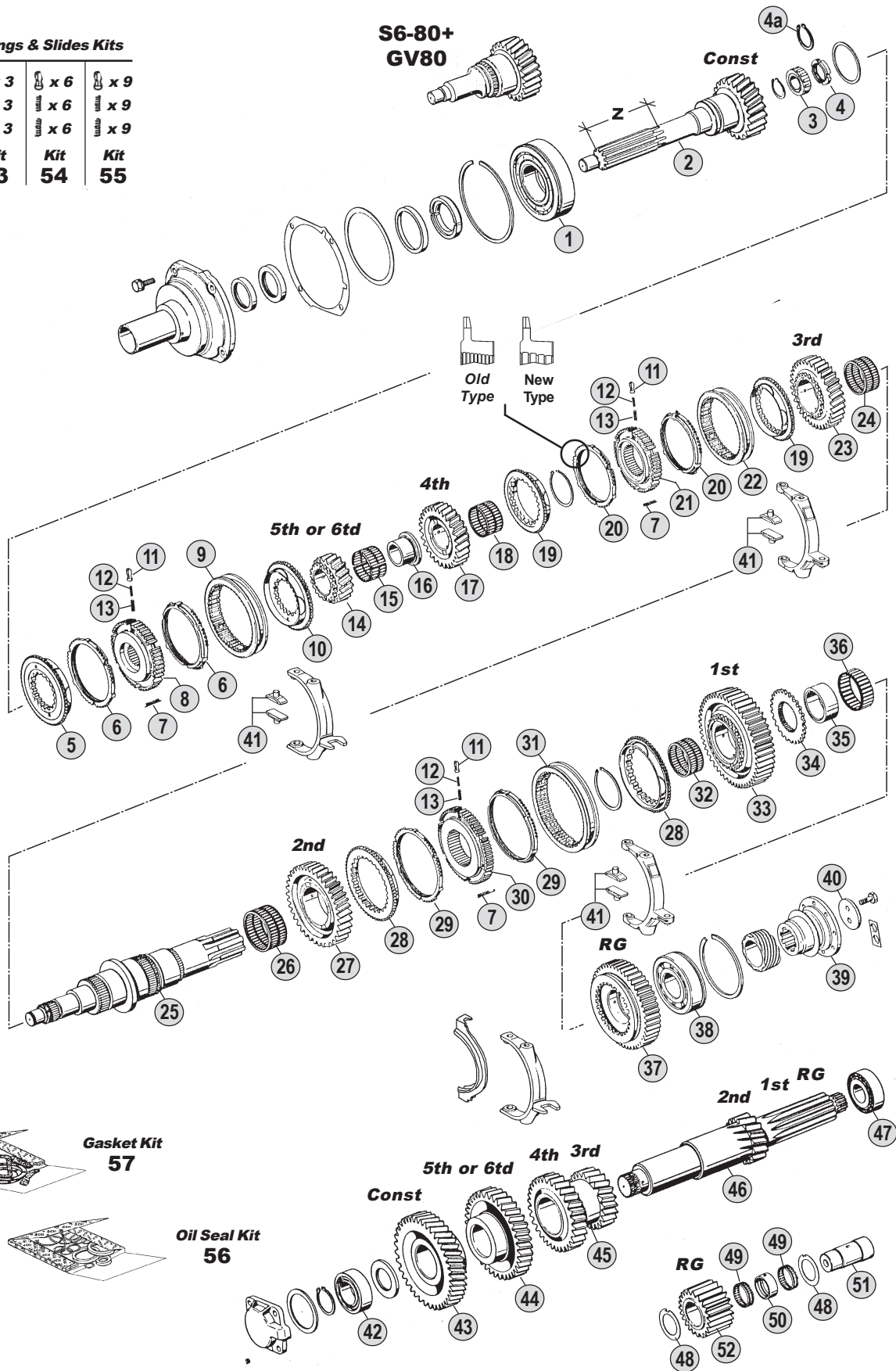
OLD RANGE
S6-80 & GV80

Suitable To : **ZF**

S6-80 and **S6-80+GV**

Springs & Slides Kits

x 3	x 6	x 9
x 3	x 6	x 9
x 3	x 6	x 9
Kit 53	Kit 54	Kit 55



Kits



Gasket Kit 57



Oil Seal Kit 56

Ratios

S680+GV	A : 6,70 - 0,690	B : 7,67 - 0,780	C : 8,90 - 0,840	D : 9,00 - 0,835
S6-80	E : 6,10 - 0,660	F : 6,99 - 0,820	G : 6,70 - 0,730	H : 6,70 - 0,780
	M : 7,41 - 1,000	N : 7,53 - 0,820	P : 8,90 - 1,000	Q : 9,00 - 1,000



All original equipment manufacturers' numbers, symbols, pictures, models and description used in this catalogue are for reference only, and it is not implied that any part listed is the product of these manufactures. Tutti i nostri particolari non sono originali ma con essi intercambiabili. I riferimenti originali, le figure, i modelli sono esposti a semplice titolo indicativo. La nostra produzione riporta il nostro marchio.

Fig.	CEI no.	O.E.M. Reference		Description	Q.ty	Note	Ratio	S6-80+GV80 S6-80					
		ZF no.	MB no.										
1	130.258	0750 118 082	005 981 8501	Bearing D.70x150x35	1			●					
2	102.139	1250 302 303		Input Shaft 24 T	1	Z=112 mm	E	●					
2	102.366	1250 302 392		Input Shaft 28 T	1		F	●					
2	102.362	1250 302 287		Input Shaft 23 T	1	Z=127 mm	G	●					
2	102.188	1250 302 259		Input Shaft 23 T	1	Z=115 mm	GHL	●					
2	102.367	1250 302 186		Input Shaft 23 T	1	Z=102 mm	L	●					
2	102.211	1250 302 378		Input Shaft 27 T	1	Z=127 mm	M	●					
2	102.200	1250 302 260	000 262 3402	Input Shaft 27 T	1	Z=113 mm	M	●					
2	102.210	1250 302 445		Input Shaft 27 T	1	Z=89 mm	M	●					
2	102.363	1250 302 187		Input Shaft 21 T	1		N	●					
2	102.368	1250 302 304		Input Shaft 22 T	1	Z=110 mm	P	●					
2	102.140	1250 302 192		Input Shaft 19 T	1	Z=104 mm	Q	●					
2	102.080	1250 302 196	366 262 0102	Input Shaft 19 T	1	Z=90 mm	Q	●					
2	102.160	1250 302 258	000 262 2502	Input Shaft 19 T	1	Z=112 mm	QR	●					
2	102.365	1250 302 294		Input Shaft 19 T	1	Z=82 mm	Q	●					
3	130.691	0750 118 090	006 981 4701	Bearing D.30x60x28	1			●	●				
4	187.245	0737 502 168	343 990 0360	Nut M40x1,5	1	Old Type		●	●				
4A	111.018	0630 531 057	001 994 8841	Snap Ring M45x2,5	1	New Type		●	●				
5	109.028	1272 304 136	000 262 1740	Synchronizer Cone	1			●	●				
6	119.042	1272 304 076	000 262 1334	Synchronizer Ring	2	Old Type		●	●				
6	119.163	1272 304 166	000 262 8834	Synchronizer Ring	2	New Type		●	●				
6	119.054	1250 304 226	336 262 0734	Synchronizer Ring	2	Oldest(*)		●	●				
7	156.025	0732 020 030	336 264 0893	Spring L=31,50	3	Oldest		●	●				
8	155.060	1272 304 078	000 262 2235	Synchronizer Hub	1			●	●				
9	154.032	1272 304 077	000 262 1923	Sliding Sleeve	1			●	●				
10	109.031	1250 304 292	336 262 0240	Synchronizer Cone	1			●	●				
11	160.116	1240 304 278	336 264 0239	Pressure Piece	3			●	●				
12	156.036	0732 040 386	336 264 0793	Inner Spring De.3x34	3			●	●				
13	156.037	0732 040 385	336 264 0693	Outer Spring De.6x34	3			●	●				
14	145.844	1250 304 514		Gear 6th Speed 22 T	1		AL	●	●				
14	145.841	1250 304 404		Gear 6th Speed 19 T	1		BH	●	●				
14	145.845	1250 304 400		Gear 5th Speed 27 T	1		CP	●	●				
14	145.846	1250 304 502	000 262 4015	Gear 5th Speed 24 T	1		DQ	●	●				
14	145.847	1250 304 513		Gear 6th Speed 19 T	1		EGN	●	●				
14	145.848	1250 304 299		Gear 6th Speed 26 T	1		F	●	●				
14	145.421	1250 304 305	000 262 0615	Gear 5th Speed 30 T	1		M	●	●				
14	145.849	1250 304 135		Gear 5th Speed 23 T	1		R	●	●				
15	137.091	0735 320 314	005 981 0510	Needle Cage D.57x63x42,5	1			●	●				
16	117.100	1250 304 142	343 262 0250	Bush	1			●	●				
17	145.842	1250 304 172		Gear 4th Speed 28 T	1		A	●	●				
17	145.198	1250 304 178	343 262 0114	Gear 4th Speed 26 T	1		BEGHL	●	●				
17	145.850	1250 304 399		Gear 4th Speed 31 T	1		CP	●	●				
17	145.217	1250 304 217	366 262 0114	Gear 4th Speed 26 T	1		DQ	●	●				
17	145.851	1250 304 444		Gear 4th Speed 31 T	1		F	●	●				
17	145.440	1250 304 256	000 262 0414	Gear 4th Speed 29 T	1		M	●	●				

Notes

(*) Old Version with 3 spring holes. To be used with spring 156.025 (fig. 7)

Date

05 / 2006

Table

0030 /

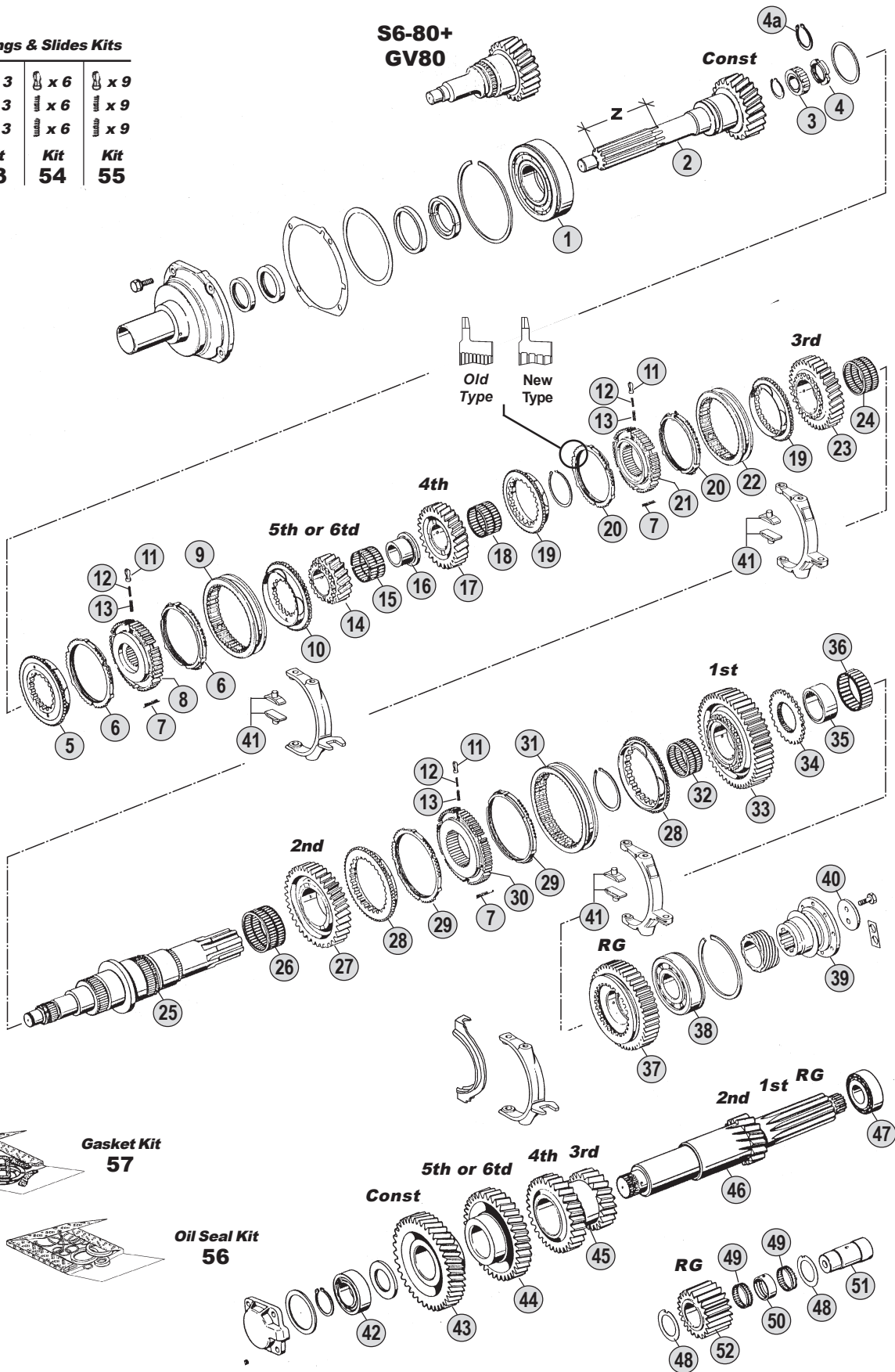
All original equipment manufacturers numbers, symbols, pictures and description used in this catalogue are for reference only, and it is not implied that any part listed is the product of these manufactures. Tutti i nostri particolari non sono originali ma con essi intercambiabili. I riferimenti originali, le figure, i modelli sono esposti a semplice titolo indicativo. La nostra produzione riporta il nostro marchio.

Suitable To : **ZF**

S6-80 and **S6-80+GV**

Springs & Slides Kits

x 3	x 6	x 9
x 3	x 6	x 9
x 3	x 6	x 9
Kit 53	Kit 54	Kit 55



Kits



Ratios

S680+GV	A : 6,70 - 0,690	B : 7,67 - 0,780	C : 8,90 - 0,840	D : 9,00 - 0,835
S6-80	E : 6,10 - 0,660	F : 6,99 - 0,820	G : 6,70 - 0,730	H : 6,70 - 0,780
	M : 7,41 - 1,000	N : 7,53 - 0,820	P : 8,90 - 1,000	Q : 9,00 - 1,000



All original equipment manufacturers' numbers, symbols, pictures, models and description used in this catalogue are for reference only, and it is not implied that any part listed is the product of these manufactures. Tutti i nostri particolari non sono originali ma con essi intercambiabili. I riferimenti originali, le figure, i modelli sono esposti a semplice titolo indicativo. La nostra produzione riporta il nostro marchio.

Fig.	CEI no.	O.E.M. Reference		Description	Q.ty	Note	Ratio	S6-80+GV80 S6-80						
		ZF no.	MB no.											
17	145.198	1250 304 178	343 262 0114	Gear 4th Speed 26 T	1		NR	●						
18	137.092	0750 115 284	013 981 9110	Needle Cage D.58x65x35,50	1			●	●					
19	109.022	1250 304 351	000 262 0340	Synchronizer Cone	2			●	●					
20	119.042	1272 304 076	000 262 1334	Synchronizer Ring	2	Old Type		●	●					
20	119.162	1272 304 165	000 262 6834	Synchronizer ring	2	New Type		●	●					
20	119.054	1250 304 226	336 262 0734	Synchronizer Ring	2	Oldest(*)		●	●					
21	155.061	1250 304 396	000 262 3035	Synchronizer Hub	1			●	●					
22	154.032	1272 304 077	000 262 1923	Sliding Sleeve	1			●	●					
23	145.843	1250 304 173		Gear 3rd Speed 34 T	1		A	●						
23	145.199	1250 304 179	343 262 0113	Gear 3rd Speed 32 T	1		BDEGHL	●	●					
23	145.852	1250 304 443		Gear 3rd Speed 33 T	1		F	●						
23	145.853	1250 304 398		Gear 3rd Speed 33 T	1		CP	●	●					
23	145.422	1250 304 257	000 262 0413	Gear 3rd Speed 34 T	1		M	●						
23	145.199	1250 304 179	343 262 0113	Gear 3rd Speed 32 T	1		NQR	●						
24	137.093	0750 115 134	012 981 5910	Needle Cage D.80x88x39,50	1			●	●					
25	103.076	1250 304 129	343 262 0105	Main Shaft (8 Splines)	1	Old type w/nut		●	●					
25	103.041	1250 304 474	000 262 2405	Main Shaft (8 Splines)	1	New type w/seeger		●	●					
25	103.040	1250 304 388	000 262 1405	Main Shaft (34 Splines)	1	Old type w/nut		●	●					
25	103.048	1250 304 473	000 262 2305	Main Shaft (34 Splines)	1	New type w/seeger		●	●					
26	137.094	0750 115 282	013 981 9210	Needle Cage D.95x103x39,5	1			●	●					
27	145.200	1250 304 029	343 262 0012	Gear 2nd Speed 36 T	1			●	●					
28	109.029	1250 304 350	000 262 0240	Synchronizer Cone	2			●	●					
29	119.055	1250 304 472		Synchronizer Ring	2	Old Type		●	●					
29	119.164	1250 304 391	000 262 1634	Synchronizer Ring	2	New Type		●	●					
29	119.068	1250 304 227	336 262 0634	Synchronizer Ring	2	Oldest(*)		●	●					
30	155.062	1250 304 401	000 262 2935	Synchronizer Hub	1			●	●					
31	154.051	1257 304 020	336 262 0023	Sliding Sleeve 1st-2nd Speed	1			●	●					
32	137.095	0750 115 283	002 981 1710	Needle Cage D.80x88x46	1			●	●					
33	145.201	1250 304 240	336 262 0011	Gear 1st Speed 50 T	1			●	●					
34	109.030	1250 304 006	343 262 0036	Follower Ring	1			●	●					
35	117.101	0730 160 344	343 262 0350	Bush D.70x84x48,70	1			●	●					
36	137.096	0735 320 154	001 981 7410	Needle Cage D.84x96x36	1			●	●					
37	147.066	1250 304 140	343 262 0211	Reverse Gear 47 T	1			●	●					
38	130.258	0750 118 082	005 981 8501	Bearing D.70x150x35	1			●	●					
39	155.075	1250 304 107	343 262 0145	Output Flange D.150	1	8 Spl.		●	●					
39	155.079	1250 204 008	366 260 0017	Output Flange D.165	1	8 spl.		●	●					
39	155.102	1268 304 136	000 262 0745	Output Flange D.150	1	34 spl.		●	●					
39	155.132	1269 338 028	000 264 0845	Output Flange D.165 (8 holes)	1	34 spl.		●	●					
40	188.070	1240 304 117	343 262 0062	Stop Washer	1			●	●					
41	141.061	1272 334 003	000 268 0149	Bronze Slide	2			●	●					
42	130.234	0750 117 083	009 981 3301	Bearing D.50,8x95,2x27,7	1			●	●					
43	146.591	1250 303 116		Constant Gear 34 T	1		A	●						
43	146.098	1250 303 111	000 263 1610	Constant Gear 37 T	1		BGHL	●	●					
43	146.594	1250 303 138		Constant Gear 47 T	1		CP	●	●					
43	146.103	1250 303 112	000 263 1710	Constant Gear 41 T	1		DQR	●	●					

Notes

(*) Old Version with 3 spring holes. To be used with spring 156.025 (fig. 7)

Date

05 / 2006

Table

0030 /

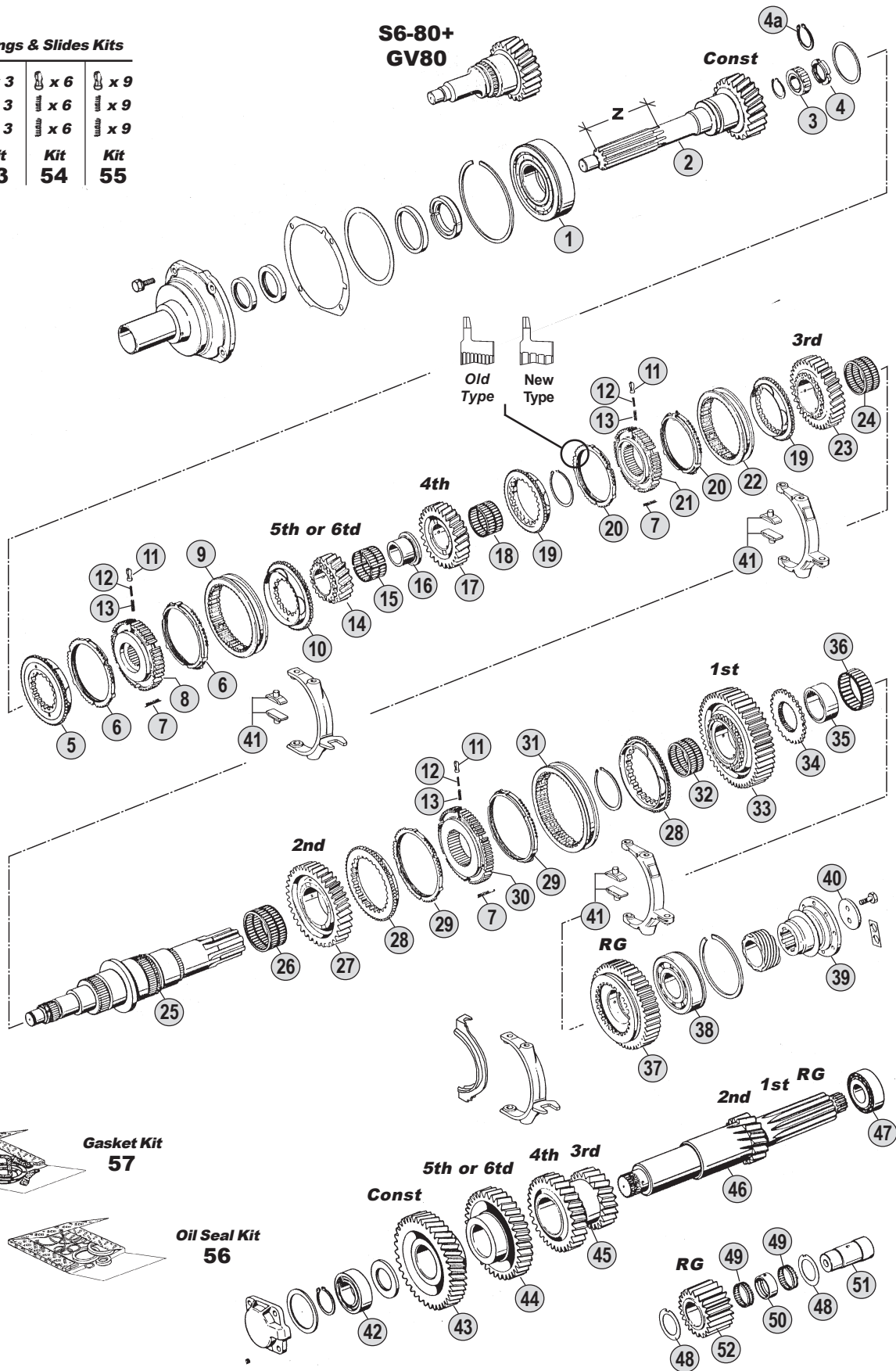
All original equipment manufacturers numbers, symbols, pictures, models and description used in this catalogue are for reference only, and it is not implied that any part listed is the product of these manufactures. Tutti i nostri particolari non sono originali ma con essi intercambiabili. I riferimenti originali, le figure, i modelli sono esposti a semplice titolo indicativo. La nostra produzione riporta il nostro marchio.

Suitable To : **ZF**

S6-80 and **S6-80+GV**

Springs & Slides Kits

x 3	x 6	x 9
x 3	x 6	x 9
x 3	x 6	x 9
Kit 53	Kit 54	Kit 55



Kits



Gasket Kit 57



Oil Seal Kit 56

Ratios

S680+GV	A : 6,70 - 0,690	B : 7,67 - 0,780	C : 8,90 - 0,840	D : 9,00 - 0,835
S6-80	E : 6,10 - 0,660	F : 6,99 - 0,820	G : 6,70 - 0,730	H : 6,70 - 0,780
	M : 7,41 - 1,000	N : 7,53 - 0,820	P : 8,90 - 1,000	Q : 9,00 - 1,000



All original equipment manufacturers' numbers, symbols, pictures, models and description used in this catalogue are for reference only, and it is not implied that any part listed is the product of these manufactures. Tutti i nostri particolari non sono originali ma con essi intercambiabili. I riferimenti originali, le figure, i modelli sono esposti a semplice titolo indicativo. La nostra produzione riporta il nostro marchio.

Fig.	CEI no.	O.E.M. Reference		Description	Q.ty	Note	Ratio	S6-80+GV80 S6-80						
		ZF no.	MB no.											
43	146.237	1250 303 115		Constant Gear 35 T	1		E	●						
43	146.595	1250 303 154		Constant Gear 45 T	1		F	●						
43	146.351	1250 303 114	000 263 1310	Constant Gear 48 T	1		M	●						
43	146.592	1250 303 113		Constant Gear 38 T	1		N	●						
44	146.102	1250 303 048	343 263 0215	Gear 6th Speed 43 T	1		AL	●	●					
44	146.593	1250 303 060		Gear 6th Speed 39 T	1		BH	●	●					
44	146.596	1250 303 137		Gear 5th Speed 41 T	1		CP	●	●					
44	146.104	1250 303 074	366 263 0015	Gear 5th Speed 36 T	1		DQ	●	●					
44	146.099	1250 303 058	336 263 0115	Gear 6th Speed 42 T	1		EGN	●						
44	146.597	1250 303 088		Gear 6th Speed 51 T	1		F	●						
44	146.352	1250 303 094	000 263 0515	Gear 5th Speed 43 T	1		M	●						
44	146.098	1250 303 111	000 263 1610	Constant Gear 37 T	1		R	●						
45	143.126	1250 303 049		Double Gear 3rd/4th-21-26 T	1		A	●						
45	143.035	1250 303 056	343 263 0114	Double Gear 3rd/4th-22/29 T	1		BEGHL	●	●					
45	143.127	1250 303 136		Double Gear 3rd/4th-23/32 T	1		CP	●	●					
45	143.037	1250 303 062	366 263 0114	Double Gear 3rd/4th-22/27 T	1		DQ	●	●					
45	143.128	1250 303 159		Double Gear 3rd/4th-24/37 T	1		F	●						
45	143.035	1250 303 056	343 263 0114	Double Gear 3rd/4th-22/29 T	1		NR	●						
45	143.087	1250 303 084	000 263 0414	Double Gear 3rd/4th-22/28 T	1		M	●						
46	105.038	1250 203 002	000 260 0224	Countershaft 12-15 T	1			●	●					
47	130.233	1246 203 008	001 980 9602	Roller bearing D.44,45x95,25x28,	1			●	●					
48	169.234	0730 150 064	343 263 0062	Thrust Washer	2			●	●					
49	137.007	0750 115 011	010 981 1010	Needle Cage D.45x53x21	2			●	●					
50	169.443	1250 305 006	000 263 0650	Spacer	1			●	●					
51	107.072	1250 305 003	343 263 0030	Reverse Pin	1			●	●					
52	147.065	1250 305 033	000 263 0931	Reverse Gear 21 T	1			●	●					
53	198.339	1268 298 938		Spring Slide Set	1			●	●					
54	198.564	CEI 198564		Spring Slide Set	1			●	●					
55	198.842	1295 298 933		Spring Slide Set	1			●	●					
56	198.417	1250 298 907		Oil Seal Kit	1			●	●					
57	198.418	1250 298 910		Gasket Kit	1			●	●					

Notes

(*) Old Version with 3 spring holes. To be used with spring 156.025 (fig. 7)

Date

05 / 2006

Table

0030 /

All original equipment manufacturers numbers, symbols, pictures, models and description used in this catalogue are for reference only, and it is not implied that any part listed is the product of these manufactures. Tutti i nostri particolari non sono originali ma con essi intercambiabili. I riferimenti originali, le figure, i modelli sono esposti a semplice titolo indicativo. La nostra produzione riporta il nostro marchio.

suitable to :

Z.F.

Old Range

GV90

(1268 xxx xxx)

Ratios

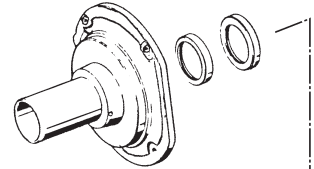
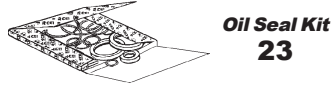
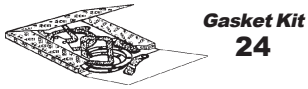
Ratio	Note
6,98-0,820	A
7,03-0,580	B
7,03-0,700	C
9,01-0,820	D

OLD RANGE
GV90

Suitable To : **ZF**

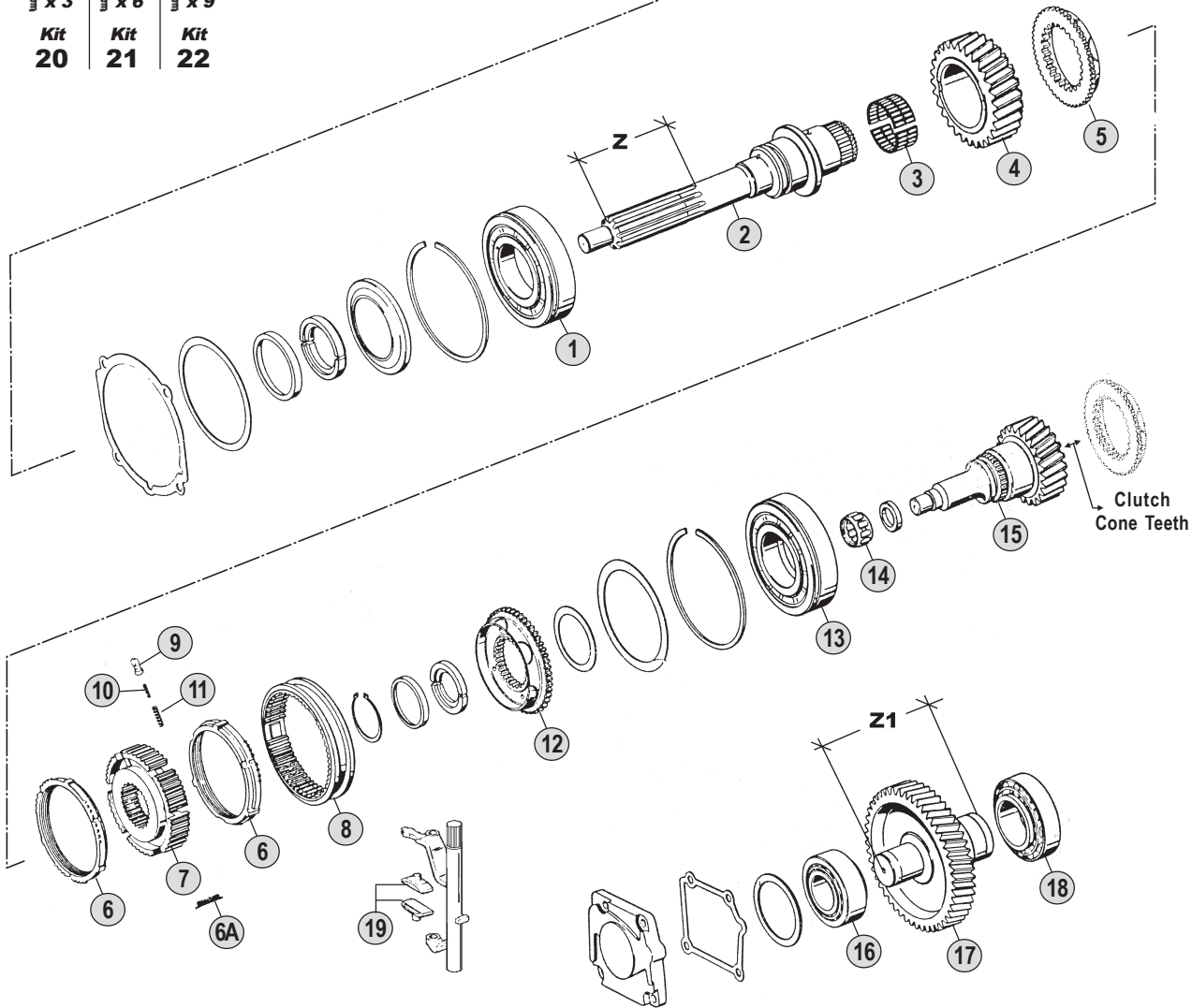
GV90

Kits



Springs & Slides Kits

x 3	x 6	x 9
x 3	x 6	x 9
x 3	x 6	x 9
Kit 20	Kit 21	Kit 22



Ratios

GV90 A : 6,98 - 0,820 B : 7,03 - 0,580 C : 7,03 - 0,700 D : 9,01 - 0,820

All original equipment manufacturers' numbers, symbols, pictures, models and description used in this catalogue are for reference only, and it is not implied that any part listed is the product of these manufacturers. Tutti i nostri particolari non sono originali ma con essi intercambiabili. I riferimenti originali, le figure, i modelli sono esposti a semplice titolo indicativo. La nostra produzione riporta il nostro marchio.

Fig.	CEI no.	O.E.M. Reference		Description	Q.ty	Note	Ratio	GV90				
		ZF no.	MB no.									
1	130.699	0750 118 081	005 981 8701	Bearing D.70x150x35	1			●				
2	102.145	1250 312 291		Input shaft	1	Z=83 mm		●				
2	102.165	1250 312 171	336 264 0106	Input shaft	1	Z=88 mm		●				
2		1250 312 172		Input shaft	1	Z=105 mm		●				
2	103.049	1250 312 247	000 264 1706	Input shaft	1	Z=116 mm		●				
2	102.228	1268 312 128		Input shaft	1	Z=116 mm		●				
2	102.198	1268 312 113	000 264 3706	Input shaft	1	Z=130 mm		●				
3	137.108	0750 115 089	011 981 1210	Needle Bearing D.68x74x45	1			●				
4	146.392	1268 312 010	000 262 0210	Gear 37 T	1		ABC	●				
4	146.162	1268 312 003	000 262 0110	Gear 31 t.	1		D	●				
5	109.037	1250 312 366	000 264 0846	Synchronizer Cone	1			●				
6	119.080	1250 304 417	000 262 1934	Synchronizer Ring	2			●				
6	119.069	1240 304 384	000 262 0434	Synchronizer Ring	2	Old(*)		●				
6A	156.025	0732 020 030	336 264 0893	Spring L=31,50	3	Old		●				
7	155.090	1250 312 323	000 262 3635	Synchronizer Hub	1			●				
8	154.064	1240 304 272	000 262 0623	Sliding Sleeve	1			●				
9	160.116	1240 304 278	336 264 0239	Pressure Piece	3			●				
10	156.036	0732 040 386	336 264 0793	Inner Spring De.3x34	3			●				
11	156.037	0732 040 385	336 264 0693	Outer Spring De.6x34	1			●				
12	109.038	1250 312 364	000 264 0746	Synchronizer Cone	1			●				
13	130.258	0750 118 082	005 981 8501	Bearing D.70x150x35	1			●				
14	137.268	0735 358 032	002 981 3410	Needle Bearing D.22x38x19	1			●				
15	105.098	1268 312 139		Intermediate shaft 28 T	1	18 Teeth clutch	A	●				
15	105.097	1268 312 142		Intermediate shaft 28 T	1	46 Teeth clutch	A	●				
15	102.102	1268 312 009	000 264 0805	Intermediate shaft 29 T	1	19 Teeth clutch	BC	●				
15	102.083	1268 312 124	000 264 0705	Intermediate shaft 25 T	1	19 teeth clutch	D	●				
16	130.242	0750 117 010	001 980 8102	Bearing D.50,80x100x35	1			●				
17	146.166	1268 312 051	000 262 1310	Gear 50 T	1		ABC	●				
17	146.304	1268 312 052	000 262 1410	Gear 54 t.	1	Z1=143 mm	D	●				
17	146.163	1268 312 055	000 262 1810	Gear 54 t.	1	Z1=151 mm	D	●				
18		0750 117 203		Bearing D.66,6x112,7x30,1	1			●				
19	141.146	1268 312 057	000 264 0749	Slide	2			●				
20	198.339	1268 298 938		Spring Slide Set	1			●				
21	198.564	CEI 198564		Spring Slide Set	1			●				
22	198.842	1295 298 933		Spring Slide Set	1			●				
23	198.419	1268 298 903		Oil Seal Kit	1			●				
24	198.420	1268 298 904		Gasket Kit	1			●				

GV90
1268 xxx xxx

All original equipment manufacturers numbers, symbols, pictures, models and description used in this catalogue are for reference only, and it is not implied that any part listed is the product of these manufactures.
Tutti i nostri particolari non sono originali ma con essi intercambiabili. I riferimenti originali, le figure, i modelli sono esposti a semplice titolo indicativo. La nostra produzione riporta il nostro marchio.

Notes

(*) Old Version with 3 spring holes. To be used with spring 156.025 (fig. 6A)

Date

05 / 2006

Table

0040 /

suitable to :

Z.F.**Old Range****AK6-90+GV90****(1268 xxx xxx)****Ratios**

Ratio	Note
7,03-0,580	B
9,01-0,820	D

AK6-90**(1268 xxx xxx)****Ratios**

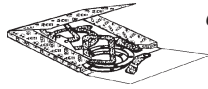
Ratio	Note
5,67-0,700	E
7,03-0,700	F
7,03-0,810	G
9,01-1,000	H

OLD RANGE
AK6-90 & GV90

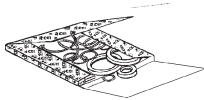
Suitable To: **ZF**

AK6-90 and **AK6-90+GV**

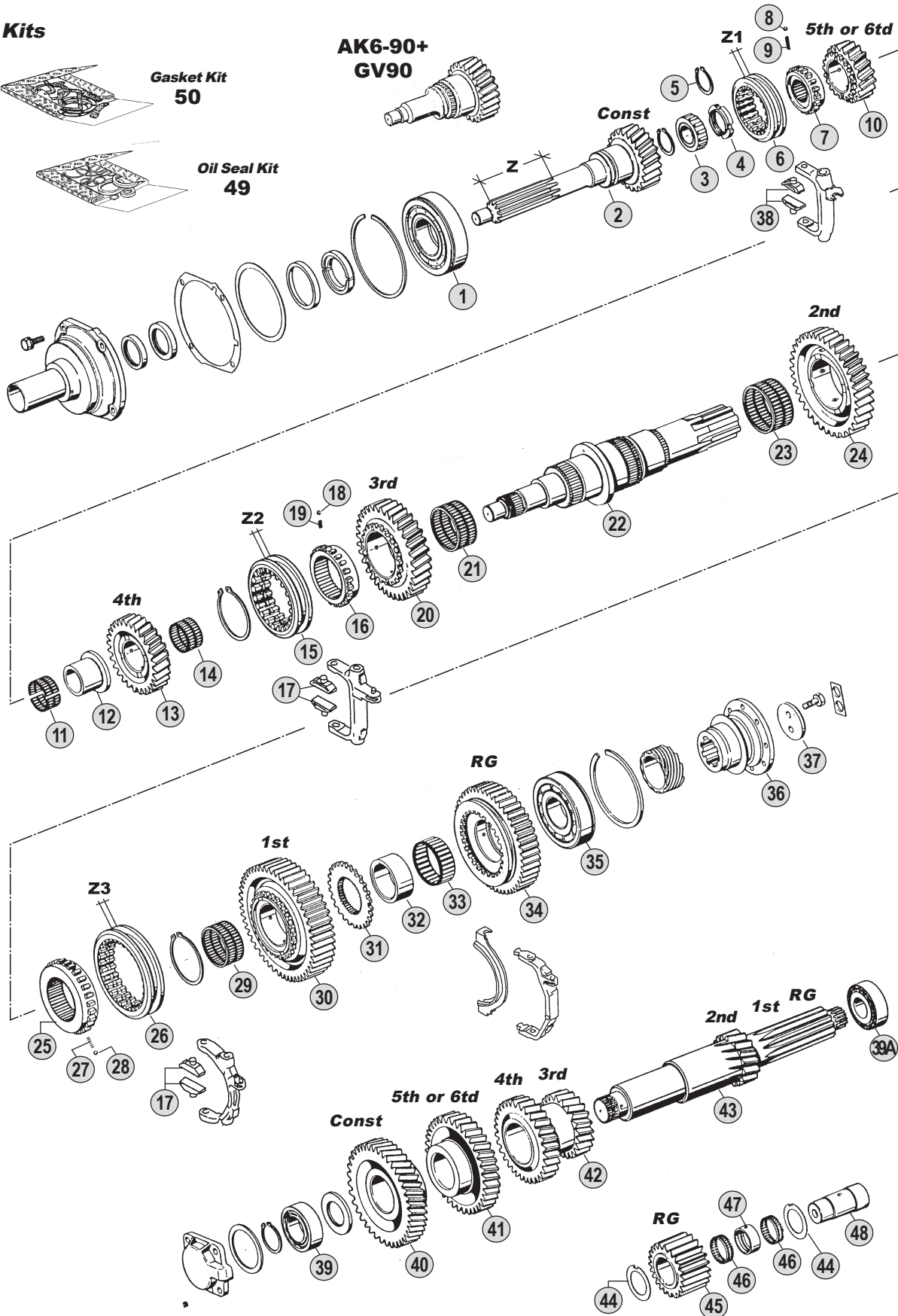
Kits



Gasket Kit 50



Oil Seal Kit 49



Ratios

AK+GV	A:	B: 7,03 - 0,580	C:	D: 9,01 - 0,820
AK6-90	E: 5,67 - 0,700	F: 7,03 - 0,700	G: 7,03 - 0,810	H: 9,01 - 1,000

All original equipment manufacturers' numbers, symbols, pictures, models and description used in this catalogue are for reference only, and it is not implied that any part listed is the product of these manufactures. Tutti i nostri particolari non sono originali ma con essi intercambiabili. I riferimenti originali, le figure, i modelli sono esposti a semplice titolo indicativo. La nostra produzione riporta il nostro marchio.



AK6-90+GV90
AK6-90

Fig.	CEI no.	O.E.M. Reference		Description	Q.ty	Note	Ratio						
		ZF no.	MB no.					AK6-90+GV90	AK6-90				
1	130.258	0750 118 082	005 981 8501	Bearing D.70x150x35	1			●					
2	102.369	1268 302 044		Input Shaft 33 T	1		E	●					
2	102.155	1268 302 132	000 262 4702	Input Shaft 29 T	1	Z=113 mm	F(#)	●					
2	102.370	1268 302 124		Input Shaft 29 T	1	Z=113 mm	F(@)	●					
2	102.078	1268 302 042	000 262 1202	Input Shaft 29 T	1	Z=90 mm	G	●					
2	102.371	1268 302 048		Input Shaft 29 T	1	Z=105 mm	G	●					
2	102.199	1268 302 047	000 262 2602	Input Shaft 25 T	1	Z=115 mm	H(#)	●					
2	102.079	1268 302 001	000 262 1302	Input Shaft 25 T	1	Z=90 mm	H(#)	●					
2	102.185	1268 302 104	000 262 9902	Input Shaft 25 T	1	Z=112 mm	H(#)	●					
2	102.372	1268 302 049		Input Shaft 25 T	1	Z=107 mm	H(#)	●					
2	102.220	1268 302 126	001 262 1202	Input Shaft 25 T	1	Z=114 mm	H(@)	●					
2	102.373	1268 302 098		Input Shaft 25 T	1		H(@)	●					
3	130.691	0750 118 090	006 981 4701	Bearing D.30x60x28	1			●	●				
4	187.245	0737 502 168	343 990 0360	Nut M40x1,5	1	Old Type		●	●				
5	111.018	0630 531 057	001 994 8841	Snap Ring M45x2,5	1	New Type		●	●				
6	154.099	1250 304 141	343 262 0323	Sliding Sleeve	1	Z1=12,00(*)		●	●				
6	154.053	1250 304 362	000 262 2323	Sliding Sleeve	1	Z1=19,50 mm		●	●				
6	154.053	1250 304 362	000 262 2323	Sliding Sleeve	1	Z1=19,50 mm	FH(#)	●	●				
6	154.100	1250 304 440	000 262 3723	Sliding Sleeve	1	Z1=19,50 mm	FH(@)	●	●				
7	155.076	1250 304 185	343 262 0427	Synchronizer Hub	1			●	●				
7	155.076	1250 304 185	343 262 0427	Synchronizer Hub	1		FH(#)	●	●				
7	155.143	1272 304 124	000 262 1927	Synchronizer Hub	1		FH(@)	●	●				
8	171.014	0635 460 010	002 981 5685	Ball D.6	3			●	●				
9	156.150	1203 321 009	002 993 1801	Spring De.5,50x12	3			●	●				
10	145.274	1268 304 094		Gear 6th Speed 26 T	1		B	●					
10	145.213	1268 304 005	000 262 0915	Gear 5th Speed 24 T	1		D	●					
10	145.854	1268 304 012		Gear 6th Speed 28 T	1		E	●					
10	145.274	1268 304 094		Gear 6th Speed 26 T	1		F(#)	●					
10	145.855	1268 304 269		Gear 6th Speed 26 T	1		F(@)	●					
10	145.209	1268 304 015	000 262 0815	Gear 6th Speed 29 T	1		G	●					
10	145.213	1268 304 005	000 262 0915	Gear 5th Speed 24 T	1		H(#)	●					
10	145.856	1268 304 262	000 262 3515	Gear 5th Speed 24 T	1		H(@)	●					
11	137.091	0735 320 314	005 981 0510	Needle Cage D.57x63x42,5	1			●	●				
12	117.100	1250 304 142	343 262 0250	Bush	1			●	●				
13	145.208	1268 304 010	000 262 0614	Gear 4th Speed 30 T	1		BG	●	●				
13	145.214	1268 304 004	000 262 0714	Gear 4th Speed 29 T	1		D	●					
13	145.857	1268 304 013		Gear 4th Speed 33 T	1		E	●					
13	145.208	1268 304 010	000 262 0614	Gear 4th Speed 30 T	1		F(#)	●					
13	145.858	1268 304 268		Gear 4th Speed 30 T	1		F(@)	●					
13	145.214	1268 304 004	000 262 0714	Gear 4th Speed 29 T	1		H(#)	●					
13	145.859	1268 304 237	000 262 3514	Gear 4th Speed 29 T	1		H(@)	●					
14	137.092	0750 115 284	013 981 9110	Needle Cage D.58x65x35,50	1			●	●				
15	154.056	1250 304 233	000 262 1023	Sliding Sleeve	1	Z2=19,50 mm		●	●				
15	154.056	1250 304 233	000 262 1023	Sliding Sleeve	1	Z2=19,50 mm	FH(#)	●	●				
15	154.101	1250 304 441	000 262 3823	Sliding Sleeve	1	Z2=19,50 mm	FH(@)	●	●				

Notes

- (# - @) Different coupling cone versions.To be coupled together. **DO NO MIX**
The new version (@) **dont use** balls and springs
(*) Old version with smaller sliding block. Use Sleeve 154.099 with sliding 141.062

Date

05 / 2006

Table

0050 /

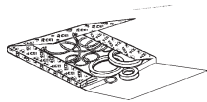
Suitable To: **ZF**

AK6-90 and **AK6-90+GV**

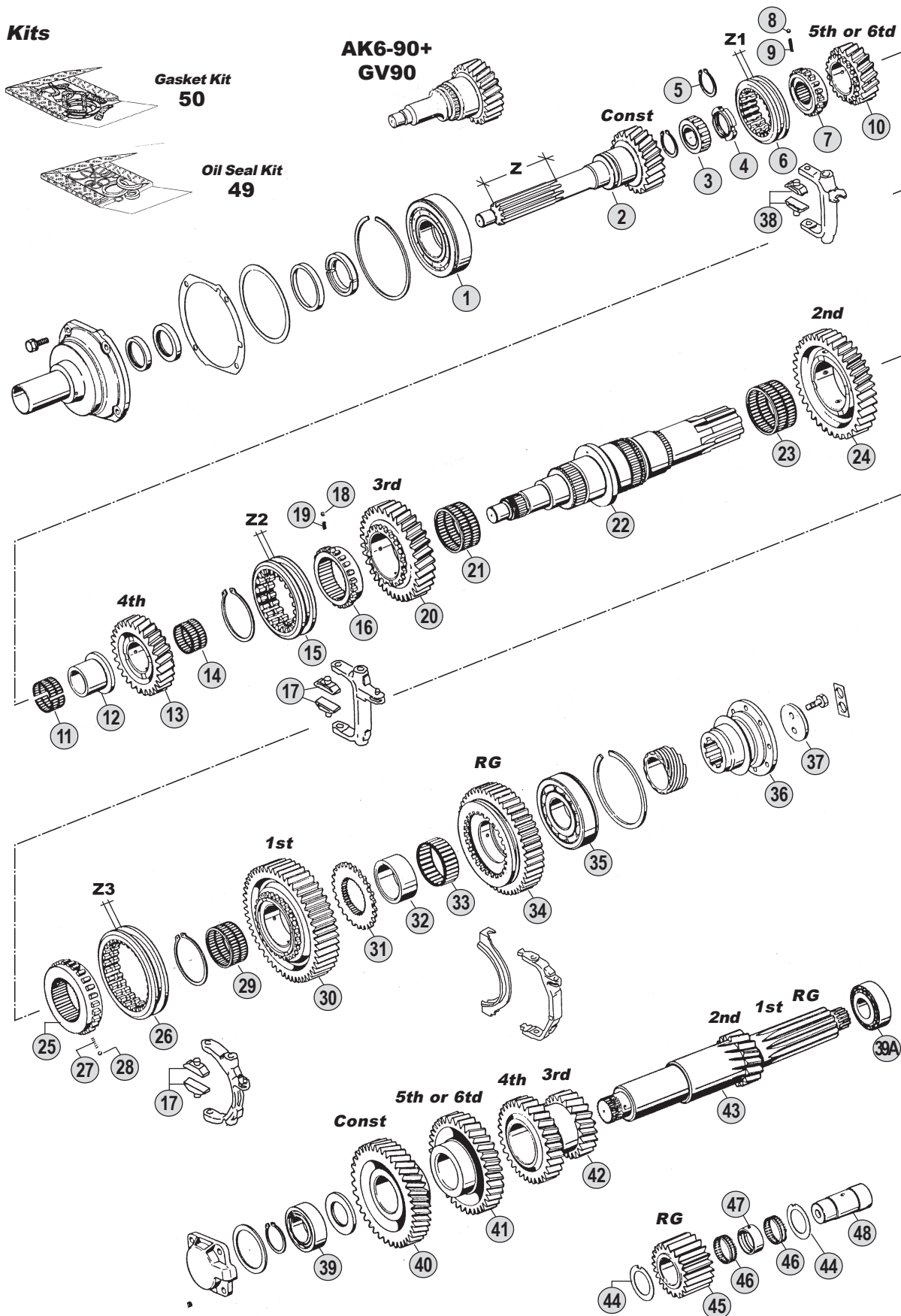
Kits



Gasket Kit 50



Oil Seal Kit 49



Ratios

AK+GV	A:	B: 7,03 - 0,580	C:	D: 9,01 - 0,820
AK6-90	E: 5,67 - 0,700	F: 7,03 - 0,700	G: 7,03 - 0,810	H: 9,01 - 1,000



All original equipment manufacturers' numbers, symbols, pictures, models and description used in this catalogue are for reference only, and it is not implied that any part listed is the product of these manufactures. Tutti i nostri particolari non sono originali ma con essi intercambiabili. I riferimenti originali, le figure, i modelli sono esposti a semplice titolo indicativo. La nostra produzione riporta il nostro marchio.

AK6-90+GV90
AK6-90

Fig.	CEI no.	O.E.M. Reference		Description	Q.ty	Note	Ratio						
		ZF no.	MB no.					AK6-90+GV90	AK6-90				
16	155.077	1250 304 234	343 262 0527	Synchronizer Hub	1			●	●				
16	155.077	1250 304 234	343 262 0527	Synchronizer Hub	1		FH(#)		●				
16	155.226	1250 304 454	000 262 2427	Synchronizer Hub	1		FH(@)		●				
17	141.068	1295 306 132	000 268 0849	Bronze Slide	2			●	●				
18	171.014	0635 460 010	002 981 5685	Ball D.6	3			●	●				
19	156.124	0732 040 497	343 264 0993	Spring De.6x7	3			●	●				
20	145.210	1268 304 009	000 262 0513	Gear 3rd Speed 34 T	1		BG		●	●			
20	145.215	1268 304 003	000 262 0613	Gear 3rd Speed 35 T	1		D		●				
20	145.860	1268 304 014		Gear 3rd Speed 38 T	1		E		●				
20	145.210	1268 304 009	000 262 0513	Gear 3rd Speed 34 T	1		F(#)		●				
20	145.861	1268 304 267		Gear 3rd Speed 34 T	1		F(@)		●				
20	145.215	1268 304 003	000 262 0613	Gear 3rd Speed 35 T	1		H(#)		●				
20	145.862	1268 304 235	000 262 5113	Gear 3rd Speed 35 T	1		H(@)		●				
21	137.093	0750 115 134	012 981 5910	Needle Cage D.80x88x39,50	1			●	●				
22	103.076	1250 304 129	343 262 0105	Main Shaft (8 Splines)	1	Olt type w/nut		●	●				
22	103.041	1250 304 474	000 262 2405	Main Shaft (8 Splines)	1	New type w/seeger		●	●				
22	103.040	1250 304 388	000 262 1405	Main Shaft (34 Splines)	1	Old type w/nut		●	●				
22	103.048	1250 304 473	000 262 2305	Main Shaft (34 Splines)	1	New type w/seeger		●	●				
23	137.094	0750 115 282	013 981 9210	Needle Cage D.95x103x39,5	1			●	●				
24	145.211	1268 304 204	000 262 2112	Gear 2nd Speed 42 T	1			●	●				
24	145.211	1268 304 204	000 262 2112	Gear 2nd Speed 42 T	1		FH(#)		●				
24	145.863	1268 304 244	000 262 4312	Gear 2nd Speed 42 T	1		FH(@)		●				
25	155.081	1268 304 006	000 262 0827	Synchronizer Hub	1			●	●				
25	155.081	1268 304 006	000 262 0827	Synchronizer Hub	1		FH(#)		●				
25	155.227	1268 304 246	000 262 2327	Synchronizer Hub	1		FH(@)		●				
26	154.054	1250 304 236	000 262 1123	Sliding Sleeve	1			●	●				
26	154.054	1250 304 236	000 262 1123	Sliding Sleeve	1		FH(#)		●				
26	154.367	1246 304 237	000 262 5223	Sliding Sleeve	1		FH(@)		●				
27	156.150	1203 321 009	002 993 1801	Spring De.5,50x12	3			●	●				
28	171.014	0635 460 010	002 981 5685	Ball D.6	3			●	●				
29	137.095	0750 115 283	002 981 1710	Needle Cage D.80x88x46	1			●	●				
30	145.212	1268 304 213	000 262 4611	Gear 1st Speed 51 T	1			●	●				
30	145.212	1268 304 213	000 262 4611	Gear 1st Speed 51 T	1		FH(#)		●				
30	145.864	1268 304 245	000 262 7411	Gear 1st Speed 51 T	1		FH(@)		●				
31	109.030	1250 304 006	343 262 0036	Follower Ring	1			●	●				
32	117.101	0730 160 344	343 262 0350	Bush D.70x84x48,70	1			●	●				
33	137.096	0735 320 154	001 981 7410	Needle Cage D.84x96x36	1			●	●				
34	147.072	1268 304 008	000 262 1111	Reverse Gear 47 T	1			●	●				
35	130.264	0635 333 049	000 981 9025	Bearing D.70x150x35	1			●	●				
36	155.075	1250 304 107	343 262 0145	Output Flange D.150	1	8 spl.		●	●				
36	155.079	1250 204 008	366 260 0017	Output Flange D.165	1	8 spl.		●	●				
36	155.102	1268 304 136	000 262 0745	Output Flange D.150	1	34 spl.		●	●				
36	197.067	1268 304 148	000 264 1445	Output Flange D.165	1	34 spl.		●	●				
36	155.132	1269 338 028	000 264 0845	Output Flange D.165 (8 holes)	1	34 spl.		●	●				
36	155.113	1269 338 020	000 264 0945	Output Flange D.180 (10 holes)	1	34 spl.		●	●				

AK6-90
1268 xxx xxx

All original equipment manufacturers numbers, symbols, pictures and description used in this catalogue are for reference only, and it is not implied that any part listed is the product of these manufactures.
Tutti i nostri particolari non sono originali ma con essi intercambiabili. I riferimenti originali, le figure, i modelli sono esposti a semplice titolo indicativo. La nostra produzione riporta il nostro marchio.

Notes

- (# - @) Different coupling cone versions.To be coupled together. **DO NO MIX**
The new version (@) **dont use** balls and springs
- (*) Old version with smaller sliding block. Use Sleeve 154.099 with sliding 141.062

Date

05 / 2006

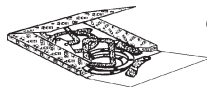
Table

0050 /

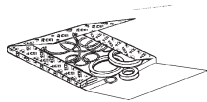
Suitable To: **ZF**

AK6-90 and **AK6-90+GV**

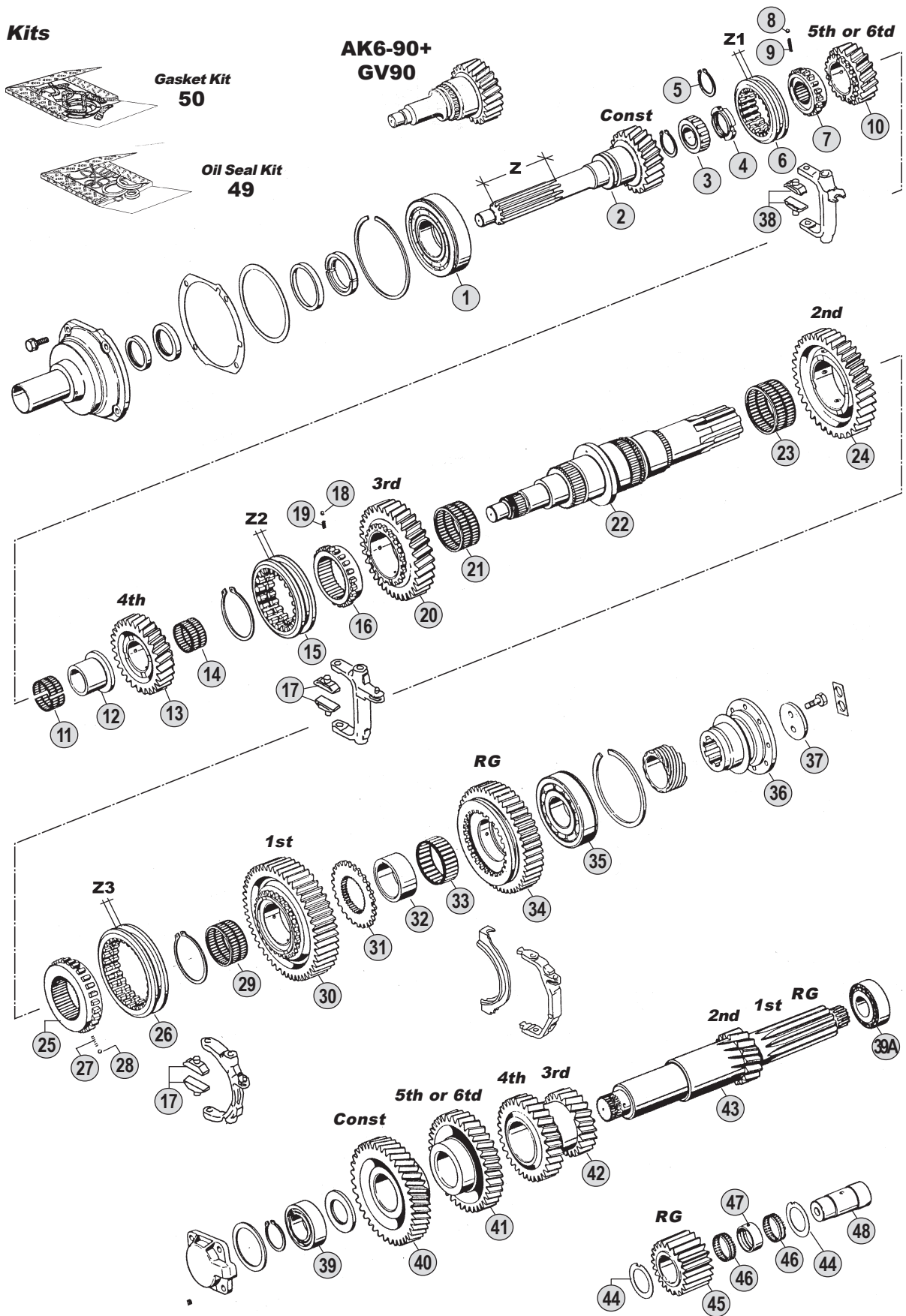
Kits



Gasket Kit 50



Oil Seal Kit 49



Ratios

AK+GV	A:	B: 7,03 - 0,580	C:	D: 9,01 - 0,820
AK6-90	E: 5,67 - 0,700	F: 7,03 - 0,700	G: 7,03 - 0,810	H: 9,01 - 1,000



All original equipment manufacturers' numbers, symbols, pictures, models and description used in this catalogue are for reference only, and it is not implied that any part listed is the product of these manufactures. Tutti i nostri particolari non sono originali ma con essi intercambiabili. I riferimenti originali, le figure, i modelli sono esposti a semplice titolo indicativo. La nostra produzione riporta il nostro marchio.

Fig.	CEI no.	O.E.M. Reference		Description	Q.ty	Note	Ratio							
		ZF no.	MB no.					AK6-90+GV90	AK6-90					
37	188.070	1240 304 117	343 262 0062	Stop Washer	1			●	●					
38	141.068	1295 306 132	000 268 0849	Bronze Slide	2			●	●					
38	141.062	1240 306 234	000 265 0549	Bronze Slide	2	Old(*)		●	●					
39	130.242	0750 117 010	001 980 8102	Bearing D.50,80x100x35	1			●	●					
39A	130.263	0635 374 019	004 981 1305	Bearing D.45x100x38	1			●	●					
40	146.108	1268 303 057	000 263 1410	Constant Gear 48 T	1		BFG	●	●					
40	146.107	1268 303 056	000 263 1510	Constant Gear 53 T	1		DH	●	●					
40	146.598	1268 303 059		Constant Gear 44 T	1		E		●					
41	146.208	1268 303 007		Gear 6th Speed 61 T	1		BF	●	●					
41	146.106	1268 303 004	000 263 0815	Gear 5th Speed 34 T	1		DH	●	●					
41	146.599	1268 303 010		Gear 6th Speed 53 T	1		E		●					
41	146.105	1268 303 012	000 263 0715	Gear 6th Speed 59 T	1		G		●					
42	143.038	1268 303 006	000 263 0613	Double Gear 3rd/4th-23/33 T	1		BFG	●	●					
42	143.039	1268 303 005	000 263 0713	Double gear 3rd/4th-23/28 T	1		DH	●	●					
42	143.129	1268 303 011		Double Gear 3rd/4th-23/30 T	1		E		●					
43	105.042	1268 203 001	000 260 0124	Countershaft 12-17 T	1			●	●					
44	169.234	0730 150 064	343 263 0062	Thrust Washer	2			●	●					
45	147.071	1268 305 009	343 263 0062	Reverse Gear 20 T	1			●	●					
46	137.007	0750 115 011	010 981 1010	Needle Cage D.45x53x21	2			●	●					
47	169.443	1250 305 006	000 263 0650	Spacer	1			●	●					
48	107.072	1250 305 003	343 263 0030	Reverse Pin	1			●	●					
49	198.419	1268 298 903		Oil Seal Kit	1			●	●					
50	198.420	1268 298 904		Gasket Kit	1			●	●					

AK6-90
1268 xxx xxx

All original equipment manufacturers numbers, symbols, pictures, models and description used in this catalogue are for reference only, and it is not implied that any part listed is the product of these manufactures.
Tutti i nostri particolari non sono originali ma con essi intercambiabili. I riferimenti originali, le figure, i modelli sono esposti a semplice titolo indicativo. La nostra produzione riporta il nostro marchio.

Notes

- (# - @) Different coupling cone versions.To be coupled together. **DO NO MIX**
The new version (@) **dont use** balls and springs
(*) Old version with smaller sliding block. Use Sleeve 154.099 with sliding 141.062

Date

05 / 2006

Table

0050 /

suitable to :

Z.F.**Old Range****S6-90+GV90****(1268 xxx xxx)****Ratios**

Ratio	Note
6,98-0,820	A
7,03-0,580	B
7,03-0,700	C
9,01-0,820	D

S6-90**(1268 xxx xxx)****Ratios**

Ratio	Note
5,66-0,700	E
6,37-0,820	F
6,37-1,000	G
6,37-1,000	H
6,98-1,000	L
6,98-1,000	M
7,03-0,810	N
7,03-1,000	P
9,01-1,000	Q
9,08-1,000	R

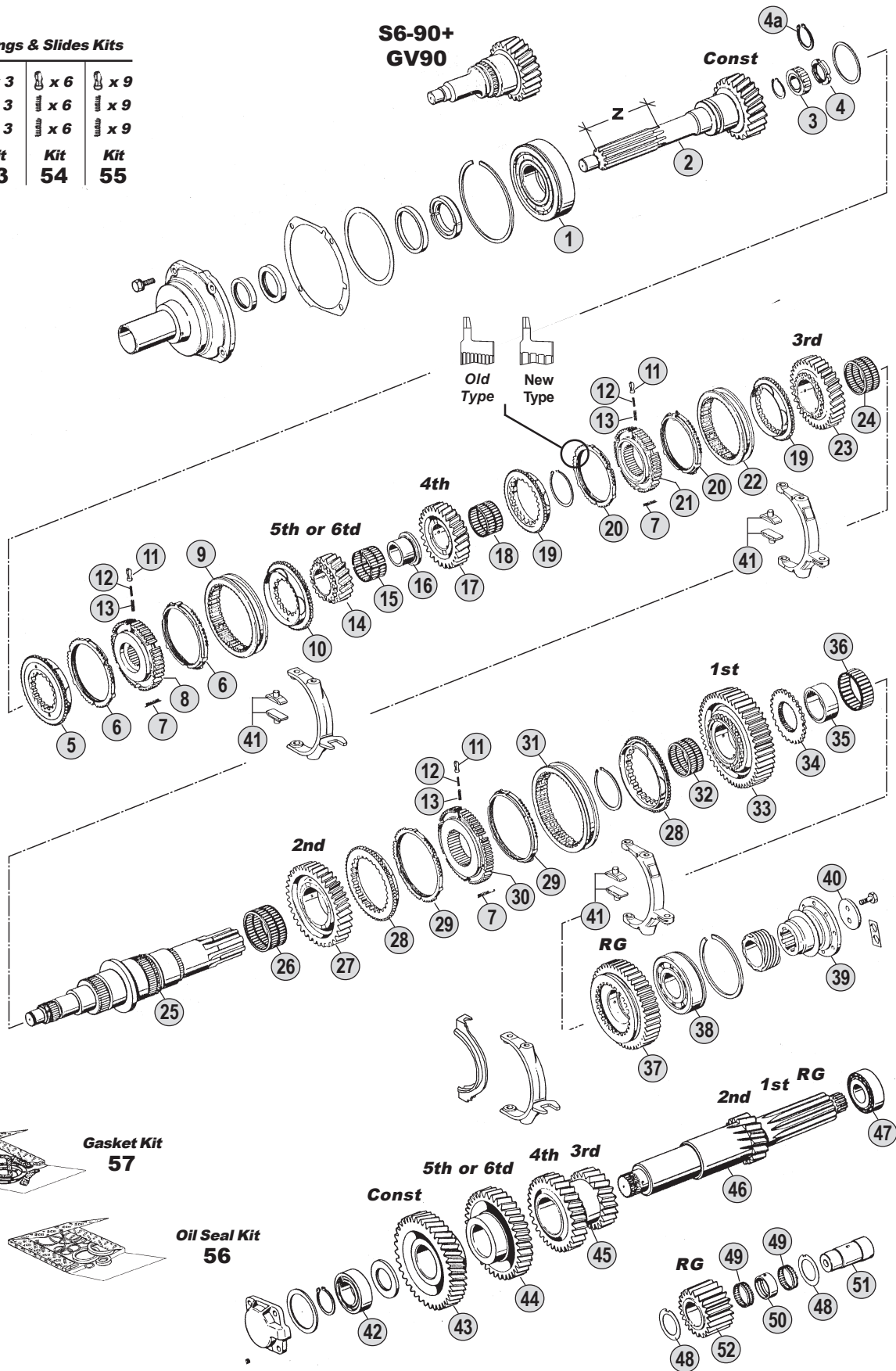
OLD RANGE
S6-90 & GV90

Suitable To : **ZF**

S6-90 and **S6-90+GV**

Springs & Slides Kits

x 3	x 6	x 9
x 3	x 6	x 9
x 3	x 6	x 9
Kit 53	Kit 54	Kit 55



Kits



Ratios

S690+GV	A : 6,98 - 0,820	B : 7,03 - 0,580	C : 7,03 - 0,700	D : 9,01 - 0,820
S6-90	E : 5,66 - 0,700	F : 6,37 - 0,820	G : 6,37 - 1,000	H : 6,37 - 1,000
	L : 6,98 - 1,000	M : 6,98 - 1,000	N : 7,03 - 0,810	P : 7,03 - 1,000
	Q : 9,01 - 1,000	R : 9,08 - 1,000		



All original equipment manufacturers' numbers, symbols, pictures, models and description used in this catalogue are for reference only, and it is not implied that any part listed is the product of these manufactures. Tutti i nostri particolari non sono originali ma con essi intercambiabili. I riferimenti originali, le figure, i modelli sono esposti a semplice titolo indicativo. La nostra produzione riporta il nostro marchio.

Fig.	CEI no.	O.E.M. Reference		Description	Q.ty	Note	Ratio	S6-90+GV90					
		ZF no.	MB no.					S6-90					
1	130.258	0750 118 082	005 981 8501	Bearing D.70x150x35	1			●					
2	102.374	1268 302 109		Input Shaft 33 T	1	Z=115 / 19 Teeth	E	●					
2	102.375	1268 302 094		Input Shaft 28 T	1	19 Teeth	F	●					
2	102.376	1268 202 009		Input Shaft 26 T	1	18 Teeth	G	●					
2	102.377	1268 302 110		Input Shaft	1	18 Teeth	H	●					
2	102.378	1268 302 095		Input Shaft 28 T	1	Z=113 / 18 Teeth	L	●					
2	102.181	1268 302 164	001 262 4302	Input Shaft 28 T	1	L=113 / 46 Teeth	L	●					
2	102.379	1268 302 127		Input Shaft 28 T	1	Z=113 / 18 Teeth	M	●					
2	102.380	1268 302 167		Input Shaft 28 T	1	Z=113 / 46 Teeth	M	●					
2	102.078	1268 302 042	000 262 1202	Input Shaft 29 T	1	Z=90 / 19 Teeth	N	●					
2	102.371	1268 302 048		Input Shaft 29 T	1	Z=105 / 19 Teeth	N	●					
2	102.155	1268 302 132	000 262 4702	Input Shaft 29 T	1	Z=113 / 19 Teeth	P	●					
2	102.199	1268 302 047	000 262 2602	Input Shaft 25 T	1	Z=115 / 19 Teeth	Q	●					
2	102.079	1268 302 001	000 262 1302	Input Shaft 25 T	1	Z=90 / 19 Teeth	Q	●					
2	102.185	1268 302 104	000 262 9902	Input Shaft 25 T	1	Z=112 / 19 Teeth	Q	●					
2	102.372	1268 302 049		Input Shaft 25 T	1	Z=107 / 19 Teeth	Q	●					
2	102.383	1268 302 079		Input Shaft 22 T	1	19 Teeth	R	●					
3	130.692	0735 455 012	003 981 6001	Bearing D.30x68x26	1		AGHLM	●	●				
3	130.691	0750 118 090	006 981 4701	Bearing D.30x60x28	1		BCD	●					
3	130.691	0750 118 090	006 981 4701	Bearing D.30x60x28	1		EFNPQR	●					
4	187.245	0737 502 168	343 990 0360	Nut M40x1,5	1	Old Type		●	●				
4A	111.018	0630 531 057	001 994 8841	Snap Ring M45x2,5	1	New Type		●	●				
5	109.028	1272 304 136	000 262 1740	Synchronizer Cone	1	19 Teeth clutch	BCD	●					
5	109.028	1272 304 136	000 262 1740	Synchronizer Cone	1	19 Teeth clutch	EFNPQR	●					
5	109.127	1268 304 142	000 262 0740	Synchronizer Cone	1	18 Teeth clutch	ALM	●	●				
5	109.126	1268 304 537	000 262 3640	Synchronizer Cone	1	46 Teeth clutch	ALM	●	●				
5	109.127	1268 304 142	000 262 0740	Synchronizer Cone	1	18 Teeth clutch	GH	●					
6	119.042	1272 304 076	000 262 1334	Synchronizer Ring	2	Old Type		●	●				
6	119.163	1272 304 166	000 262 8834	Synchronizer Ring	2	New Type		●	●				
6	119.054	1250 304 226	336 262 0734	Synchronizer Ring	2	Oldest(*)		●	●				
7	156.025	0732 020 030	336 264 0893	Spring L=31,50	3	Oldest		●	●				
8	155.178	1268 304 143	000 262 1835	Synchronizer Hub	1		AGHLM	●	●				
8	155.060	1272 304 078	000 262 2235	Synchronizer Hub	1		BCD	●					
8	155.060	1272 304 078	000 262 2235	Synchronizer Hub	1		EFNPQR	●					
9	154.032	1272 304 077	000 262 1923	Sliding Sleeve	1			●	●				
10	109.031	1250 304 292	336 262 0240	Synchronizer Cone	1	19 Teeth clutch	BCD	●					
10	109.031	1250 304 292	336 262 0240	Synchronizer Cone	1	19 Teeth clutch	EFNPQR	●					
10	109.021	1269 304 137	000 262 1736	Synchronizer Cone	1	18 Teeth clutch	ALM	●	●				
10	109.111	1268 304 538	000 262 3740	Synchronizer Cone	1	46 Teeth clutch	ALM	●	●				
10	109.398	1268 304 198		Synchronizer Cone	1	18 Teeth clutch	G	●					
10	109.021	1269 304 137	000 262 1736	Synchronizer Cone	1	18 Teeth clutch	H	●					
11	160.116	1240 304 278	336 264 0239	Pressure Piece	3			●	●				
12	156.036	0732 040 386	336 264 0793	Inner Spring De.3x34	3			●	●				
13	156.037	0732 040 385	336 264 0693	Outer Spring De.6x34	3			●	●				
14	145.492	1268 304 247		Gear 5th Speed 32 T	1	18 Teeth clutch	AL	●	●				

Notes

(*) Old Version with 3 spring holes. To be used with spring 156.025 (fig. 7)

Date

05 / 2006

Table

0060 /

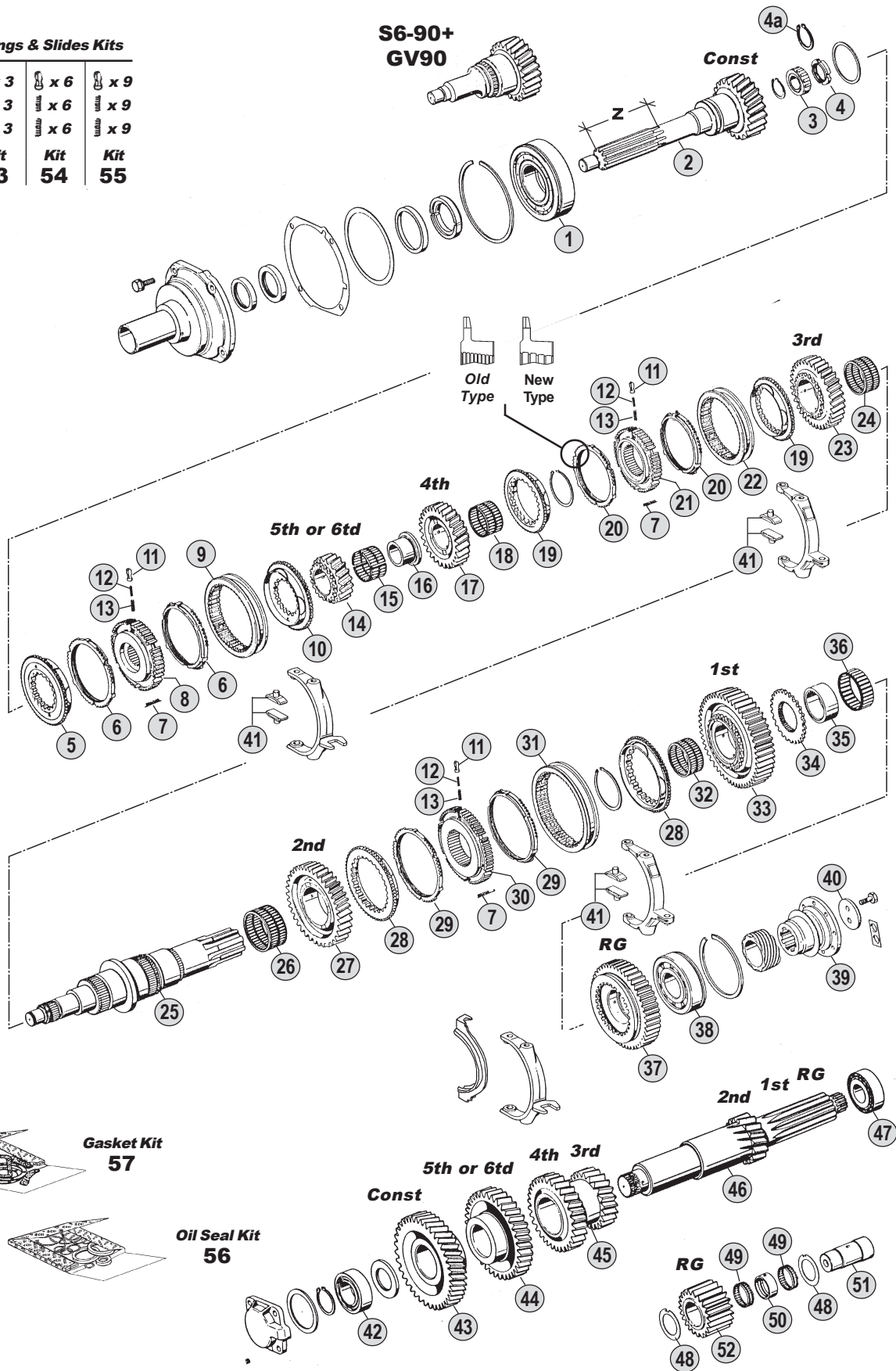
All original equipment manufacturers numbers, symbols, pictures, models and description used in this catalogue are for reference only, and it is not implied that any part listed is the product of these manufactures. Tutti i nostri particolari non sono originali ma con essi intercambiabili. I riferimenti originali, le figure, i modelli sono esposti a semplice titolo indicativo. La nostra produzione riporta il nostro marchio.

Suitable To : **ZF**

S6-90 and **S6-90+GV**

Springs & Slides Kits

x 3	x 6	x 9
x 3	x 6	x 9
x 3	x 6	x 9
Kit 53	Kit 54	Kit 55



Kits



Gasket Kit 57



Oil Seal Kit 56

Ratios

S690+GV	A : 6,98 - 0,820	B : 7,03 - 0,580	C : 7,03 - 0,700	D : 9,01 - 0,820
S6-90	E : 5,66 - 0,700	F : 6,37 - 0,820	G : 6,37 - 1,000	H : 6,37 - 1,000
	M : 6,98 - 1,000	N : 7,03 - 0,810	P : 7,03 - 1,000	Q : 9,01 - 1,000
			R : 9,08 - 1,000	



All original equipment manufacturers' numbers, symbols, pictures, models and description used in this catalogue are for reference only, and it is not implied that any part listed is the product of these manufactures. Tutti i nostri particolari non sono originali ma con essi intercambiabili. I riferimenti originali, le figure, i modelli sono esposti a semplice titolo indicativo. La nostra produzione riporta il nostro marchio.

Fig.	CEI no.	O.E.M. Reference		Description	Q.ty	Note	Ratio	S6-90+GV90						
		ZF no.	MB no.					S6-90						
14	145.438	1268 304 535		Gear 5th Speed 32 T	1	46 Teeth clutch	AL	●	●					
14	145.866	1268 304 292		Gear 6th Speed 26 T	1	19 Teeth clutch	BC	●						
14	145.867	1268 304 287		Gear 5th Speed 24 T	1	19 Teeth clutch	DQ	●	●					
14	145.868	1268 304 372		Gear 6th Speed 28 T	1	19 Teeth clutch	E		●					
14	145.869	1268 304 229		Gear 6th Speed 25 T	1	19 Teeth clutch	F		●					
14	145.870	1268 304 373		Gear 5th Speed 28 T	1	18 Teeth clutch	G		●					
14	145.492	1268 304 247		Gear 5th Speed 32 T	1	18 Teeth clutch	H		●					
14	145.493	1268 304 250		Gear 5th Speed 31 T	1	18 Teeth clutch	M		●					
14	145.360	1268 304 536	000 262 4515	Gear 5th Speed 31 T	1	46 Teeth clutch	M		●					
14	145.209	1268 304 015	000 262 0815	Gear 6th Speed 29 T	1	19 Teeth clutch	N		●					
14	145.871	1268 304 040		Gear 5th Speed 28 T	1	19 Teeth clutch	P		●					
14	145.872	1268 304 168		Gear 5th Speed 29 T	1	19 Teeth clutch	R		●					
15	137.107	0735 320 499	009 981 9010	Needle Bearing D.62x70x40	1		AGHLM	●	●					
15	137.091	0735 320 314	005 981 0510	Needle Cage D.57x63x42,5	1		BCD	●						
15	137.091	0735 320 314	005 981 0510	Needle Cage D.57x63x42,5	1		EFNPQR		●					
16	117.238	1268 304 141	000 262 1150	Bush	1		AGHLM	●	●					
16	117.100	1250 304 142	343 262 0250	Bush	1		BCD	●						
16	117.100	1250 304 142	343 262 0250	Bush	1		EFNPQR		●					
17	145.873	1268 304 248		Gear 4th Speed 32 T	1		AHL	●	●					
17	145.208	1268 304 010	000 262 0614	Gear 4th Speed 30 T	1		BCN	●	●					
17	145.214	1268 304 004	000 262 0714	Gear 4th Speed 29 T	1		DQ	●	●					
17	145.857	1268 304 013		Gear 4th Speed 33 T	1		E		●					
17	145.439	1268 304 230		Gear 4th Speed 29 T	1		F		●					
17	145.356	1268 304 251	000 262 2915	Gear 4th Speed 31 T	1		M		●					
17	145.875	1268 304 041	000 262 1314	Gear 4th Speed 30 T	1		GP		●					
17	145.876	1268 304 167		Gear 4th Speed 31 T	1		R		●					
18	137.092	0750 115 284	013 981 9110	Needle Cage D.58x65x35,50	1			●	●					
19	109.022	1250 304 351	000 262 0340	Synchronizer Cone	2			●	●					
20	119.042	1272 304 076	000 262 1334	Synchronizer Ring	2	Old Type		●	●					
20	119.163	1272 304 166	000 262 8834	Synchronizer Ring	2	New Type		●	●					
20	119.054	1250 304 226	336 262 0734	Synchronizer Ring	2	Oldest(*)		●	●					
21	155.061	1250 304 396	000 262 3035	Synchronizer Hub	1			●	●					
22	154.032	1272 304 077	000 262 1923	Sliding Sleeve	1			●	●					
23	145.877	1268 304 249		Gear 3th Speed 35 T	1		AHL	●	●					
23	145.210	1268 304 009	000 262 0513	Gear 3rd Speed 34 T	1		BCN	●	●					
23	145.215	1268 304 003	000 262 0613	Gear 3rd Speed 35 T	1		DQ	●	●					
23	145.860	1268 304 014		Gear 3rd Speed 38 T	1		E		●					
23	145.879	1268 304 231		Gear 3rd Speed 33 T	1		F		●					
23	145.880	1268 304 018	000 262 1113	Gear 3rd Speed 36 T	1		GP		●					
23	145.357	1268 304 252	000 262 2713	Gear 3rd Speed 35 T	1		M		●					
23	145.881	1268 304 166		Gear 3rd Speed 35 T	1		R		●					
24	137.093	0750 115 134	012 981 5910	Needle Cage D.80x88x39,50	1			●	●					
25	103.107	1268 304 274	000 262 3305	Main Shaft (34 Splines)	1	New w/seeger	AGHLM	●	●					
25	103.076	1250 304 129	343 262 0105	Main Shaft (8 Splines)	1	Old w/nut	BCD	●						
25	103.076	1250 304 129	343 262 0105	Main Shaft (8 Splines)	1	Old w/nut	EFNPQR		●					

Notes

(*) Old Version with 3 spring holes. To be used with spring 156.025 (fig. 7)

Date

05 / 2006

Table

0060 /

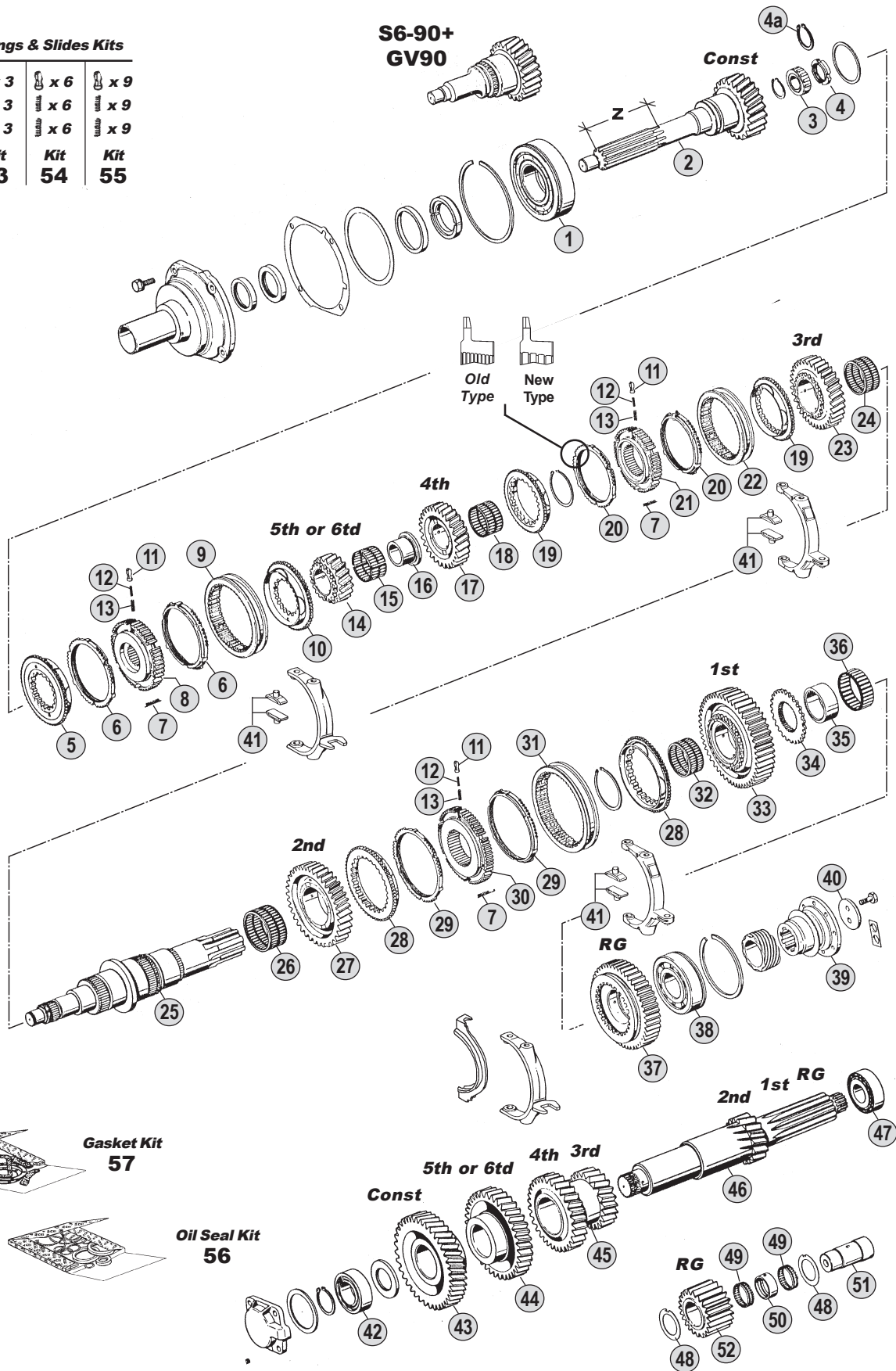
All original equipment manufacturers numbers, symbols, pictures, models and description used in this catalogue are for reference only, and it is not implied that any part listed is the product of these manufactures. Tutti i nostri particolari non sono originali ma con essi intercambiabili. I riferimenti originali, le figure, i modelli sono esposti a semplice titolo indicativo. La nostra produzione riporta il nostro marchio.

Suitable To : **ZF**

S6-90 and **S6-90+GV**

Springs & Slides Kits

x 3	x 6	x 9
x 3	x 6	x 9
x 3	x 6	x 9
Kit 53	Kit 54	Kit 55



Kits



Ratios

S690+GV	A : 6,98 - 0,820	B : 7,03 - 0,580	C : 7,03 - 0,700	D : 9,01 - 0,820
S6-90	E : 5,66 - 0,700	F : 6,37 - 0,820	G : 6,37 - 1,000	H : 6,37 - 1,000
	M : 6,98 - 1,000	N : 7,03 - 0,810	P : 7,03 - 1,000	Q : 9,01 - 1,000
			R : 9,08 - 1,000	



All original equipment manufacturers' numbers, symbols, pictures, models and description used in this catalogue are for reference only, and it is not implied that any part listed is the product of these manufactures. Tutti i nostri particolari non sono originali ma con essi intercambiabili. I riferimenti originali, le figure, i modelli sono esposti a semplice titolo indicativo. La nostra produzione riporta il nostro marchio.

Fig.	CEI no.	O.E.M. Reference		Description	Q.ty	Note	Ratio	S6-90+GV90 S6-90						
		ZF no.	MB no.											
25	103.040	1250 304 388	000 262 1405	Main Shaft (34 Splines)	1	Old w/nut	BCD	●						
25	103.040	1250 304 388	000 262 1405	Main Shaft (34 Splines)	1	Old w/nut	EFNPQR	●						
25	103.041	1250 304 474	000 262 2405	Main Shaft (8 Splines)	1	New w/seeger	BCD	●						
25	103.041	1250 304 474	000 262 2405	Main Shaft (8 Splines)	1	New w/seeger	EFNPQR	●						
25	103.048	1250 304 473	000 262 2305	Main Shaft (34 Splines)	1	New w/seeger	BCD	●						
25	103.048	1250 304 473	000 262 2305	Main Shaft (34 Splines)	1	New w/seeger	EFNPQR	●						
26	137.094	0750 115 282	013 981 9210	Needle Cage D.95x103x39,5	1			●	●					
27	145.211	1268 304 204	000 262 2112	Gear 2nd Speed 42 T	1			●	●					
27	145.882	1268 304 273		Gear 2nd Speed 43 T	1		Only H		●					
28	109.029	1250 304 350	000 262 0240	Synchronizer Cone	2			●	●					
29	119.055	1250 304 472		Synchronizer Ring	2	Old Type		●	●					
29	119.164	1250 304 391	000 262 1634	Synchronizer Ring	2	New Type		●	●					
29	119.068	1250 304 227	336 262 0634	Synchronizer Ring	2	Oldest(*)		●	●					
30	155.091	1268 304 150	000 262 3135	Synchronizer Hub	1			●	●					
31	154.051	1257 304 020	336 262 0023	Sliding Sleeve 1st-2nd Speed	1			●	●					
32	137.095	0750 115 283	002 981 1710	Needle Cage D.80x88x46	1			●	●					
33	146.125	1268 304 256	000 262 4111	Gear 1st Speed 51 T	1			●	●					
34	109.030	1250 304 006	343 262 0036	Follower Ring	1			●	●					
35	117.101	0730 160 344	343 262 0350	Bush D.70x84x48,70	1			●	●					
36	137.096	0735 320 154	001 981 7410	Needle Cage D.84x96x36	1			●	●					
37	147.072	1268 304 008	000 262 1111	Reverse Gear 47 T	1			●	●					
38	130.258	0750 118 082	005 981 8501	Bearing D.70x150x35	1			●	●					
39	155.075	1250 304 107	343 262 0145	Output Flange D.150	1	8 spl.		●	●					
39	155.079	1250 204 008	366 260 0017	Output Flange D.165	1	8 spl.		●	●					
39	155.102	1268 304 136	000 262 0745	Output Flange D.150	1	34 spl.		●	●					
39	197.067	1268 304 148	000 264 1445	Output Flange D.165	1	34 spl.		●	●					
39	155.132	1269 338 028	000 264 0845	Output Flange D.165 (8 holes)	1	34 spl.		●	●					
39	155.113	1269 338 020	000 264 0945	Output Flange D.180 (10 holes)	1	34 spl.		●	●					
40	188.070	1240 304 117	343 262 0062	Stop Washer	1			●	●					
41	141.061	1272 334 003	000 268 0149	Bronze Slide	2			●	●					
42	130.242	0750 117 010	001 980 8102	Bearing D.50,80x100x35	1			●	●					
43	146.281	1268 303 093	000 263 2910	Constant Gear 46 T	1		ALM	●	●					
43	146.108	1268 303 057	000 263 1410	Constant Gear 48 T	1		BCNP	●	●					
43	146.107	1268 303 056	000 263 1510	Constant Gear 53 T	1		DQ	●	●					
43	146.598	1268 303 059		Constant Gear 44 T	1		E	●	●					
43	146.601	1268 303 084		Constant Gear 42 T	1		FH	●	●					
43	146.602	1268 303 058	000 263 2310	Constant Gear 39 T	1		G	●	●					
43	146.603	1268 303 074		Constant Gear 47 T	1		R	●	●					
44	146.604	1268 303 094		Gear 5th Speed 37 T	1		AHL	●	●					
44	146.208	1268 303 007		Gear 6th Speed 61 T	1		BC	●	●					
44	146.106	1268 303 004	000 263 0815	Gear 5th Speed 34 T	1		DQ	●	●					
44	146.599	1268 303 010		Gear 6th Speed 53 T	1		E	●	●					
44	146.606	1268 303 085		Gear 6th Speed 46 T	1		F	●	●					
44	146.607	1268 303 038	000 263 1315	Gear 5th Speed 33 T	1		GP	●	●					
44	146.280	1268 303 096	000 263 1815	Gear 5th Speed 39 T	1		M	●	●					

Notes

(*) Old Version with 3 spring holes. To be used with spring 156.025 (fig. 7)

Date

05 / 2006

Table

0060 /

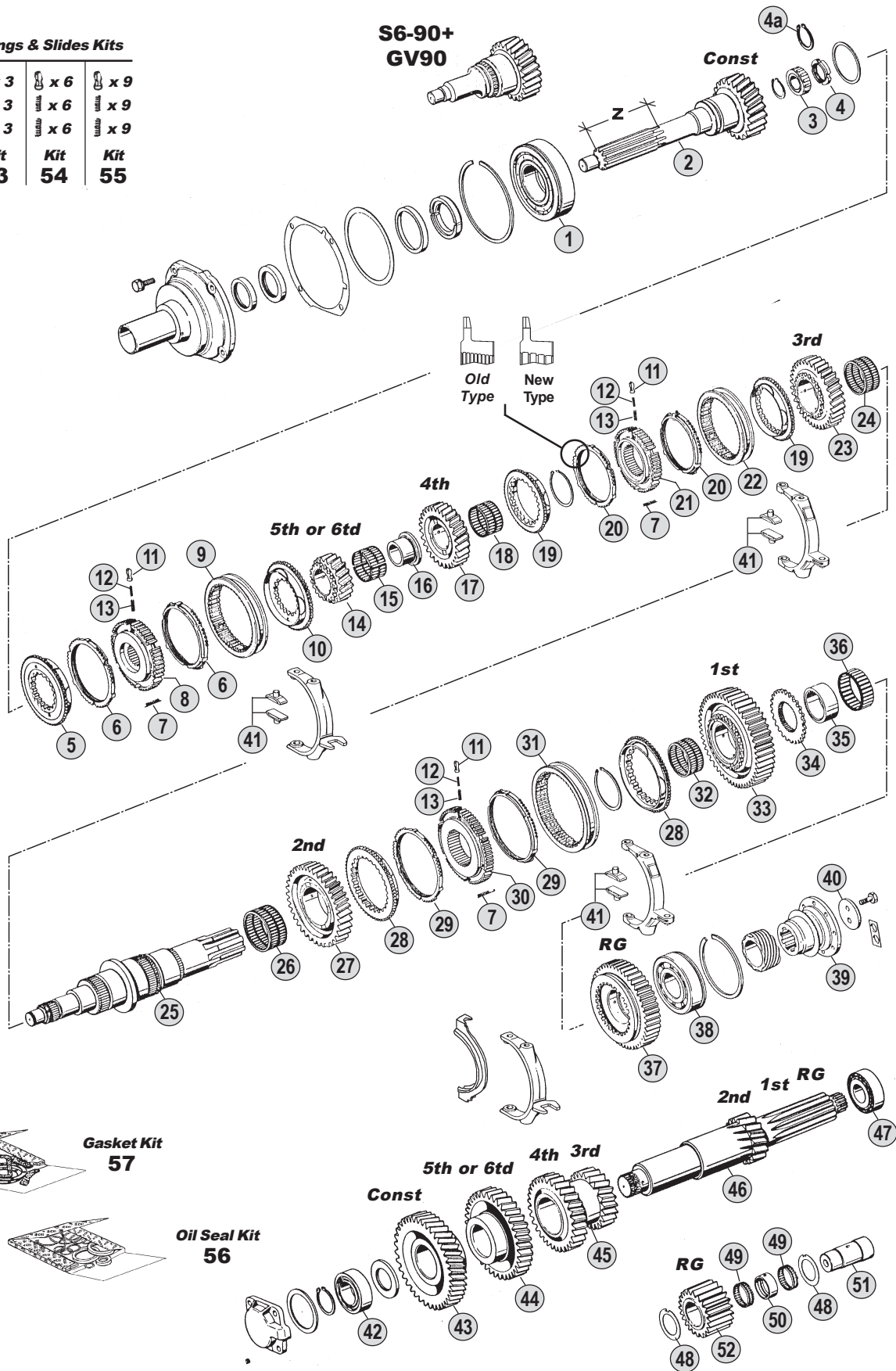
All original equipment manufacturers numbers, symbols, pictures, models and description used in this catalogue are for reference only, and it is not implied that any part listed is the product of these manufactures. Tutti i nostri particolari non sono originali ma con essi intercambiabili. I riferimenti originali, le figure, i modelli sono esposti a semplice titolo indicativo. La nostra produzione riporta il nostro marchio.

Suitable To : **ZF**

S6-90 and **S6-90+GV**

Springs & Slides Kits

x 3	x 6	x 9
x 3	x 6	x 9
x 3	x 6	x 9
Kit 53	Kit 54	Kit 55



Kits



Ratios

S690+GV	A : 6,98 - 0,820	B : 7,03 - 0,580	C : 7,03 - 0,700	D : 9,01 - 0,820
S6-90	E : 5,66 - 0,700	F : 6,37 - 0,820	G : 6,37 - 1,000	H : 6,37 - 1,000
	M : 6,98 - 1,000	N : 7,03 - 0,810	P : 7,03 - 1,000	Q : 9,01 - 1,000
			R : 9,08 - 1,000	



All original equipment manufacturers' numbers, symbols, pictures, models and description used in this catalogue are for reference only, and it is not implied that any part listed is the product of these manufactures. Tutti i nostri particolari non sono originali ma con essi intercambiabili. I riferimenti originali, le figure, i modelli sono esposti a semplice titolo indicativo. La nostra produzione riporta il nostro marchio.

Fig.	CEI no.	O.E.M. Reference		Description	Q.ty	Note	Ratio	S6-90+GV90				
		ZF no.	MB no.					S6-90				
44	146.105	1268 303 012	000 263 0715	Gear 6th Speed 59 T	1		N	●				
44	146.608	1268 303 073		Gear 5th Speed 42 T	1		R	●				
45	143.130	1268 303 095		Double Gear 3/4th-20/26 T	1		AHL	●	●			
45	143.038	1268 303 006	000 263 0613	Double Gear 3rd/4th-23/33 T	1		BCN	●	●			
45	143.039	1268 303 005	000 263 0713	Double gear 3rd/4th-23/28 T	1		DQ	●	●			
45	143.129	1268 303 011		Double Gear 3rd/4th-23/30 T	1		E	●				
45	143.132	1268 303 086		Double Gear 3/4th-23/32 T	1		F	●				
45	143.133	1268 303 039	000 263 1113	Double Gear 3/4th-27/22 T	1		GP	●				
45	143.073	1268 303 097	000 263 2013	Double Gear 21/27 T	1		M	●				
45	143.134	1268 303 072		Double Gear 3/4th Speed	1		R	●				
46	105.042	1268 203 001	000 260 0124	Countershaft 12-17 T	1			●	●			
46	105.190	1268 203 061		Countershaft 12/17 T	1		Only H	●				
47	130.263	0635 374 019	004 981 1305	Bearing D.45x100x38	1			●	●			
48	169.234	0730 150 064	343 263 0062	Thrust Washer	2			●	●			
49	137.007	0750 115 011	010 981 1010	Needle Cage D.45x53x21	2			●	●			
50	169.443	1250 305 006	000 263 0650	Spacer	1			●	●			
51	107.072	1250 305 003	343 263 0030	Reverse Pin	1			●	●			
52	147.071	1268 305 009	343 263 0062	Reverse Gear 20 T	1			●	●			
53	198.339	1268 298 938		Spring Slide Set	1			●	●			
54	198.564	CEI 198564		Spring Slide Set	1			●	●			
55	198.842	1295 298 933		Spring Slide Set	1			●	●			
56	198.419	1268 298 903		Oil Seal Kit	1			●	●			
57	198.420	1268 298 904		Gasket Kit	1			●	●			

All original equipment manufacturers numbers, symbols, pictures, models and description used in this catalogue are for reference only, and it is not implied that any part listed is the product of these manufactures.
Tutti i nostri particolari non sono originali ma con essi intercambiabili. I riferimenti originali, le figure, i modelli sono esposti a semplice titolo indicativo. La nostra produzione riporta il nostro marchio.

S6-90

1268 xxx xxx

Notes

(*) Old Version with 3 spring holes. To be used with spring 156.025 (fig. 7)

Date

05 / 2006

Table

0060 /

suitable to :

Z.F.

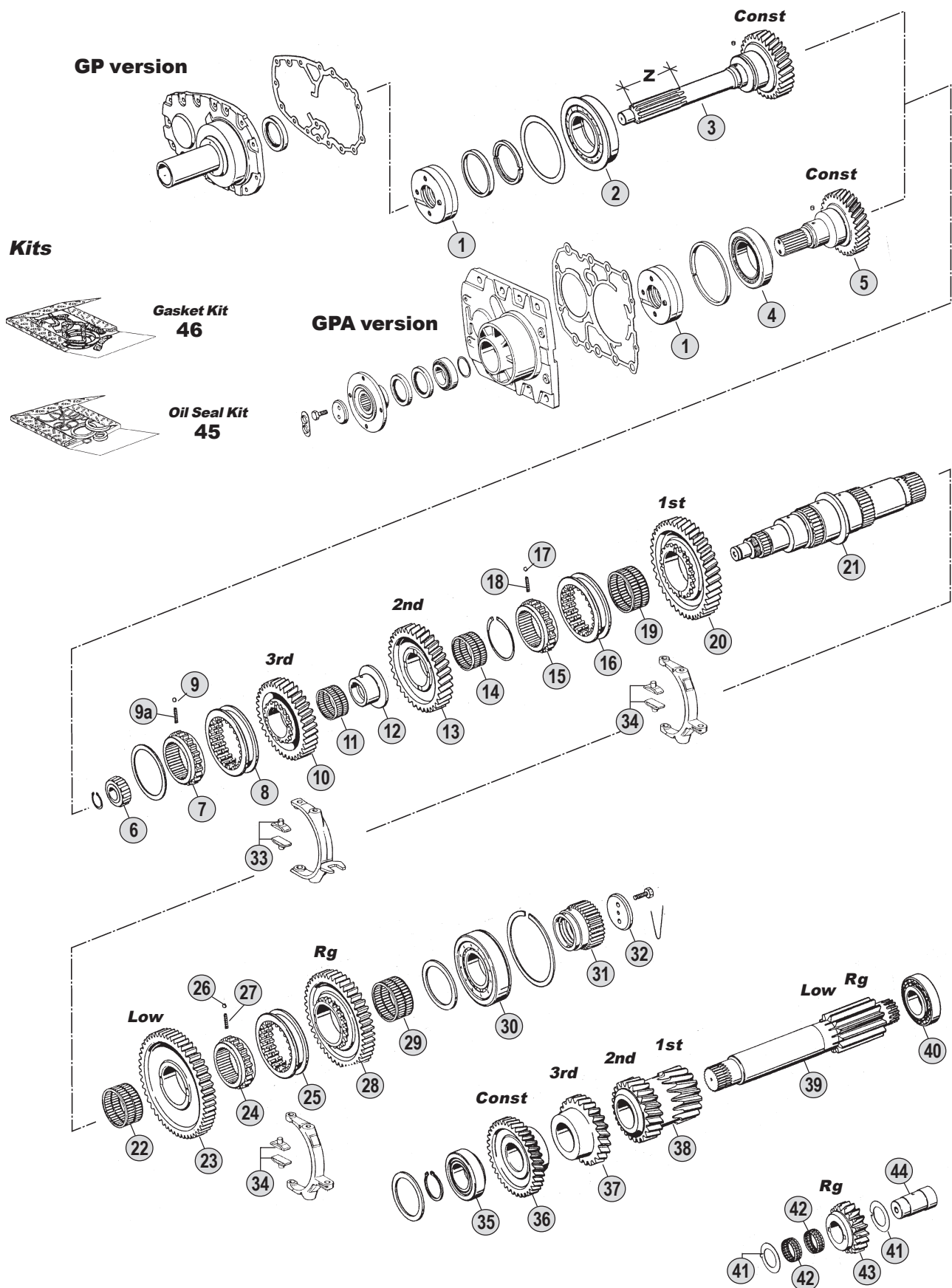
Old Range

5K90 GP
5K90 GPA
5K91 GP
5K91 GPA

5S90 GP
5S92 GP
5S90 GPA

(1272 xxx xxx)

OLD RANGE
5K/590-91-92

Suitable To : **ZF****5K90GP/GPA and 5K91GP/GPA**

All original equipment manufacturers' numbers, symbols, pictures, models and description used in this catalogue are for reference only, and it is not implied that any part listed is the product of these manufactures. Tutti i nostri particolari non sono originali ma con essi intercambiabili. I riferimenti originali, le figure, i modelli sono esposti a semplice titolo indicativo. La nostra produzione riporta il nostro marchio.

Ratios

5K90GP	13,00-1,00
5K91GP	13,00-1,00
5K90GPA	13,32-1,02
5K91GPA	13,32-1,02

Fig.	CEI no.	O.E.M. Reference		Description	Q.ty	Note	Ratio	5K-90GP				5K-91GP				5K-90GPA				5K-91GPA			
		ZF no.	MB no.																				
1	280.303	1269 202 104	000 260 1090	Oil Pump	1			●	●	●	●												
1	280.348	1295 202 041	000 260 1290	Oil Pump	1	Can Repl.1269 202 104		●	●	●	●												
2	130.235	0735 370 033	005 981 5005	Bearing D.80x140x25	1			●	●														
3	190.202	1272 298 904	000 262 6102	Input Shaft 33 T	1	Z=116 mm	(#)	●	●														
3	190.398	1272 298 911		Input Shaft 33 T	1	Z=110 mm	(@)	●	●														
4	130.693	0750 117 381		Bearing D.80x140x28,2	1							●	●										
5	102.134	1272 298 907	000 262 8402	Input Shaft 33 T	5		(#)							●	●								
5	102.381	1272 298 914	000 262 9802	Input Shaft 33 T	1		(@)									●	●						
6	137.087	0750 118 019	004 981 5801	Roller Cage D.30x60x26	1			●	●	●	●												
7	155.076	1250 304 185	343 262 0427	Synchronizer Hub	1		(#)	●	●	●	●												
7	155.143	1272 304 124	000 262 1927	Synchronizer Hub	1		(@)	●	●	●	●												
8	154.053	1250 304 362	000 262 2323	Sliding Sleeve	1		(#)	●	●	●	●												
8	154.100	1250 304 440	000 262 3723	Sliding Sleeve	1		(@)	●	●	●	●												
9	171.014	0635 460 010	002 981 5685	Ball D.6	3			●	●	●	●												
9A	156.150	1203 321 009	002 993 1801	Spring De.5,50x12	3			●	●	●	●												
10	145.155	1272 304 139	000 262 4513	Gear 3rd Speed 33 T	1		(#)	●	●	●	●												
10	145.313	1272 304 123	000 262 3613	Gear 3rd Speed 33 T	1		(@)	●	●	●	●												
11	137.265	0735 320 731	012 981 7810	Needle Cage D.57x63x18,5	1			●	●	●	●												
12	117.145	1283 304 004	000 262 0750	Bushing	1			●	●	●	●												
13	145.283	1272 304 080	000 262 1212	Gear 2nd Speed 38 T	1		(#)	●	●	●	●												
13	145.314	1272 304 121	000 262 2912	Gear 2nd Speed 38 T	1		(@)	●	●	●	●												
14	137.266	0735 320 732	012 981 7910	Needle Cage D.65x73x16,4	1			●	●	●	●												
15	155.077	1250 304 234	343 262 0527	Synchronizer Hub	1		(#)	●	●	●	●												
15	155.153	1272 304 125	000 262 2027	Synchronizer Hub	1		(@)	●	●	●	●												
16	154.056	1250 304 233	000 262 1023	Sliding Sleeve	1		(#)	●	●	●	●												
16	154.101	1250 304 441	000 262 3823	Sliding Sleeve	1		(@)	●	●	●	●												
17	171.014	0635 460 010	002 981 5685	Ball D.6	3			●	●	●	●												
18	156.124	0732 040 497	343 264 0993	Spring De.6x7	3			●	●	●	●												
19	137.074	0750 115 227	005 981 9910	Needle Bearing D.75x83x40	1			●	●	●	●												
20	145.282	1272 304 079	000 262 2811	Gear 1st Speed 43 T	1		(#)	●	●	●	●												
20	145.315	1272 304 119	000 262 5511	Gear 1st Speed 43 T	1		(@)	●	●	●	●												
21	103.077	1272 304 058	000 262 1505	Main Shaft (GP version)	1			●	●														
21	103.078	1272 304 065	000 262 1605	Main Shaft (GPA version)	1							●	●										
22	137.075	0735 320 377	006 981 6410	Needle Bearing D.75x83x33	1			●	●	●	●												
23	145.268	1283 304 007	000 262 2211	Gear Low Speed 44 T	1			●	●	●	●												
24	155.139	1246 304 136	000 262 1627	Hub	1			●	●	●	●												
25	154.056	1250 304 233	000 262 1023	Sliding Sleeve	1			●	●	●	●												
26	171.014	0635 460 010	002 981 5685	Ball D.6	1			●	●	●	●												
27	156.124	0732 040 497	343 264 0993	Spring De.6x7	3			●	●	●	●												
28	145.269	1283 304 022	000 262 2411	Reverse gear 38 T	1			●	●	●	●												
29	137.267	0735 320 417	012 981 7910	Needle cage D.65x73x33	1			●	●	●	●												
30	130.694	0750 118 015	005 981 5201	Bearing D.55x120x29	1			●	●	●	●												
31	157.102	1285 304 038	000 262 2210	Sun gear 35 T	1			●	●	●	●												
32	188.076	1272 304 021	000 262 2762	Stop Washer	1			●	●	●	●												
33	141.079	1283 306 003	000 268 0249	Bronze slide	2			●	●	●	●												

Notes

(# - @) Different coupling cone versions.To be coupled together. **DO NO MIX**
The new version (@) **dont use** balls and springs

Date

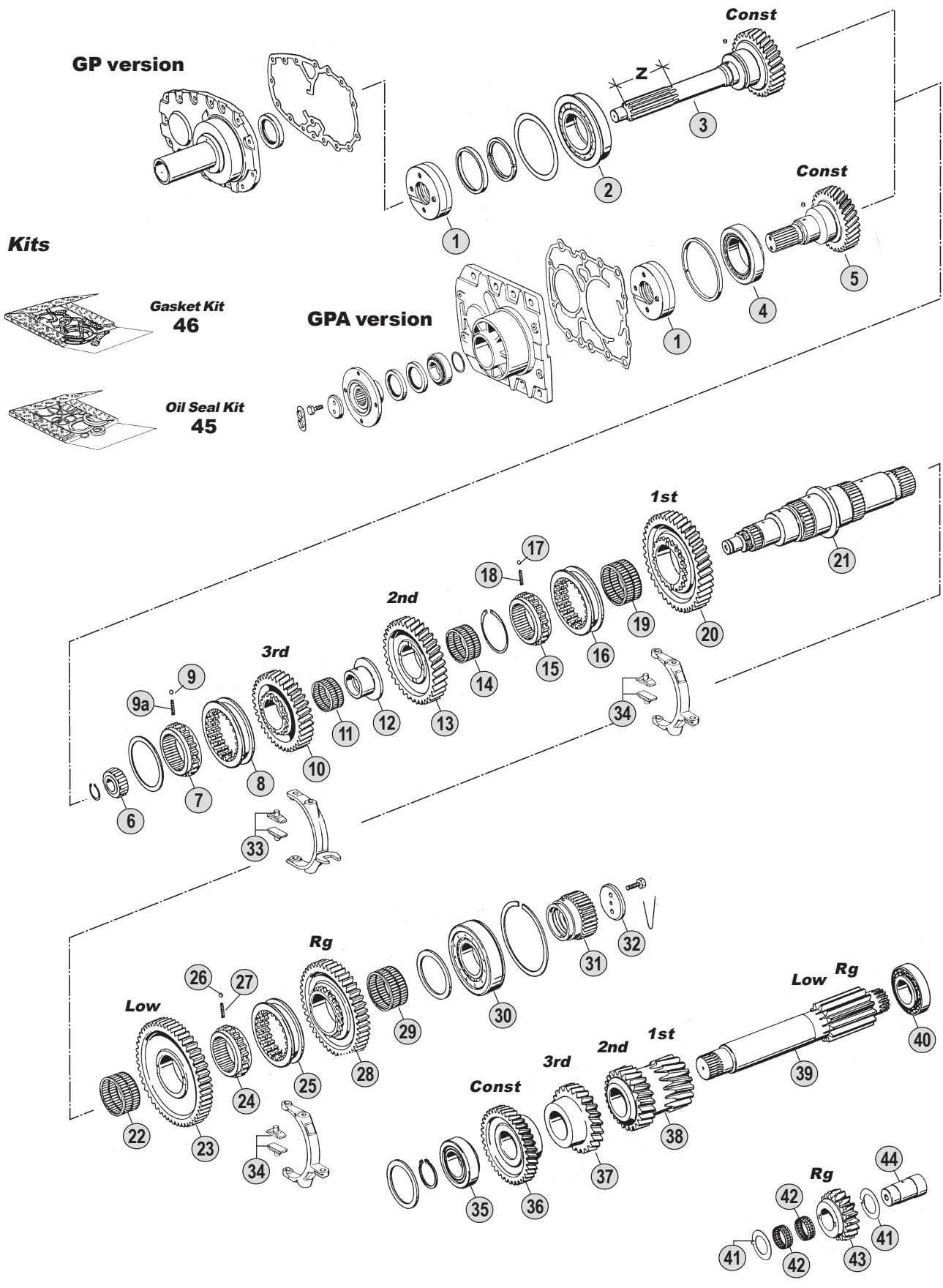
05 / 2006

Table

0070 /A

Suitable To : **ZF**

5K90GP/GPA and 5K91GP/GPA



All original equipment manufacturers' numbers, symbols, pictures, models and description used in this catalogue are for reference only, and it is not implied that any part listed is the product of these manufactures. Tutti i nostri particolari non sono originali ma con essi intercambiabili. I riferimenti originali, le figure, i modelli sono esposti a semplice titolo indicativo. La nostra produzione riporta il nostro marchio.

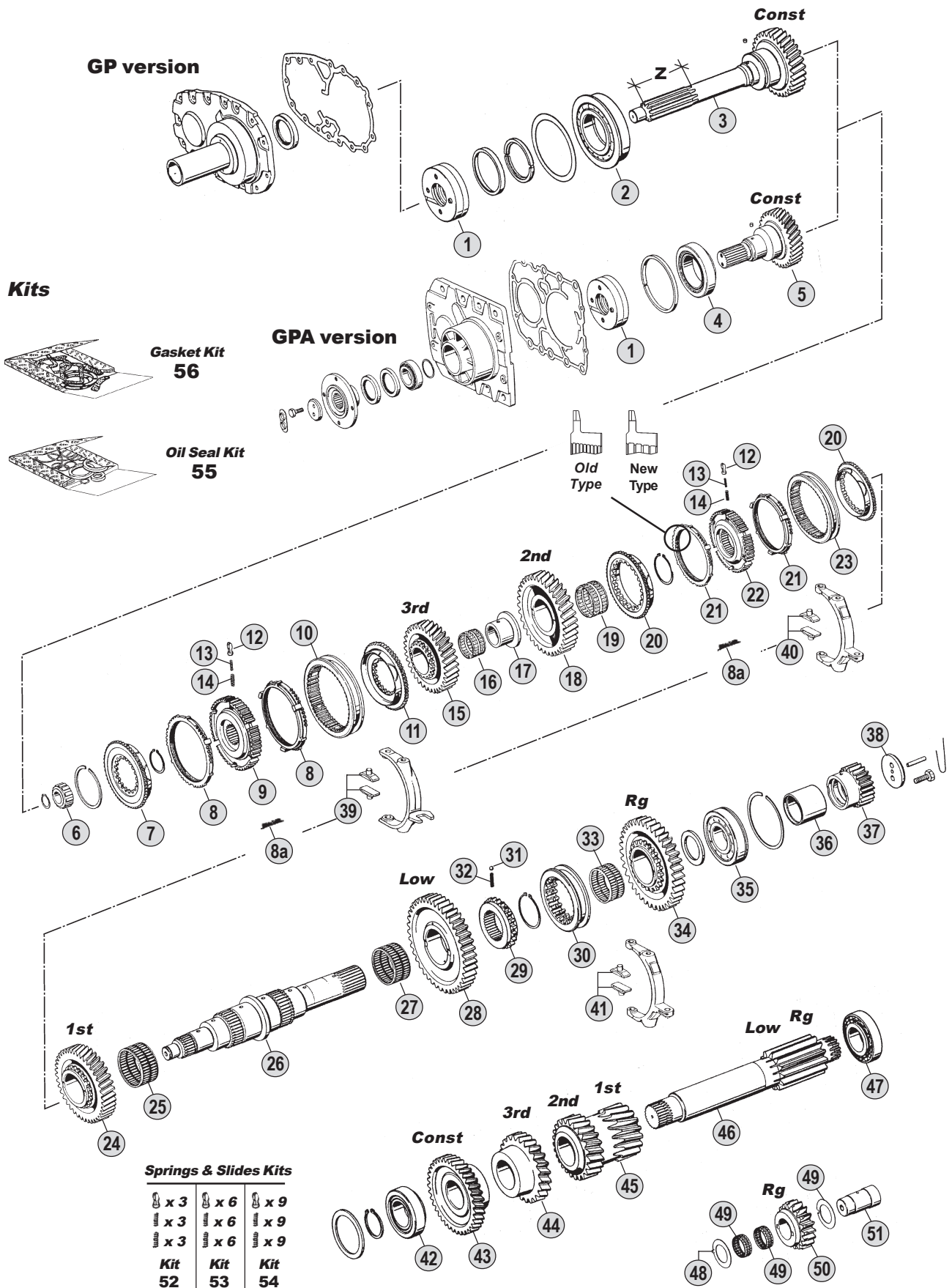
Ratios

5K90GP	13,00-1,00
5K91GP	13,00-1,00
5K90GPA	13,32-1,02
5K91GPA	13,32-1,02



Suitable To : **ZF**

5S90GP/GPA and 5S92GP



All original equipment manufacturers' numbers, symbols, pictures, models and description used in this catalogue are for reference only, and it is not implied that any part listed is the product of these manufactures. Tutti i nostri particolari non sono originali ma con essi intercambiabili. I riferimenti originali, le figure, i modelli sono esposti a semplice titolo indicativo. La nostra produzione riporta il nostro marchio.

Ratios

5S90GP	13,00-1,00
5S92GP	13,01-1,00
5S90GPA	13,32-1,02

Fig.	CEI no.	O.E.M. Reference		Description	Q.ty	Note	Ratio	5S-90GP				5S-92GP				5S-90GPA			
		ZF no.	MB no.																
1	280.303	1269 202 104	000 260 1090	Oil Pump	1			●	●	●									
1	280.348	1295 202 041	000 260 1290	Oil Pump	1	Can Repl. 1269 202 104		●	●	●									
2	130.235	0735 370 033	005 981 5005	Bearing D.80x140x25	1			●	●										
3	190.202	1272 298 904	000 262 6102	Input Shaft 33 T	1	Z=116 mm		●											
3	190.187	1272 298 909	000 262 9202	Input shaft 33 t.	1	Z=125 mm		●											
3	102.132	1272 298 915	001 262 0002	Input shaft 33 t.	1	Z=110 mm			●										
3	102.382	1272 298 917		Input Shaft 33 T	1	Z=116 mm			●										
3	190.204	1272 298 918	001 262 0502	Input shaft 33 T	1	Z=125 mm			●										
4	130.693	0750 117 381		Bearing D.80x140x28,2	1					●									
5	102.133	1272 298 903	000 262 6202	Input shaft 33 T	1					●									
6	137.087	0750 118 019	004 981 5801	Roller Cage D.30x60x26	1			●	●	●									
7	109.031	1250 304 292	336 262 0240	Synchronizer Cone	1			●		●									
7	109.028	1272 304 136	000 262 1740	Synchronizer Cone	1				●										
8	119.042	1272 304 076	000 262 1334	Synchronizer Ring	2	Old Type		●	●	●									
8	119.163	1272 304 166	000 262 8834	Synchronizer Ring	2	New Type		●	●	●									
8	119.054	1250 304 226	336 262 0734	Synchronizer Ring	2	Oldest(*)		●	●	●									
8A	156.025	0732 020 030	336 264 0893	Spring L=31,50	3	Oldest		●	●	●									
9	155.060	1272 304 078	000 262 2235	Synchronizer Hub	1			●		●									
9	155.141	1272 304 135	000 262 4135	Synchronizer hub	1				●										
10	154.032	1272 304 077	000 262 1923	Sliding Sleeve	1			●	●	●									
11	109.028	1272 304 136	000 262 1740	Synchronizer Cone	1			●	●	●									
12	160.116	1240 304 278	336 264 0239	Pressure Piece	3			●	●	●									
13	156.036	0732 040 386	336 264 0793	Inner Spring De.3x34	3			●	●	●									
14	156.037	0732 040 385	336 264 0693	Outer Spring De.6x34	3			●	●	●									
15	145.155	1272 304 139	000 262 4513	Gear 3rd Speed 33 T	1			●		●									
15	145.284	1272 304 134	000 262 4313	Gear 3rd Speed 37 T	1				●										
16	137.265	0735 320 731	012 981 7810	Needle Cage D.57x63x18,5	1			●	●	●									
17	117.145	1283 304 004	000 262 0750	Bushing	1			●	●	●									
18	145.283	1272 304 080	000 262 1212	Gear 2nd Speed 38 T	1			●		●									
18	145.288	1272 304 131	000 262 3412	Gear 2nd Speed 40 T	1				●										
19	137.266	0735 320 732	012 981 7910	Needle Cage D.65x73x16,4	1			●	●	●									
20	109.022	1250 304 351	000 262 0340	Synchronizer Cone	2			●	●	●									
21	119.042	1272 304 076	000 262 1334	Synchronizer Ring	2	Old Type		●	●	●									
21	119.163	1272 304 166	000 262 8834	Synchronizer Ring	2	New Type		●	●	●									
21	119.054	1250 304 226	336 262 0734	Synchronizer Ring	1	Oldest(*)		●	●	●									
22	155.123	1272 304 075	000 262 2135	Synchronizer hub	1			●		●									
22	155.142	1272 304 130	000 262 4035	Synchronizer hub	1				●										
23	154.032	1272 304 077	000 262 1923	Sliding Sleeve	1			●	●	●									
24	145.282	1272 304 079	000 262 2811	Gear 1st Speed 43 T	1			●		●									
24	145.290	1272 304 132	000 262 6511	Gear 1st Speed 43 T	1				●										
25	137.074	0750 115 227	005 981 9910	Needle Bearing D.75x83x40	1			●	●	●									
26	103.077	1272 304 058	000 262 1505	Main Shaft (GP version)	1			●	●										
26	103.078	1272 304 065	000 262 1605	Main Shaft (GPA version)	1					●									
27	137.075	0735 320 377	006 981 6410	Needle Bearing D.75x83x33	1			●	●	●									
28	145.268	1283 304 007	000 262 2211	Gear Low Speed 44 T	1			●		●									

Notes

(*) Old Version with 3 spring holes. To be used with spring 156.025 (fig. 8A)

Date

05 / 2006

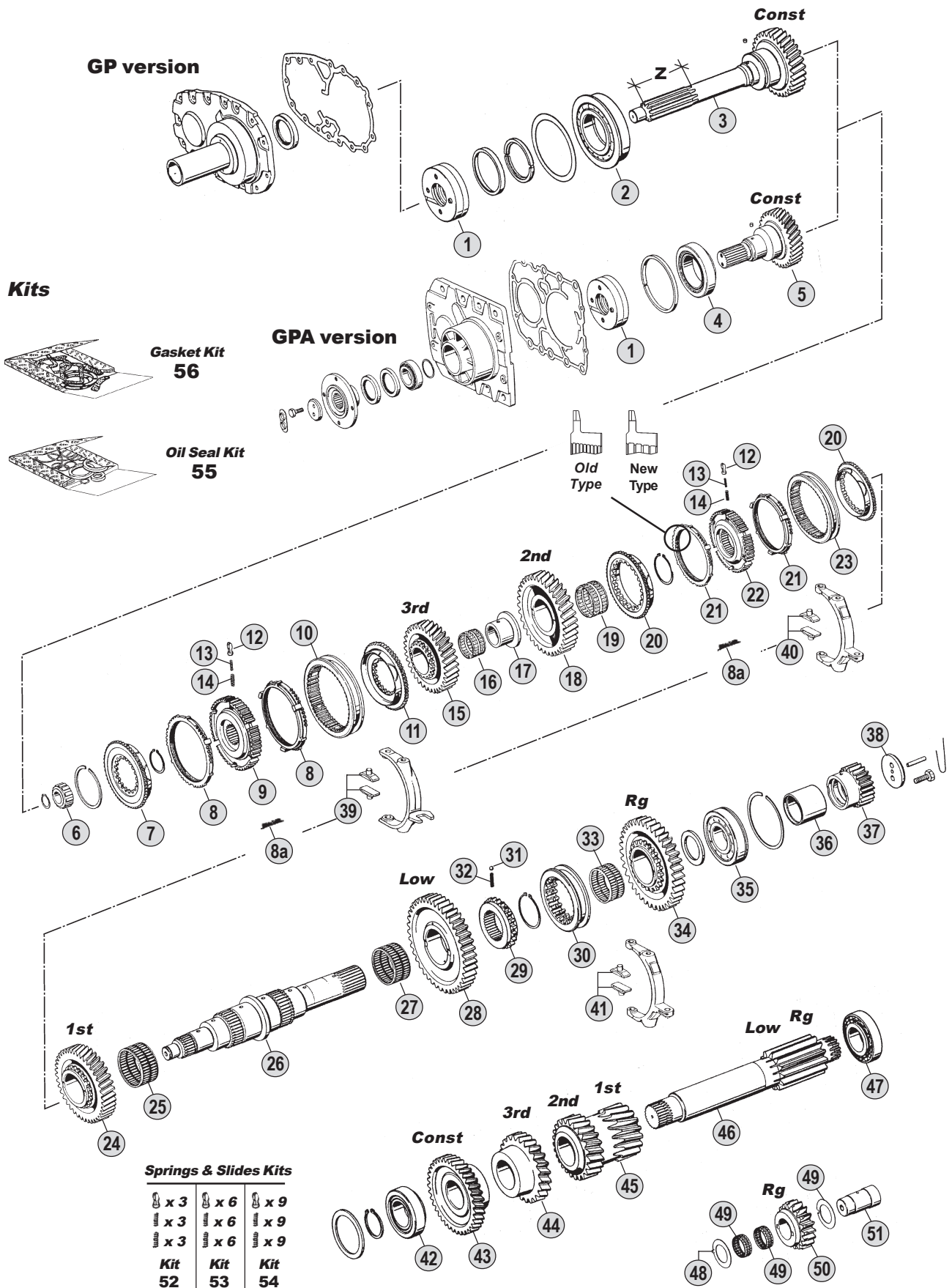
Table

0070 / B

All original equipment manufacturers numbers, symbols, pictures, models and description used in this catalogue are for reference only, and it is not implied that any part listed is the product of these manufactures. Tutti i nostri particolari non sono originali ma con essi intercambiabili. I riferimenti originali, le figure, i modelli sono esposti a semplice titolo indicativo. La nostra produzione riporta il nostro marchio.

Suitable To : **ZF**

5S90GP/GPA and 5S92GP



All original equipment manufacturers' numbers, symbols, pictures, models and description used in this catalogue are for reference only, and it is not implied that any part listed is the product of these manufactures. Tutti i nostri particolari non sono originali ma con essi intercambiabili. I riferimenti originali, le figure, i modelli sono esposti a semplice titolo indicativo. La nostra produzione riporta il nostro marchio.

Ratios

5S90GP	13,00-1,00
5S92GP	13,01-1,00
5S90GPA	13,32-1,02

Fig.	CEI no.	O.E.M. Reference		Description	Q.ty	Note	Ratio					
		ZF no.	MB no.					5S-90GP	5S-92GP	5S-90GPA		
28	145.291	1272 304 133	000 262 6611	Gear Low Speed 44 T	1			●				
29	155.139	1246 304 136	000 262 1627	Hub	1			●	●	●		
30	154.056	1250 304 233	000 262 1023	Sliding Sleeve	1			●	●	●		
31	171.014	0635 460 010	002 981 5685	Ball D.6	3			●	●	●		
32	156.124	0732 040 497	343 264 0993	Spring De.6x7	3			●	●	●		
33	137.267	0735 320 417	012 981 7910	Needle cage D.65x73x33	1			●	●	●		
34	145.269	1283 304 022	000 262 2411	Reverse gear 38 T	1			●	●	●		
35	130.694	0750 118 015	005 981 5201	Bearing D.55x120x29	1			●	●	●		
36	117.204	1272 304 066	000 262 1553	Bushing	1			●	●	●		
37	157.102	1285 304 038	000 262 2210	Sun gear 35 T	1			●	●	●		
38	188.076	1272 304 021	000 262 2762	Stop Washer	1			●	●	●		
39	141.079	1283 306 003	000 268 0249	Bronze slide	2			●	●	●		
40	141.061	1272 334 003	000 268 0149	Bronze Slide	2			●	●	●		
41	141.068	1295 306 132	000 268 0849	Bronze Slide	2			●	●	●		
42	130.234	0750 117 083	009 981 3301	Bearing D.50,8x95,2x27,7	1			●	●	●		
43	146.207	1272 303 025	000 263 2410	Constant gear 37 T	1			●	●	●		
44	146.206	1272 303 027	000 263 1313	Gear 3rd Speed 27 T	1			●		●		
44	146.214	1272 303 042	000 263 2613	Gear 3rd Speed 32 T	1				●			
45	143.065	1272 303 026	000 263 1213	Double gear 2nd/1st 19-23 T	1			●		●		
45	143.066	1272 303 041	000 263 2513	Double gear 2nd/1st 20/26 T	1				●			
46	105.059	1283 303 002	000 263 1602	Countershaft 13 T	1			●		●		
46	105.061	1272 303 040	000 263 3002	Countershaft 13 T	1				●			
47	130.233	1246 203 008	001 980 9602	Roller bearing D.44,45x95,25x28,	1			●	●	●		
48	169.234	0730 150 064	343 263 0062	Thrust Washer	2			●	●	●		
49	137.007	0750 115 011	010 981 1010	Needle Cage D.45x53x21	2			●	●	●		
50	147.117	1283 305 004	000 263 1331	Reverse gear 21 T	1			●	●	●		
51	107.088	1269 305 003	000 263 0530	Reverse Shaft	1			●	●	●		
52	198.339	1268 298 938		Spring Slide Set	1			●	●	●		
53	198.564	CEI 198564		Spring Slide Set	1			●	●	●		
54	198.842	1295 298 933		Spring Slide Set	1			●	●	●		
55	298.029	1272 298 922		Oil Seal Kit	1			●	●			
56	298.030	1272 298 921		Gasket Kit	1			●	●			

Notes

(*) Old Version with 3 spring holes. To be used with spring 156.025 (fig. 8A)

Date

05 / 2006

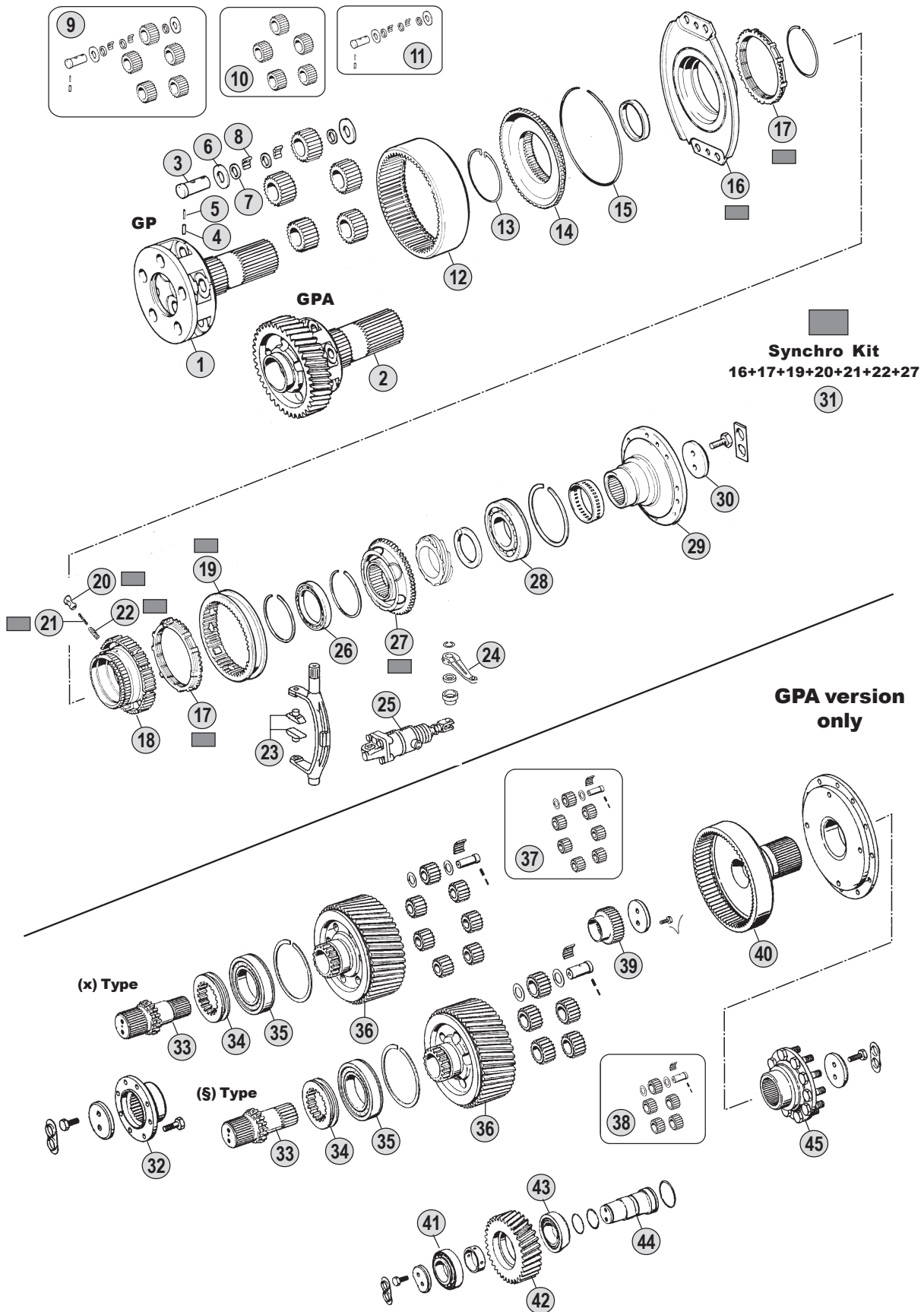
Table

0070 / B

All original equipment manufacturers numbers, symbols, pictures, models and description used in this catalogue are for reference only, and it is not implied that any part listed is the product of these manufactures.
Tutti i nostri particolari non sono originali ma con essi intercambiabili. I riferimenti originali, le figure, i modelli sono esposti a semplice titolo indicativo. La nostra produzione riporta il nostro marchio.

Suitable To : **ZF**

5K/S90-91 GP/GPA and 5S92GP



All original equipment manufacturers' numbers, symbols, pictures, models and description used in this catalogue are for reference only, and it is not implied that any part listed is the product of these manufactures. Tutti i nostri particolari non sono originali ma con essi intercambiabili. I riferimenti originali, le figure, i modelli sono esposti a semplice titolo indicativo. La nostra produzione riporta il nostro marchio.

Ratios

5K/S 90-91 GP	13,00-1,00
5S92GP	13,01-1,00
5K/S 90-91 GPA	13,32-1,02

Fig.	CEI no.	O.E.M. Reference		Description	Q.ty	Note	Ratio						
		ZF no.	MB no.					5K/S 90-91 GP	5S-92 GP	5K/S 90-91 GPA			
1	190.182	1285 232 003	000 260 0661	Planet Carrier	1			●	●				
2	190.399	1272 232 014	000 260 1661	Planet Carrier (GPA)	1					●			
3	107.100	1285 332 011	000 264 1818	Planet Shaft	5			●	●	●			
4	160.151	0631 329 048	001 481 005 026	Lock Pin D.5,4x20	5			●	●	●			
5	160.152	0631 329 016	001 481 003 021	Lock Pin D.3x20	5			●	●	●			
6	169.396	0501 304 692	002 264 5152	Thrust Washer 1,50	10			●	●	●			
7	169.397	0730 103 102	002 264 5252	Spacer Ring 1,50	15			●	●	●			
8	171.015	0735 470 027	001 981 0087	Needle D.5x13,80	200			●	●	●			
9	198.449	1272 298 925	000 262 0006	Planetary Gear Set (complete)	1			●	●	●			
10	198.337	1285 232 901	000 260 0397	Planetary Gear Set (5 pcs)	1			●	●	●			
11	198.448	CEI 198448	CEI 198448	Overhaul Planetary Gear Kit	1	Complete (For 5 series)		●	●	●			
12	123.159	1285 332 005	000 264 2021	Crown Gear 85 T	1			●	●	●			
13	111.266	0730 505 027	001 994 0135	Lock Ring	1			●	●	●			
14	150.109	1285 332 006	000 264 1576	Carrier Hub 85 T	1			●	●	●			
15	111.267	0730 505 054	001 994 4135	Lock ring A=2	1			●	●	●			
16	135.077	1285 233 007	000 262 1937	Synchronizer Cone	1			●	●	●			
17	119.078	1272 333 019	000 262 1434	Synchronizer Ring	2			●	●	●			
18	155.126	1272 333 020	000 262 2335	Synchronizer Hub	1			●	●	●			
19	154.081	1285 333 020	000 262 3923	Sliding Sleeve	1			●	●	●			
20	160.127	1285 333 007	000 262 0840	Pressure piece	6			●	●	●			
21	156.036	0732 040 386	336 264 0793	Inner Spring De.3x34	6			●	●	●			
22	156.037	0732 040 385	336 264 0693	Outer Spring De.6x34	6			●	●	●			
23	141.068	1295 306 132	000 268 0849	Bronze Slide	2			●	●	●			
24	149.207	1285 334 023	000 264 2424	Shift Lever	1			●	●	●			
25	280.630	0750 132 019	000 260 4663	Cylinder	1			●	●	●			
26	130.265	0735 340 080	002 981 7825	Bearing D.70x90x10	1			●	●	●			
27	109.066	1285 333 021	000 262 1637	Synchronizer Cone	1			●	●	●			
28	130.266	0750 116 036	003 981 9925	Bearing D.65x120x23	1			●	●	●			
29	155.138	1285 338 004	000 262 1045	Output Flange	1			●	●				
29	155.137	1285 338 005	000 264 1545	Output Flange	1			●	●				
30	188.070	1240 304 117	343 262 0062	Stop Washer	1			●	●				
31	198.757	1269 298 978		Synchronizer Kit	1			●	●	●			
32	155.228	1269 339 048		Flange (GPA)	1					●			
33	101.140	1272 339 009	000 262 6002	Shaft 34 T (GPA)	1		(x)			●			
33	101.141	1272 339 008	000 262 5302	Shaft (GPA)	1		(S)			●			
34	154.368	1272 339 003	000 262 2223	Guide sleeve	1					●			
35	130.695	0635 416 273	005412 520217	Bearing D.85x150x28	1					●			
36	190.400	1272 237 008	000 260 1161	Planet Carrier (GPA)	1		(x)			●			
36	190.401	1272 237 007	000 260 1061	Planet Carrier (GPA)	1		(S)			●			
37	298.031	1272 298 927	000 262 0206	Repair kit (7 pcs.)	1		(x)			●			
38	298.032	1272 298 926	000 262 0106	Repair kit (5 pcs.)	1		(S)			●			
39	145.883	1272 339 007	000 262 2410	Gear 33 T (GPA)	1		(S)			●			
40	103.193	1272 338 021	000 262 5202	Shaft (GPA)	1					●			
41	130.696	0635 373 008		Bearing D.60x110x29,75	1					●			
42	145.884	1272 336 025	000 264 2221	Gear (GPA)	1					●			

Notes

(x - S) Different versions.To be coupled together. DO NO MIX

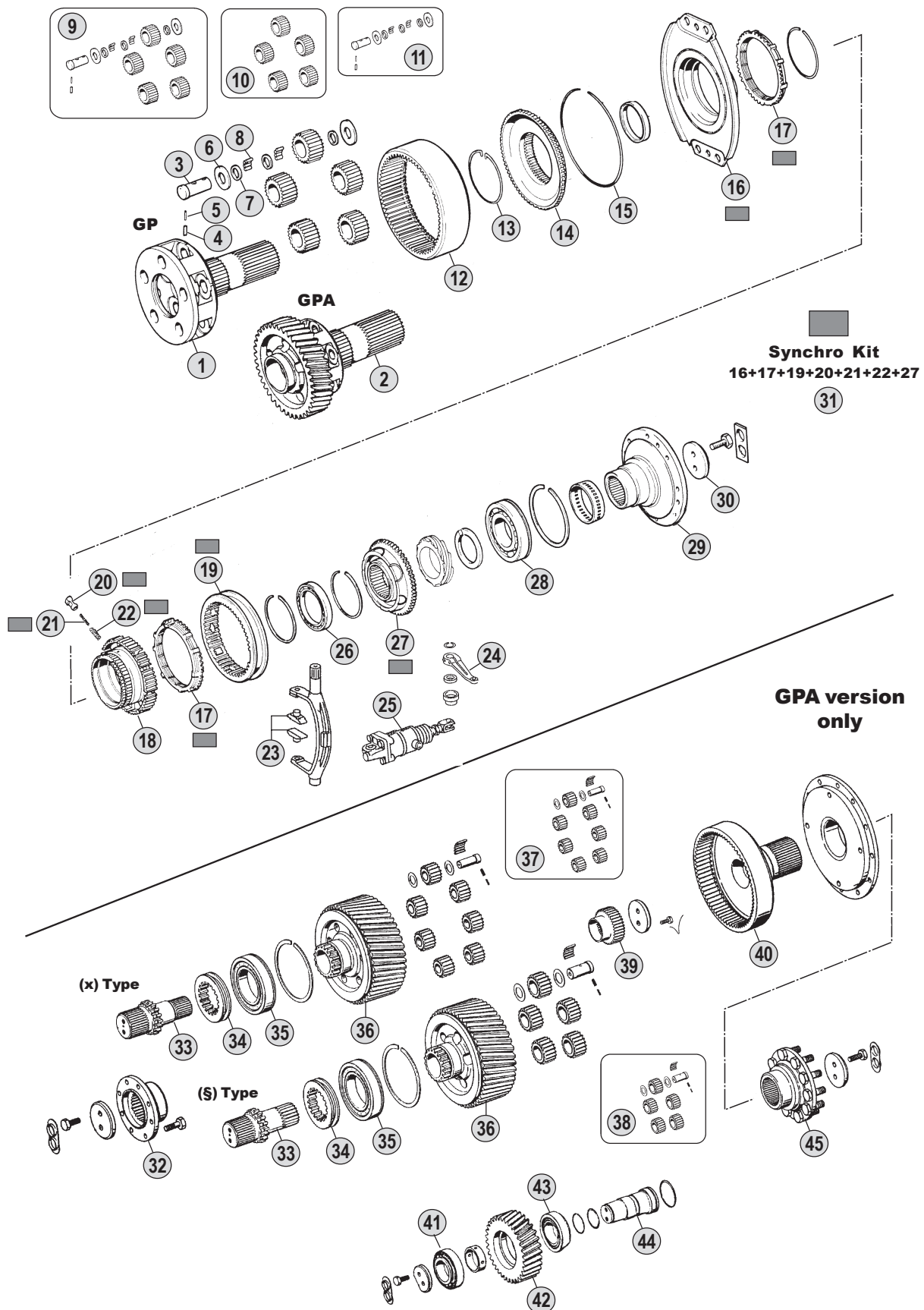
Date

05 / 2006

Table

0070 / c

All original equipment manufacturers numbers, symbols, pictures, models and description used in this catalogue are for reference only, and it is not implied that any part listed is the product of these manufactures.
Tutti i nostri particolari non sono originali ma con essi intercambiabili. I riferimenti originali, le figure, i modelli sono esposti a semplice titolo indicativo. La nostra produzione riporta il nostro marchio.

Suitable To : **ZF****5K/S90-91 GP/GPA** and **5S92GP**

All original equipment manufacturers' numbers, symbols, pictures, models and description used in this catalogue are for reference only, and it is not implied that any part listed is the product of these manufacturers. Tutti i nostri particolari non sono originali ma con essi intercambiabili. I riferimenti originali, le figure, i modelli sono esposti a semplice titolo indicativo. La nostra produzione riporta il nostro marchio.

Ratios

5K/S 90-91 GP	13,00-1,00
5S92GP	13,01-1,00
5K/S 90-91 GPA	13,32-1,02

suitable to :

Z.F.

Old Range

GV90/1

5K110 GP

5K110 + GV90/1

5K110 GPA

5K110GPA+GV90/1

5S110 GP

5S110 + GV90/1

5S110 GPA

5S110GPA+GV90/1

(1269 xxx xxx)

OLD RANGE
5K/S 110

Suitable To : **ZF**

GV90/1 For 5K/S 110 GP/GPA

Kits

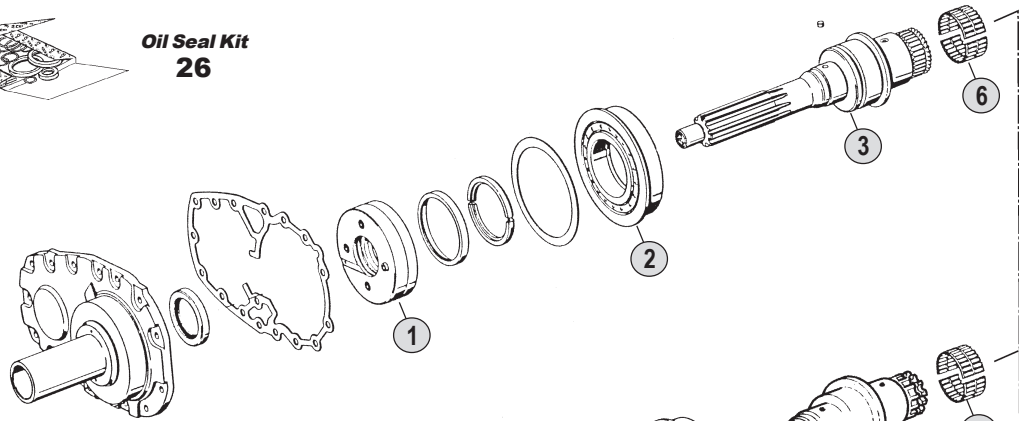


**Gasket Kit
27**

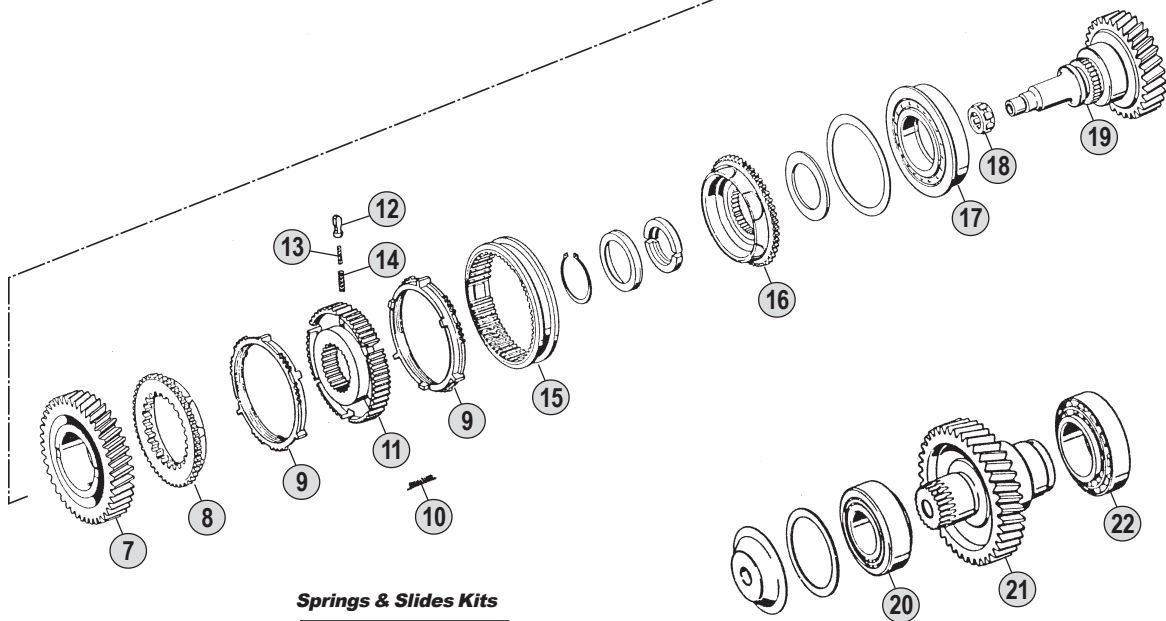
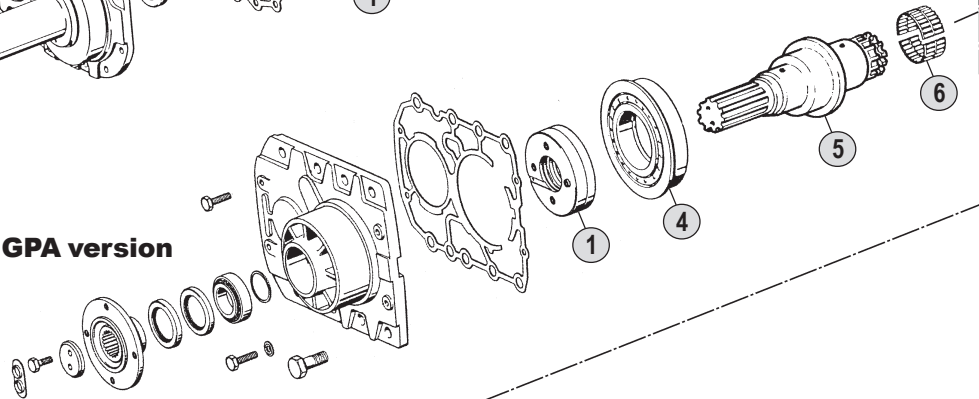


**Oil Seal Kit
26**

GP version



GPA version



Springs & Slides Kits

x 3	x 6	x 9
x 3	x 6	x 9
x 3	x 6	x 9
Kit 23	Kit 24	Kit 25

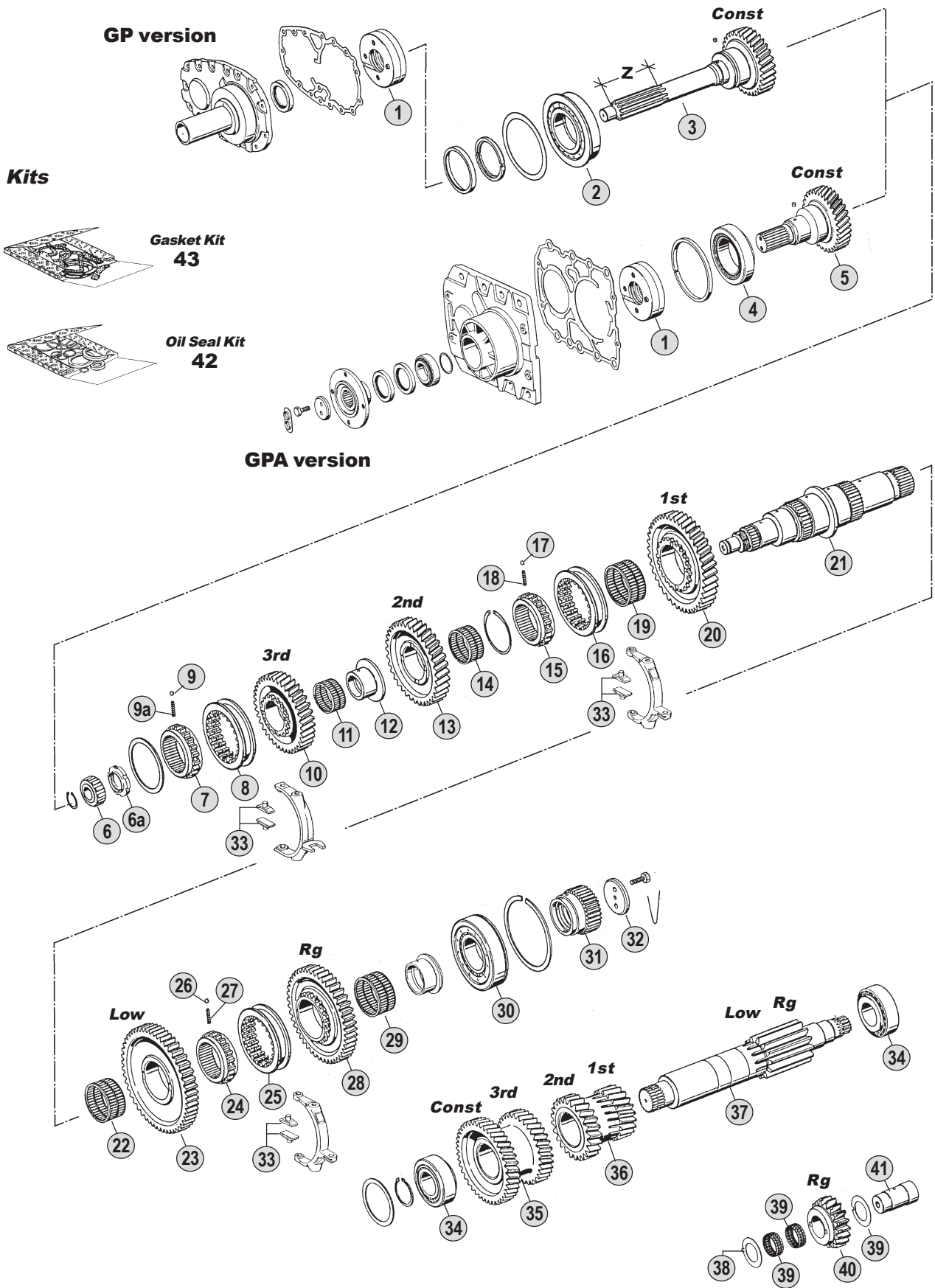
All original equipment manufacturers' numbers, symbols, models and description used in this catalogue are for reference only, and it is not implied that any part listed is the product of these manufactures. Tutti i nostri particolari non sono originali ma con essi intercambiabili. I riferimenti originali, le figure, i modelli sono esposti a semplice titolo indicativo. La nostra produzione riporta il nostro marchio.

Ratios

GV90/1 5K/S 110 GP : 13,10 - 0,860

GV90/1 5K/S 110 GPA : 13,40 - 0,870

Suitable To : **ZF 5K110GP/GPA** and **5K110GP/GPA+GV90/1**



All original equipment manufacturers' numbers, symbols, pictures, models and description used in this catalogue are for reference only, and it is not implied that any part listed is the product of these manufactures. Tutti i nostri particolari non sono originali ma con essi intercambiabili. I riferimenti originali, le figure, i modelli sono esposti a semplice titolo indicativo. La nostra produzione riporta il nostro marchio.

Ratios

5K110GP	13,10-1,00
5K110GP+GV90/1	13,10-0,86
5K110GPA	13,40-1,02
5K110GPA+GV90/1	13,40-0,87



O.E.M. Reference

Fig.	CEI no.	O.E.M. Reference		Description	Q.ty	Note	Ratio				
		ZF no.	MB no.					5K110GP	5K110GP+GV90/1	5K110GPA	5K110GPA+GV90/1
1	280.303	1269 202 104	000 260 1090	Oil Pump	1			●	●		
1	280.348	1295 202 041	000 260 1290	Oil Pump	1	Can Repl. 1269 202 104		●	●		
2	130.697	0750 118 129	007 981 0301	Bearing D.84,9x150x27,5	1			●			
3	102.129	1269 298 908	000 262 6602	Input Shaft 34 T	1	Z=61 mm		●			
3	102.385	1269 298 902		Input Shaft 34 T	1	Z=85 mm		●			
3	102.135	1269 298 938	000 260 1720	Input Shaft 34 T	1	Z=115 mm		●			
3	190.185	1269 202 913	000 260 1120	Input Shaft 34 T	1	Z=116 mm		●			
4	130.698	0750 117 078	010 981 1501	Bearing D.85x150x30,50	1				●		
5	102.386	1269 298 939		Input Shaft 34 T	1				●		
6	137.087	0750 118 019	004 981 5801	Roller Cage D.30x60x26	1			●	●	●	●
6A	187.343	0737 502 152	000 990 1360	Grooved Nut M45x1,5	1			●	●	●	●
7	157.101	1269 304 018	000 262 1127	Synchronizer Hub	1			●	●	●	●
8	154.090	1269 304 069	000 262 1523	Sliding Sleeve	1			●	●	●	●
9	171.014	0635 460 010	002 981 5685	Ball D.6	3			●	●	●	●
9A	156.150	1203 321 009	002 993 1801	Spring De.5,50x12	3			●	●	●	●
10	145.243	1269 304 139	000 262 1513	Gear 3rd Speed 34 T	1			●	●	●	●
11	137.077	0735 320 396	008 981 1010	Needle bearing D.62x70x36,5	1			●	●	●	●
12	117.153	1269 304 003	000 262 0350	Bushing D.51x62x94	1			●	●	●	●
13	145.244	1269 304 131	000 262 1112	Gear 2nd Speed 37 T	1			●	●	●	●
14	137.078	0735 320 493	008 981 0910	Needle Bearing D.70x78x36,50	1			●	●	●	●
15	155.136	1269 304 016	000 262 1027	Synchronizer Hub	1			●	●	●	●
16	154.095	1269 304 017	000 262 1423	Sliding Sleeve	1			●	●	●	●
17	171.014	0635 460 010	002 981 5685	Ball D.6	3			●	●	●	●
18	156.124	0732 040 497	343 264 0993	Spring De.6x7	3			●	●	●	●
19	137.079	0735 320 371	005 981 8710	Needle Bearing D.82x90x37	1			●	●	●	●
20	145.245	1269 304 132	000 262 2511	Gear 1st Speed 42 T	1			●	●	●	●
21	103.065	1269 304 061	000 262 0905	Main Shaft	1			●	●		
21	103.194	1269 304 060	000 262 1005	Main Shaft (GPA)	1					●	●
22	137.079	0735 320 371	005 981 8710	Needle Bearing D.82x90x37	1			●	●	●	●
23	145.246	1269 304 072	000 262 1411	Gear Low Speed 51 T	1			●	●	●	●
24	157.081	1269 304 071	000 262 0927	Synchronizer Hub	1			●	●	●	●
25	154.056	1250 304 233	000 262 1023	Sliding Sleeve	1			●	●	●	●
26	171.014	0635 460 010	002 981 5685	Ball D.6	3			●	●	●	●
27	156.124	0732 040 497	343 264 0993	Spring De.6x7	3			●	●	●	●
28	145.247	1269 304 068	000 262 1511	Reverse Gear 45 T	1			●	●	●	●
29	137.079	0735 320 371	005 981 8710	Needle Bearing D.82x90x37	1			●	●	●	●
30	130.699	0750 118 081	005 981 8701	Bearing D.70x150x35	1			●	●	●	●
31	157.082	1286 304 022	000 262 0910	Sun Gear 35 T	1			●	●	●	●
32	188.212	1269 304 070	000 262 2362	Stop Washer	1			●	●	●	●
33	141.068	1295 306 132	000 268 0849	Bronze Slide	2			●	●	●	●
34	130.242	0750 117 010	001 980 8102	Bearing D.50,80x100x35	2			●	●	●	●
35	143.053	1269 303 053	000 263 0914	Double Gear 3rd/4th-30/41 T	1			●	●	●	●
36	143.054	1269 303 006	000 263 0413	Double Gear 1st/2nd-20/24 T	1			●	●	●	●
37	105.056	1269 303 041	000 263 1302	Countershaft 16 T	1			●	●	●	●
38	169.234	0730 150 064	343 263 0062	Thrust Washer	2			●	●	●	●

Notes

Date

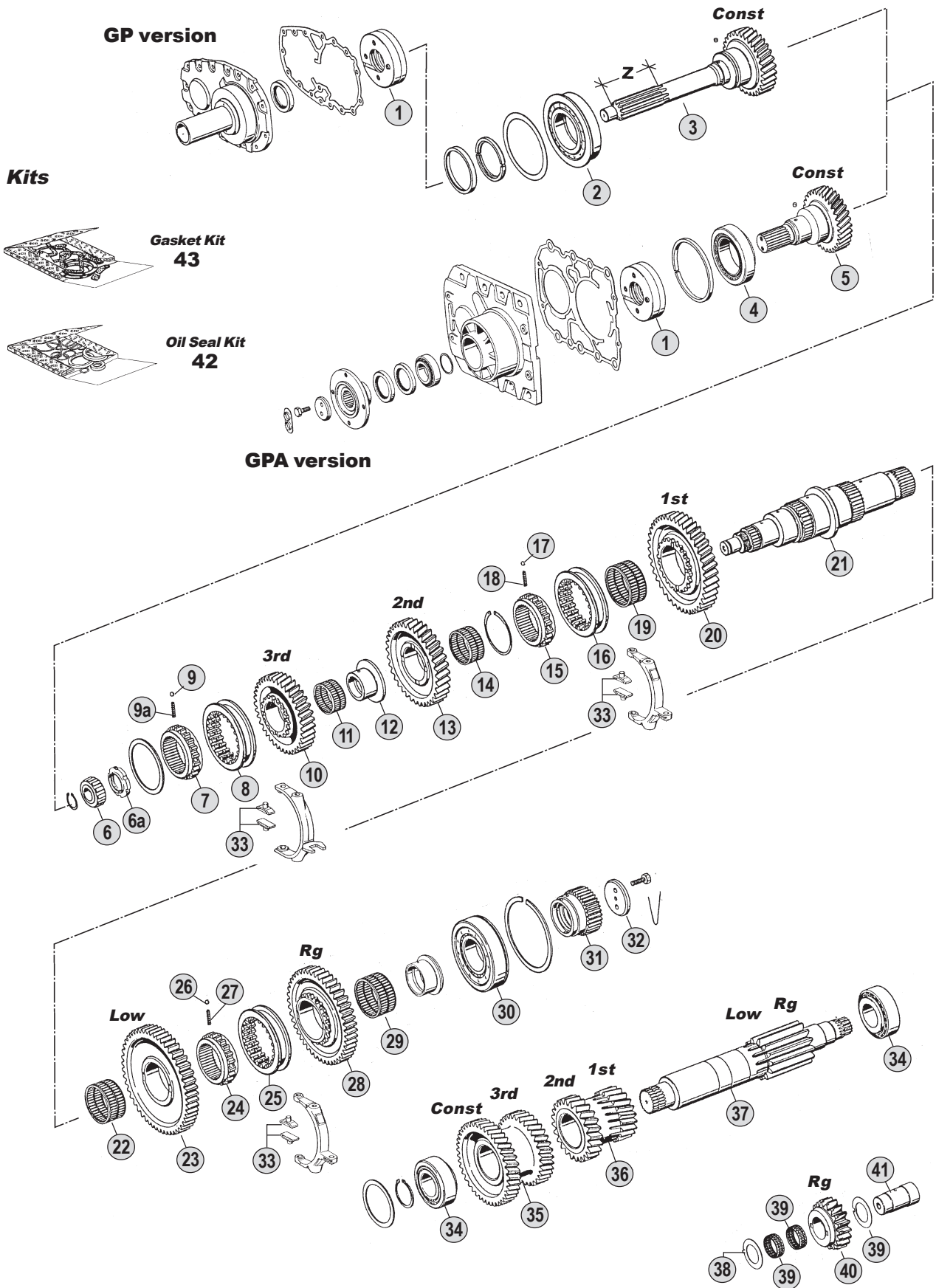
05 / 2006

Table

0080 / B

All original equipment manufacturers numbers, symbols, pictures, models and description used in this catalogue are for reference only, and it is not implied that any part listed is the product of these manufactures.
Tutti i nostri particolari non sono originali ma con essi intercambiabili. I riferimenti originali, le figure, i modelli sono esposti a semplice titolo indicativo. La nostra produzione riporta il nostro marchio.

Suitable To : **ZF 5K110GP/GPA** and **5K110GP/GPA+GV90/1**

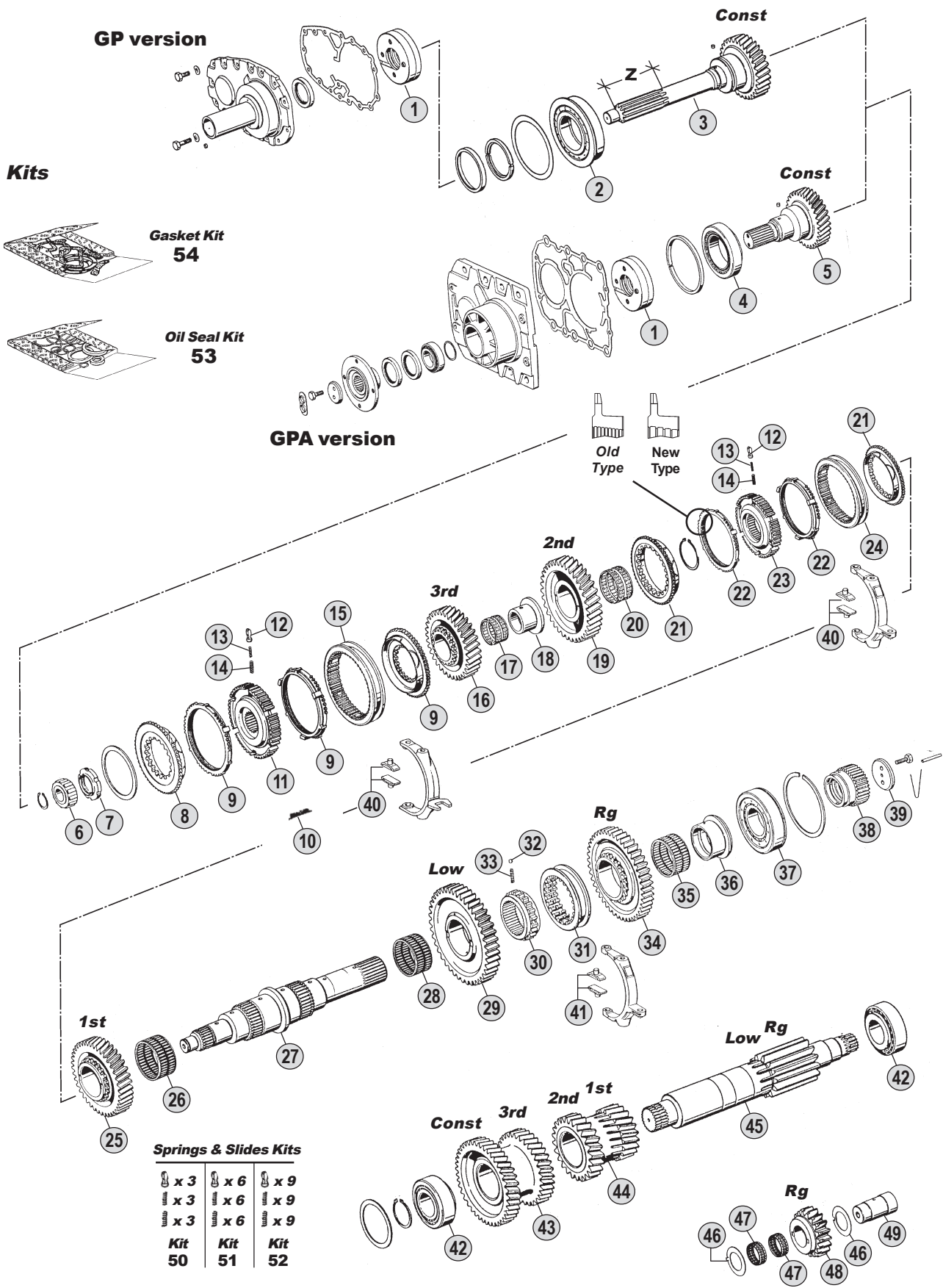


All original equipment manufacturers' numbers, symbols, pictures, models and description used in this catalogue are for reference only, and it is not implied that any part listed is the product of these manufactures. Tutti i nostri particolari non sono originali ma con essi intercambiabili. I riferimenti originali, le figure, i modelli sono esposti a semplice titolo indicativo. La nostra produzione riporta il nostro marchio.

Ratios

5K110GP	13,10-1,00
5K110GP+GV90/1	13,10-0,86
5K110GPA	13,40-1,02
5K110GPA+GV90/1	13,40-0,87

Suitable To: **ZF 5S110GP/GPA** and **5S110GP/GPA+GV90/1**



All original equipment manufacturers' numbers, symbols, models and description used in this catalogue are for reference only, and it is not implied that any part listed is the product of these manufactures. Tutti i nostri particolari non sono originali ma con essi intercambiabili. I riferimenti originali, le figure, i modelli sono esposti a semplice titolo indicativo. La nostra produzione riporta il nostro marchio.

Ratios

5S110GP	13,10-1,00
5S110GP+GV90/1	13,10-0,86
5S110GPA	13,40-1,02
5S110GPA+GV90/1	13,40-0,87

Fig.	CEI no.	O.E.M. Reference		Description	Q.ty	Note	Ratio				
		ZF no.	MB no.					5S110GP	5S110GP+GV90/1	5S110GPA	5S110GPA+GV90/1
1	280.303	1269 202 104	000 260 1090	Oil Pump	1			●	●		
1	280.348	1295 202 041	000 260 1290	Oil Pump	1	Can Repl. 1295 202 041		●	●		
2	130.697	0750 118 129	007 981 0301	Bearing D.84,9x150x27,5	1			●			
3	102.129	1269 298 908	000 262 6602	Input Shaft 34 T	1	Z=61 mm		●			
3	102.385	1269 298 902		Input Shaft 34 T	1	Z=85 mm		●			
2	102.135	1269 298 938	000 260 1720	Input Shaft 34 T	1	Z=115 mm		●			
3	190.185	1269 202 913	000 260 1120	Input Shaft 34 T	1	Z=116 mm		●			
4	130.698	0750 117 078	010 981 1501	Bearing D.85x150x30,50	1				●		
5	102.386	1269 298 939		Input Shaft 34 T	1				●		
6	137.087	0750 118 019	004 981 5801	Roller Cage D.30x60x26	1			●	●	●	●
7	187.343	0737 502 152	000 990 1360	Grooved Nut M45x1,5	1			●	●	●	●
8	109.021	1269 304 137	000 262 1736	Synchronizer Cone	1			●	●	●	●
9	119.042	1272 304 076	000 262 1334	Synchronizer Ring	2	Old Type		●	●	●	●
9	119.163	1272 304 166	000 262 8834	Synchronizer Ring	2	New Type		●	●	●	●
9	119.054	1250 304 226	336 262 0734	Synchronizer Ring	2	Oldest(*)		●	●	●	●
10	156.025	0732 020 030	336 264 0893	Spring L=31,50	3	Oldest		●	●	●	●
11	157.079	1269 304 128	000 262 2735	Synchronizer hub	1			●	●	●	●
12	160.116	1240 304 278	336 264 0239	Pressure Piece	3			●	●	●	●
13	156.036	0732 040 386	336 264 0793	Inner Spring De.3x34	3			●	●	●	●
14	156.037	0732 040 385	336 264 0693	Outer Spring De.6x34	3			●	●	●	●
15	154.032	1272 304 077	000 262 1923	Sliding Sleeve	1			●	●	●	●
16	145.243	1269 304 139	000 262 1513	Gear 3rd Speed 34 T	1			●	●	●	●
17	137.077	0735 320 396	008 981 1010	Needle bearing D.62x70x36,5	1			●	●	●	●
18	117.153	1269 304 003	000 262 0350	Bushing D.51x62x94	1			●	●	●	●
19	145.244	1269 304 131	000 262 1112	Gear 2nd Speed 37 T	1			●	●	●	●
20	137.078	0735 320 493	008 981 0910	Needle Bearing D.70x78x36,50	1			●	●	●	●
21	109.022	1250 304 351	000 262 0340	Synchronizer Cone	2			●	●	●	●
22	119.042	1272 304 076	000 262 1334	Synchronizer Ring	2	Old Type		●	●	●	●
22	119.163	1272 304 166	000 262 8834	Synchronizer Ring	2	Nnew Type		●	●	●	●
22	119.054	1250 304 226	336 262 0734	Synchronizer Ring	2	Oldest(*)		●	●	●	●
23	157.080	1269 304 129	000 262 2635	Synchronizer hub	1			●	●	●	●
24	154.033	1240 304 375	000 262 0823	Sliding Sleeve	1			●	●	●	●
25	145.245	1269 304 132	000 262 2511	Gear 1st Speed 42 T	1			●	●	●	●
26	137.079	0735 320 371	005 981 8710	Needle Bearing D.82x90x37	1			●	●	●	●
27	103.065	1269 304 061	000 262 0905	Main Shaft	1			●	●		
27	103.194	1269 304 060	000 262 1005	Main Shaft (GPA)	1				●	●	
28	137.079	0735 320 371	005 981 8710	Needle Bearing D.82x90x37	1			●	●	●	●
29	145.246	1269 304 072	000 262 1411	Gear Low Speed 51 T	1			●	●	●	●
30	157.081	1269 304 071	000 262 0927	Synchronizer Hub	1			●	●	●	●
31	154.056	1250 304 233	000 262 1023	Sliding Sleeve	1			●	●	●	●
32	171.014	0635 460 010	002 981 5685	Ball D.6	3			●	●	●	●
33	156.124	0732 040 497	343 264 0993	Spring De.6x7	3			●	●	●	●
34	145.247	1269 304 068	000 262 1511	Reverse Gear 45 T	1			●	●	●	●
35	137.079	0735 320 371	005 981 8710	Needle Bearing D.82x90x37	1			●	●	●	●
36	117.154	1269 304 004	000 262 0450	Bushing	1			●	●	●	●

Notes

(*) Old Version with 3 spring holes. To be used with spring 156.025 (fig. 10)

Date

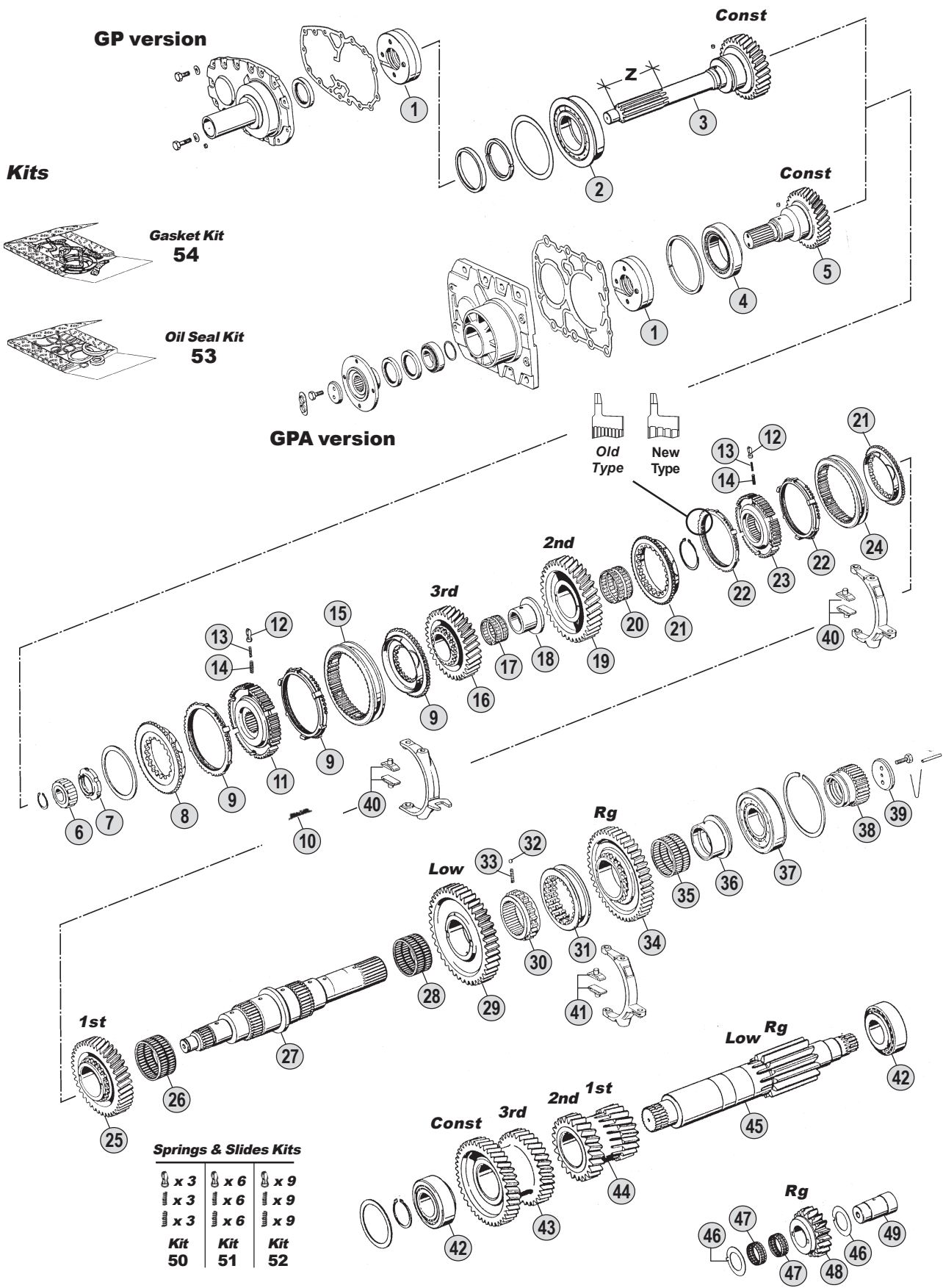
05 / 2006

Table

0080 / c

All original equipment manufacturers numbers, symbols, pictures, models and description used in this catalogue are for reference only, and it is not implied that any part listed is the product of these manufactures. Tutti i nostri particolari non sono originali ma con essi intercambiabili. I riferimenti originali, le figure, i modelli sono esposti a semplice titolo indicativo. La nostra produzione riporta il nostro marchio.

Suitable To : **ZF 5S110GP/GPA** and **5S110GP/GPA+GV90/1**



All original equipment manufacturers' numbers, symbols, models and description used in this catalogue are for reference only, and it is not implied that any part listed is the product of these manufactures. Tutti i nostri particolari non sono originali ma con essi intercambiabili. I riferimenti originali, le figure, i modelli sono esposti a semplice titolo indicativo. La nostra produzione riporta il nostro marchio.

Ratios

5S110GP	13,10-1,00
5S110GP+GV90/1	13,10-0,86
5S110GPA	13,40-1,02
5S110GPA+GV90/1	13,40-0,87

Fig.	CEI no.	O.E.M. Reference		Description	Q.ty	Note	Ratio						
		ZF no.	MB no.					5S110GP	5S110GP+GI/90/1	5S110GPA	5S110GPA+GI/90/1		
37	130.699	0750 118 081	005 981 8701	Bearing D.70x150x35	1			●	●	●	●		
38	157.082	1286 304 022	000 262 0910	Sun Gear 35 T	1			●	●	●	●		
39	188.212	1269 304 070	000 262 2362	Stop Washer	1			●	●	●	●		
40	141.061	1272 334 003	000 268 0149	Bronze Slide	2			●	●	●	●		
41	141.068	1295 306 132	000 268 0849	Bronze Slide	2			●	●	●	●		
42	130.242	0750 117 010	001 980 8102	Bearing D.50,80x100x35	2			●	●	●	●		
43	143.053	1269 303 053	000 263 0914	Double Gear 3rd/4th-30/41 T	1			●	●	●	●		
44	143.054	1269 303 006	000 263 0413	Double Gear 1st/2nd-20/24 T	1			●	●	●	●		
45	105.056	1269 303 041	000 263 1302	Countershaft 16 T	1			●	●	●	●		
46	169.234	0730 150 064	343 263 0062	Thrust Washer	2			●	●	●	●		
47	137.007	0750 115 011	010 981 1010	Needle Cage D.45x53x21	2			●	●	●	●		
48	147.084	1269 305 005	000 263 1031	Reverse Gear 21 T	1			●	●	●	●		
49	107.088	1269 305 003	000 263 0530	Reverse Shaft	1			●	●	●	●		
50	198.339	1268 298 938		Spring Slide Set	1			●	●	●	●		
51	198.564	CEI 198564		Spring Slide Set	1			●	●	●	●		
52	198.842	1295 298 933		Spring Slide Set	1			●	●	●	●		
53	198.421	1269 298 928		Oil Seal Kit	1			●	●	●	●		
54	198.422	1269 298 933		Gasket Kit	1			●	●	●	●		

All original equipment manufacturers numbers, symbols, pictures, models and description used in this catalogue are for reference only, and it is not implied that any part listed is the product of these manufactures.
Tutti i nostri particolari non sono originali ma con essi intercambiabili. I riferimenti originali, le figure, i modelli sono esposti a semplice titolo indicativo. La nostra produzione riporta il nostro marchio.

Notes

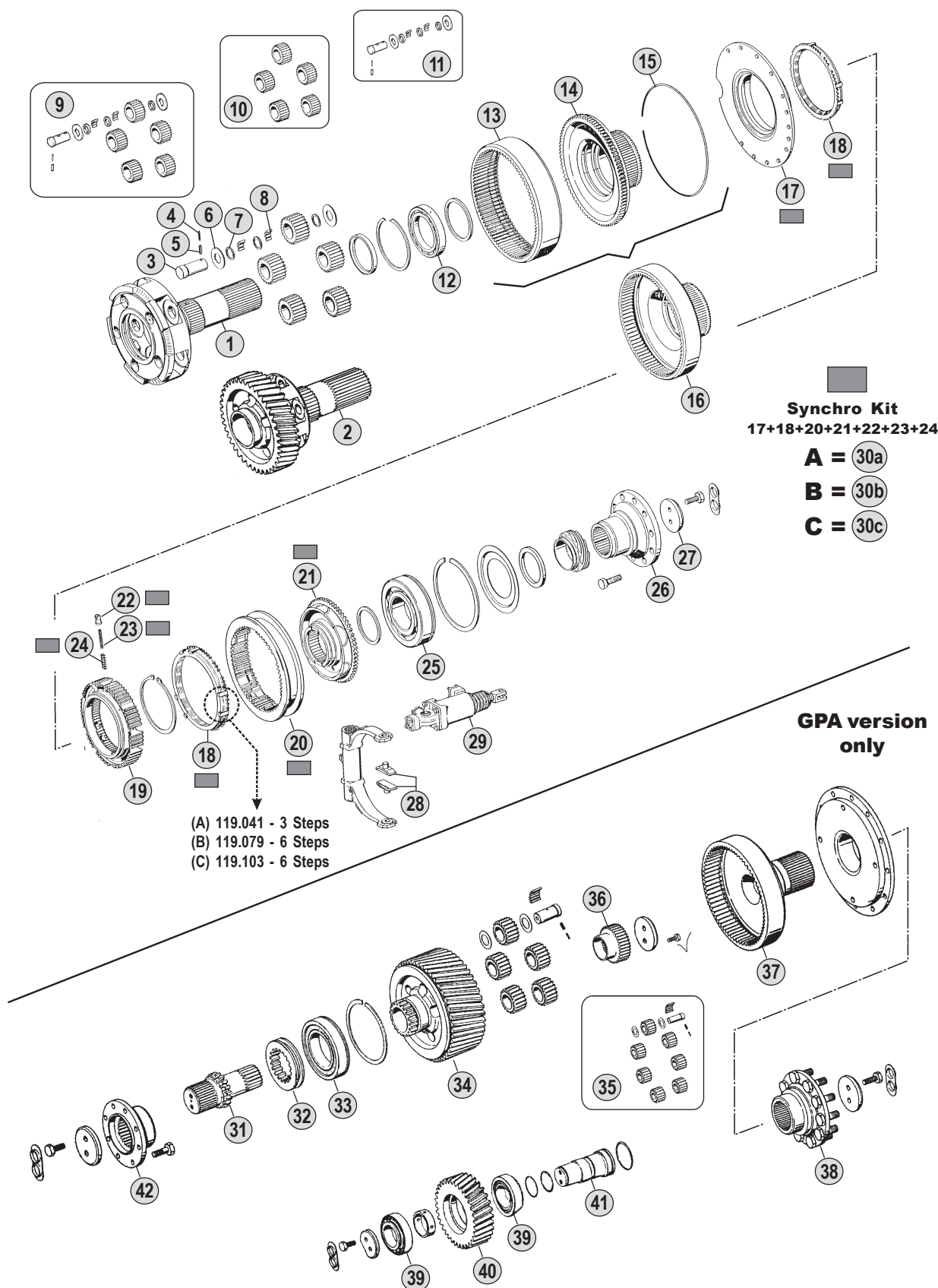
(*) Old Version with 3 spring holes. To be used with spring 156.025 (fig. 10)

Date

05 / 2006

Table

0080 / c

Suitable To : **ZF****5K/S110GP/GPA and 5K/S110GP/GPA****Ratios**

5K/S 110GP	13,10-1,00
5K/S 110GP+GV90/1	13,10-0,86
5K/S 110GPA	13,40-1,02
5K/S 110GPA+GV90/1	13,40-0,87

Fig.	CEI no.	O.E.M. Reference		Description	Q.ty	Note	Ratio						
		ZF no.	MB no.					5K/S110GP	5K/S110GP+GV90/1	5K/S110GPA	5K/S110GPA+GV90/1		
1	190.402	1269 232 041	000 260 3961	Planet Carrier	1			●	●				
2	190.403	1269 232 037	000 260 2861	Planet Carrier	1					●	●		
3	107.089	1269 332 036	000 264 1618	Pin	5			●	●				
3	107.208	1269 332 050	000 264 2918	Pin	5					●	●		
4	160.152	0631 329 016	001 481 003 021	Lock Pin D.3x20	5			●	●	●	●		
5	160.151	0631 329 048	001 481 005 026	Lock Pin D.5x20	5			●	●	●	●		
6	169.408	0501 305 887	003 264 2252	Thrust Washer D.29x57,5x1,5	10			●	●	●	●		
7	169.410	0730 103 846	003 264 2052	Spacer Ring D.29x39x1,00	15			●	●	●	●		
8	171.016	0735 470 057	001 981 1187	Roller D.6x14,75	180			●	●	●	●		
9	198.414	1269 298 958	000 262 0606	Planetary Gear Set (Complete)	1			●	●				
10	198.371	1286 298 902	000 260 1197	Planetary Gear Set (5 pcs)	1			●	●	●	●		
11	198.447	CEI 198447		Overhaul Planetary Gear Kit	1	Complete (For 5 series)		●	●				
12	130.700	0635 330 050		Bearing D.75x115x13	1			●	●	●	●		
13	123.163	1269 332 055	000 264 2821	Crown Gear 85 T	1			●	●	●	●		
14	150.113	1269 332 054	000 262 0325	Carrier Hub 85 T	1			●	●	●	●		
15	111.175	0730 505 053	000 264 0673	Locking Wire 2,50	1			●	●	●	●		
16	123.145	1269 332 020	000 264 1721	Crown Gear 85 T	1	Old Type		●	●	●	●		
17	135.060	1269 233 010	000 262 2037	Synchronizer Flange	1		(AB)	●	●	●	●		
17	135.111	1269 233 012	000 262 3340	Synchronizer Flange	1		(C)	●	●	●	●		
18	119.041	1269 328 254	000 262 0734	Synchronizer Ring	2		(A)	●	●	●	●		
18	119.079	1269 328 289	000 262 2234	Synchronizer Ring	2		(B)	●	●	●	●		
18	119.103	1269 328 291	000 262 3534	Synchronizer Ring	2		(C)	●	●	●	●		
19	157.115	1269 333 057	000 263 0835	Synchronizer Hub	1		(ABC)	●	●	●	●		
20	154.031	1269 333 047	000 262 4123	Sliding Sleeve	1		(ABC)	●	●	●	●		
21	109.020	1269 333 048	000 262 1537	Synchronizer cone	1		(AB)	●	●	●	●		
21	109.120	1269 333 056	000 262 3240	Synchronizer cone	1		(C)	●	●	●	●		
22	160.126	1269 328 234	000 263 0140	Pressure Piece	6			●	●	●	●		
23	156.125	0732 040 929	003 993 9201	Spring D. 6x36	6			●	●	●	●		
24	156.120	0732 040 736	002 993 7501	Spring D.10x36	6			●	●	●	●		
25	130.264	0635 333 049	000 981 9025	Bearing D.70x150x35	1			●	●	●	●		
26	155.132	1269 338 028	000 264 0845	Output Flange D.165 (8 holes)	1			●	●				
26	155.167	1269 338 026		Output Flange D.180 (8 holes)	1			●	●				
26	155.113	1269 338 020	000 264 0945	Output Flange D.180 (10 holes)	1			●	●				
27	188.070	1240 304 117	343 262 0062	Stop Washer	1			●	●				
28	141.088	1295 334 027	000 268 0549	Bronze Slide	2			●	●	●	●		
29	280.630	0750 132 019	000 260 4663	Cylinder	1			●	●	●	●		
29	280.366	0750 132 009	000 260 5363	Cylinder	1			●	●	●	●		
30A	198.966	CEI 198966		Synchronizer Kit	1		(A)	●	●	●	●		
30B	198.515	1269 298 979		Synchronizer Kit	1		(B)	●	●	●	●		
30C	198.717	1269 298 980		Synchronizer Kit	1		(C)	●	●	●	●		
31	101.142	1269 339 024	000 262 5802	Shaft (GPA)	1		(x)			●	●		
31	101.143	1269 339 025	000 262 5902	Shaft (GPA)	1		(s)			●	●		
32	154.369	1269 339 003	000 262 1323	Sliding sleeve	1					●	●		
33	130.701	0635 332 132	000 625 536 219	Bearing D.95x170x32	1					●	●		
34	190.404	1269 237 013	000 260 0761	Planet Carrier (GPA)	1		(x)			●	●		

Notes

- (A) 1st Generation. To be coupled together.
 (B) 2ns Generation. To be coupled together.
 (C) 3rd Generation. Reinforced. To be coupled together. **Do no MIX**
 (x - s) Different versions. To be coupled together. **DO NO MIX**

Date

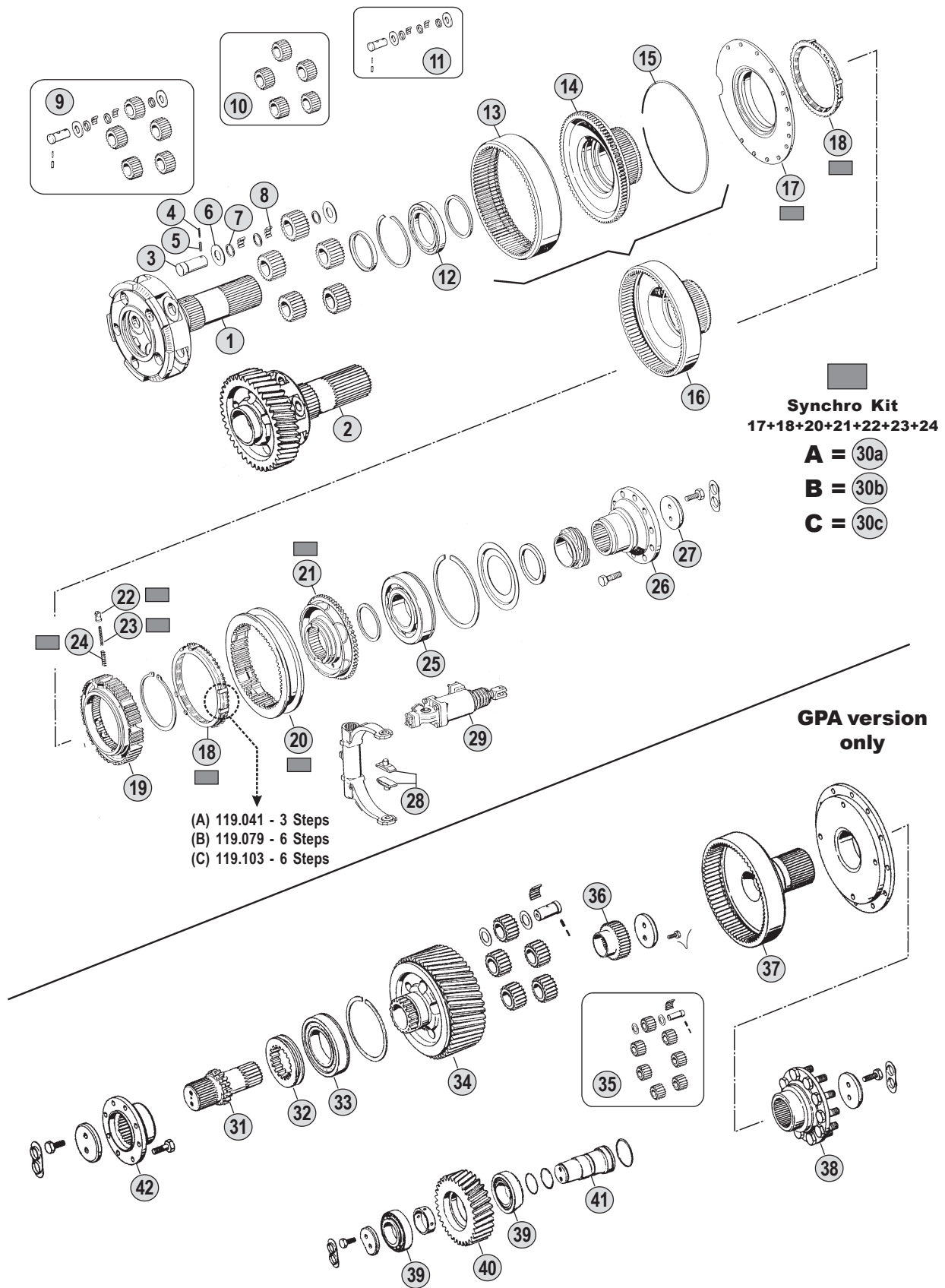
05 / 2006

Table

0080 / D

Suitable To : **ZF**

5K/S110GP/GPA and 5K/S110GP/GPA



Synchro Kit
17+18+20+21+22+23+24
A = 30a
B = 30b
C = 30c

(A) 119.041 - 3 Steps
 (B) 119.079 - 6 Steps
 (C) 119.103 - 6 Steps

GPA version only

All original equipment manufacturers' numbers, symbols, pictures, models and description used in this catalogue are for reference only, and it is not implied that any part listed is the product of these manufactures. Tutti i nostri particolari non sono originali ma essi intercambiabili. I riferimenti originali, le figure, i modelli sono esposti a semplice titolo indicativo. La nostra produzione riporta il nostro marchio.

Ratios

5K/S 110GP	13,10-1,00
5K/S 110GP+GV90/1	13,10-0,86
5K/S 110GPA	13,40-1,02
5K/S 110GPA+GV90/1	13,40-0,87



suitable to :

Z.F.

Old Range

GV90/1

5S111 GP
5S111 + GV90/1
5S111 GPA

(1292 xxx xxx)

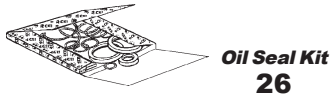
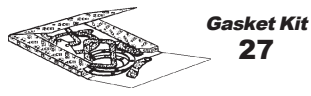
All original equipment manufacturers numbers, symbols, pictures, models and description used in this catalogue are for reference only, and it is not implied that any part listed is the product of these manufactures.
 Tutti i nostri particolari non sono originali ma con essi intercambiabili. I riferimenti originali, le figure, i modelli sono esposti a semplice titolo indicativo. La nostra produzione riporta il nostro marchio.

OLD RANGE
 5S 111

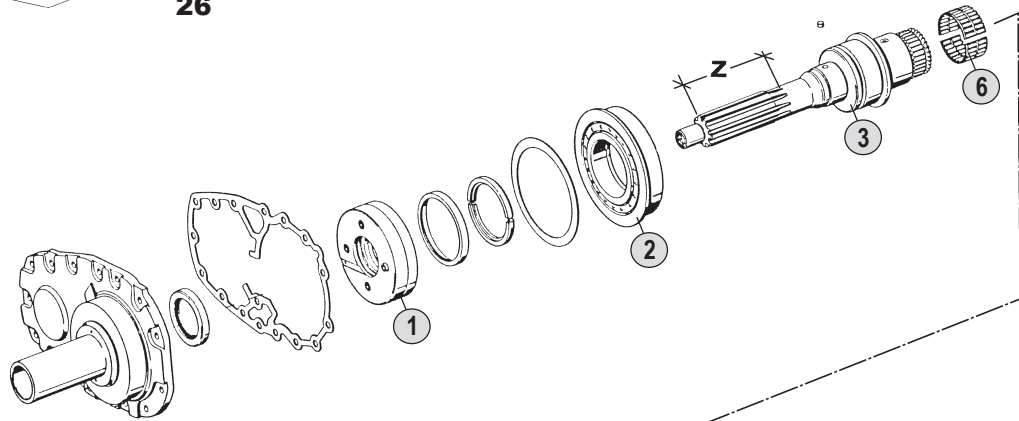
Suitable To : **ZF**

GV90/1 For 5S 111 GP

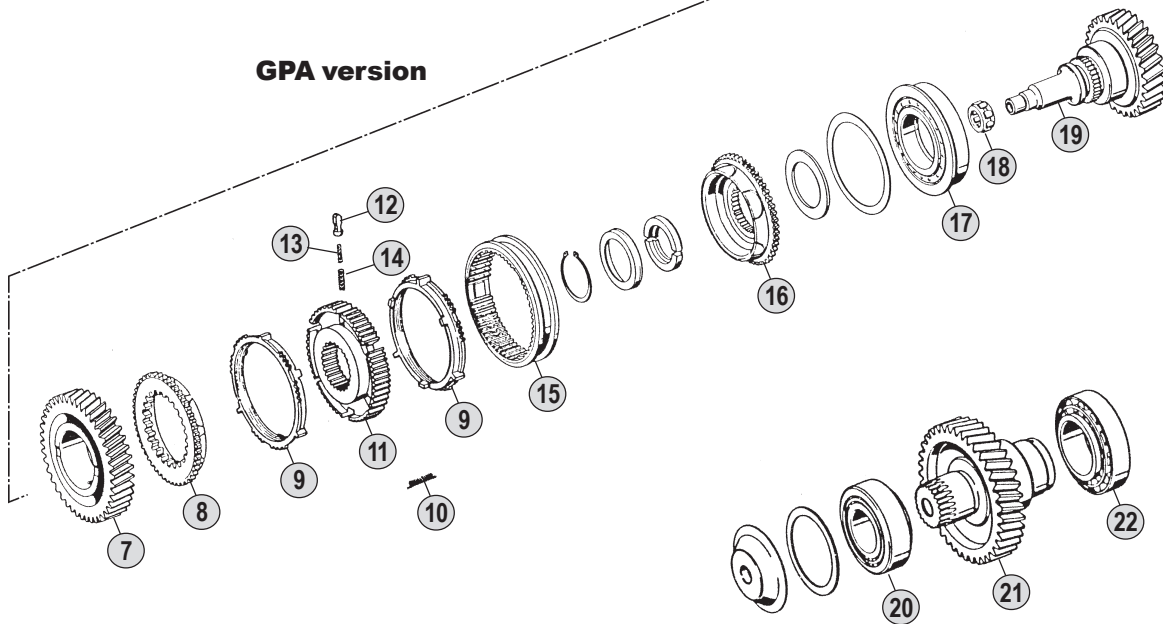
Kits



GP version



GPA version



Springs & Slides Kits

x 3	x 6	x 9
x 3	x 6	x 9
x 3	x 6	x 9
Kit 23	Kit 24	Kit 25

All original equipment manufacturers' numbers, symbols, pictures, models and description used in this catalogue are for reference only, and it is not implied that any part listed is the product of these manufactures. Tutti i nostri particolari non sono originali ma con essi intercambiabili. I riferimenti originali, le figure, i modelli sono esposti a semplice titolo indicativo. La nostra produzione riporta il nostro marchio.

Ratios

GV90/1 5S 111 GP : 13,10 - 0,860

GV90/1 With GP

Fig.	O.E.M. Reference		Description	Q.ty	Note	Ratio							
	CEI no.	ZF no.					MB no.						
1	280.303	1269 202 104	000 260 1090	Oil Pump	1		●						
1	280.348	1295 202 041	000 260 1290	Oil Pump	1	Can Repl. 1269 202 104	●						
2	130.697	0750 118 129	007 981 0301	Bearing D.84,9x150x27,5	1		●						
3	190.150	1269 212 006	000 260 0920	Input Shaft	1	Z=115 mm	●						
3	190.197	1285 212 005	000 262 0101	Input shaft	1	Z=128 mm	●						
6	137.108	0750 115 089	011 981 1210	Needle Bearing D.68x74x45	1		●						
7	145.255	1269 312 005	000 262 1710	Gear 42 T	1		●						
8	109.037	1250 312 366	000 264 0846	Synchronizer Cone	1		●						
9	119.080	1250 304 417	000 262 1934	Synchronizer Ring	2		●						
9	119.069	1240 304 384	000 262 0434	Synchronizer Ring	2	Old(*)	●						
10	156.025	0732 020 030	336 264 0893	Spring L=31,50	3	Old	●						
11	155.090	1250 312 323	000 262 3635	Synchronizer Hub	1		●						
12	160.116	1240 304 278	336 264 0239	Pressure Piece	3		●						
13	156.036	0732 040 386	336 264 0793	Inner Spring De.3x34	3		●						
14	156.037	0732 040 385	336 264 0693	Outer Spring De.6x34	3		●						
15	154.064	1240 304 272	000 262 0623	Sliding Sleeve	1		●						
16	109.038	1250 312 364	000 264 0746	Synchronizer Cone	1		●						
17	130.697	0750 118 129	007 981 0301	Bearing D.84,9x150x27,5	1		●						
18	137.268	0735 358 032	002 981 3410	Needle Bearing D.22x38x19	1		●						
19	190.151	1269 298 909	000 264 2205	Intermed Shaft 34 T	1		●						
20	130.242	0750 117 010	001 980 8102	Bearing D.50,80x100x35	1		●						
21	146.186	1269 312 049	000 263 5110	Gear 43 T	1		●						
22		1269 298 951		Bearing D.66,6x112,7x30,1	1		●						
23	198.339	1268 298 938		Spring Slide Set	1		●						
24	198.564	CEI 198564		Spring Slide Set	1		●						
25	198.842	1295 298 933		Spring Slide Set	1		●						
26	198.421	1269 298 928		Oil Seal Kit	1		●						
27	198.422	1269 298 933		Gasket Kit	1		●						

Notes

(*) Old Version with 3 spring holes. To be used with spring 156.025 (fig. 10)

Date

05 / 2006

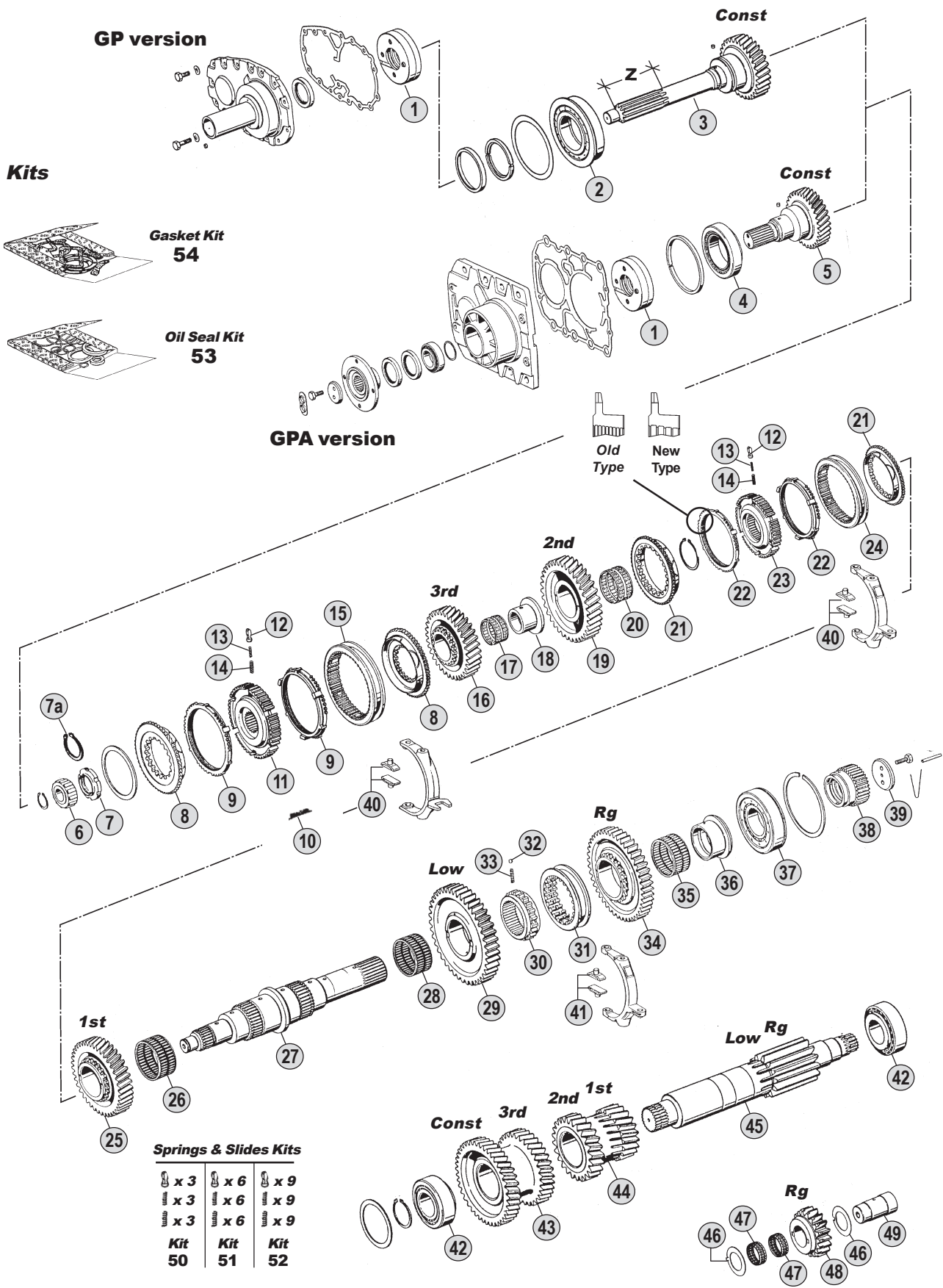
Table

0090 / A

All original equipment manufacturers numbers, symbols, pictures, models and description used in this catalogue are for reference only, and it is not implied that any part listed is the product of these manufactures.
Tutti i nostri particolari non sono originali ma con essi intercambiabili. I riferimenti originali, le figure, i modelli sono esposti a semplice titolo indicativo. La nostra produzione riporta il nostro marchio.

Suitable To: **ZF**

5S111GP/GPA and 5S111GP+GV90/1



All original equipment manufacturers' numbers, symbols, models and description used in this catalogue are for reference only, and it is not implied that any part listed is the product of these manufactures. Tutti i nostri particolari non sono originali ma con essi intercambiabili. I riferimenti originali, le figure, i modelli sono esposti a semplice titolo indicativo. La nostra produzione riporta il nostro marchio.

Ratios

5S111GP	13,10-1,00
5S111GP+GV90/1	13,10-0,85
5S111GPA	13,40-1,02

Fig.	CEI no.	O.E.M. Reference		Description	Q.ty	Note	Ratio							
		ZF no.	MB no.					5S111GP	5S111GP+GV00/1	5S111GPA				
1	280.303	1269 202 104	000 260 1090	Oil Pump	1			●	●	●				
1	280.348	1295 202 041	000 260 1290	Oil Pump	1	Can Repl. 1269 202 104		●	●	●				
2	130.697	0750 118 129	007 981 0301	Bearing D.84,9x150x27,5	1			●	●	●				
3	102.135	1269 298 938	000 260 1720	Input Shaft 34 T	1	Z=115 mm		●						
3	190.198	1269 298 942	000 260 1820	Input Shaft 34 T	1	Z=124 mm		●						
4	130.698	0750 117 078	010 981 1501	Bearing D.85x150x30,50	1				●					
5	102.386	1269 298 939		Input Shaft 34 T	1				●					
6	137.087	0750 118 019	004 981 5801	Roller Cage D.30x60x26	1			●	●	●				
7	187.343	0737 502 152	000 990 1360	Grooved Nut M45x1,5	1	Old Type		●	●	●				
7A		0630 501 118		Seeger rig 2,60 mm	1	New Type		●	●	●				
8	109.078	1269 304 196	000 262 1240	Synchronizer Cone	1			●	●	●				
9	119.042	1272 304 076	000 262 1334	Synchronizer Ring	2	Old Type		●	●	●				
9	119.163	1272 304 166	000 262 8834	Synchronizer Ring	1	New Type		●	●	●				
9	119.054	1250 304 226	336 262 0734	Synchronizer Ring	2	Oldest(*)		●	●	●				
10	156.025	0732 020 030	336 264 0893	Spring L=31,50	3	Oldest		●	●	●				
11	157.095	1292 304 041	000 262 3735	Synchronizer Hub	1			●	●	●				
12	160.116	1240 304 278	336 264 0239	Pressure Piece	3			●	●	●				
13	156.036	0732 040 386	336 264 0793	Inner Spring De.3x34	3			●	●	●				
14	156.037	0732 040 385	336 264 0693	Outer Spring De.6x34	3			●	●	●				
15	154.032	1272 304 077	000 262 1923	Sliding Sleeve	1			●	●	●				
16	145.272	1292 304 047	000 262 3413	Gear 3rd Speed 35 T	1			●	●	●				
17	137.107	0735 320 499	009 981 9010	Needle Bearing D.62x70x40	1			●	●	●				
18	117.231	1269 304 197	000 262 1750	Bushing D.51x62x94	1			●	●	●				
19	145.293	1292 304 046	000 262 2812	Gear 2nd Speed 38 T	1			●	●	●				
20	137.236	0735 320 465	009 981 9310	Needle bearing D.70x78x42.8	1			●	●	●				
21	109.022	1250 304 351	000 262 0340	Synchronizer Cone	2			●	●	●				
22	119.042	1272 304 076	000 262 1334	Synchronizer Ring	2	Old Type		●	●	●				
22	119.163	1272 304 166	000 262 8834	Synchronizer Ring	2	New Type		●	●	●				
22	119.054	1250 304 226	336 262 0734	Synchronizer Ring	2	Oldest(*)		●	●	●				
23	157.116	1292 304 052	000 262 3835	Synchronizer Hub	1			●	●	●				
24	154.033	1240 304 375	000 262 0823	Sliding Sleeve	1			●	●	●				
25	145.294	1292 304 045	000 262 5411	Gear 1st Speed 41 T	1			●	●	●				
26	137.084	0735 320 418	010 981 3510	Needle Cage D.82x90x49	1			●	●	●				
27	103.108	1292 304 035	000 262 2205	Main Shaft	1	Old Type w/nut		●	●					
27	103.079	1292 304 069	000 262 3905	Main Shaft	1	New Type w/seeger		●	●					
27		1292 304 070	000 262 4005	Main Shaft (GPA Version)	1					●				
28	137.235	0735 320 466	009 981 9210	Needle bearing D.80x88x34,6	1			●	●	●				
29	145.262	1292 304 018	000 262 4311	Gear Low Speed 41 T	1			●	●	●				
30	157.117	1292 304 026	000 262 1827	Synchronizer Hub	1			●	●	●				
31	154.102	1292 304 025	000 262 3523	Sliding Sleeve	1			●	●	●				
32	171.014	0635 460 010	002 981 5685	Ball D.6	3			●	●	●				
33	156.124	0732 040 497	343 264 0993	Spring De.6x7	3			●	●	●				
34	145.261	1292 304 017	000 262 4411	Reverse Gear 37 T	1			●	●	●				
35	137.235	0735 320 466	009 981 9210	Needle bearing D.80x88x34,6	1			●	●	●				
36	117.205	1292 304 027	000 262 1850	Bushing	1			●	●	●				

Notes

(*) Old Version with 3 spring holes. To be used with spring 156.025 (fig. 10)

Date

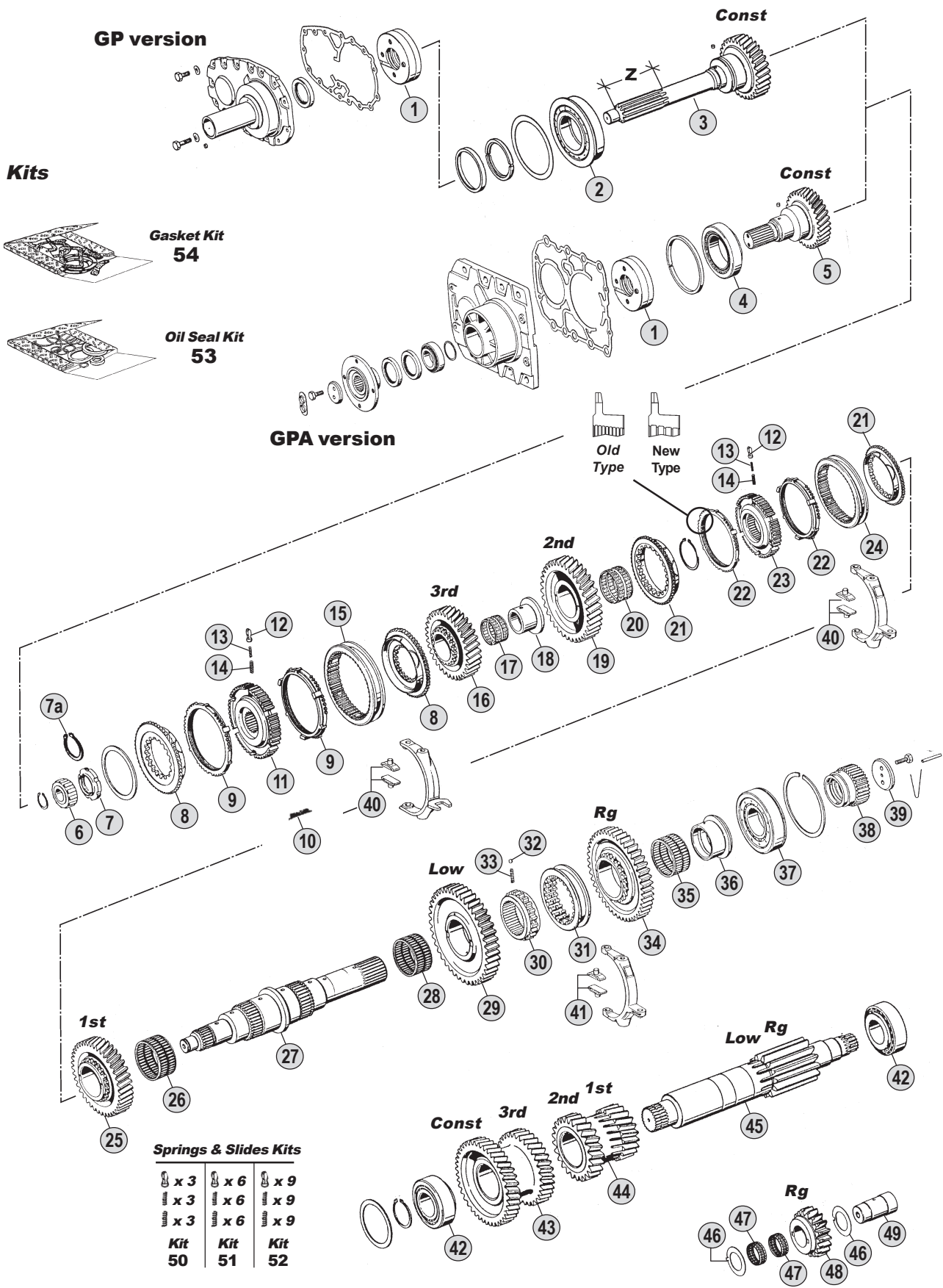
05 / 2006

Table

0090 / B

Suitable To : **ZF**

5S111GP/GPA and 5S111GP+GV90/1



All original equipment manufacturers' numbers, symbols, models and description used in this catalogue are for reference only, and it is not implied that any part listed is the product of these manufactures. Tutti i nostri particolari non sono originali ma con essi intercambiabili. I riferimenti originali, le figure, i modelli sono esposti a semplice titolo indicativo. La nostra produzione riporta il nostro marchio.

Ratios	
5S111GP	13,10-1,00
5S111GP+GV90/1	13,10-0,85
5S111GPA	13,40-1,02



Fig.	CEI no.	O.E.M. Reference		Description	Q.ty	Note	Ratio							
		ZF no.	MB no.					5S111GP	5S111GP+GV90/1	5S111GPA				
37	130.699	0750 118 081	005 981 8701	Bearing D.70x150x35	1			●	●	●				
38	157.082	1286 304 022	000 262 0910	Sun Gear 35 T	1			●	●	●				
39	188.212	1269 304 070	000 262 2362	Stop Washer	1			●	●	●				
40	141.061	1272 334 003	000 268 0149	Bronze Slide	2			●	●	●				
41	141.068	1295 306 132	000 268 0849	Bronze Slide	2			●	●	●				
42	130.242	0750 117 010	001 980 8102	Bearing D.50,80x100x35	2			●	●	●				
43	143.067	1292 303 005	000 263 2213	Double Gear 33/41 T	1			●	●	●				
44	143.068	1292 303 006	000 263 2113	Double Gear 20/26 T	1			●	●	●				
45	105.062	1292 303 004	000 260 0924	Countershaft 13 T	1			●	●	●				
46	169.234	0730 150 064	343 263 0062	Thrust Washer	2			●	●	●				
47	137.007	0750 115 011	010 981 1010	Needle Cage D.45x53x21	2			●	●	●				
48	147.095	1292 305 004	000 263 1831	Reverse Gear 17 T	1			●	●	●				
49	107.088	1269 305 003	000 263 0530	Reverse Shaft	1			●	●	●				
50	198.339	1268 298 938		Spring Slide Set	1			●	●	●				
51	198.564	CEI 198564		Spring Slide Set	1			●	●	●				
52	198.842	1295 298 933		Spring Slide Set	1			●	●	●				
53	198.421	1269 298 928		Oil Seal Kit	1			●	●					
54	198.422	1269 298 933		Gasket Kit	1			●	●					

All original equipment manufacturers numbers, symbols, pictures, models and description used in this catalogue are for reference only, and it is not implied that any part listed is the product of these manufactures.
Tutti i nostri particolari non sono originali ma con essi intercambiabili. I riferimenti originali, le figure, i modelli sono esposti a semplice titolo indicativo. La nostra produzione riporta il nostro marchio.

Notes

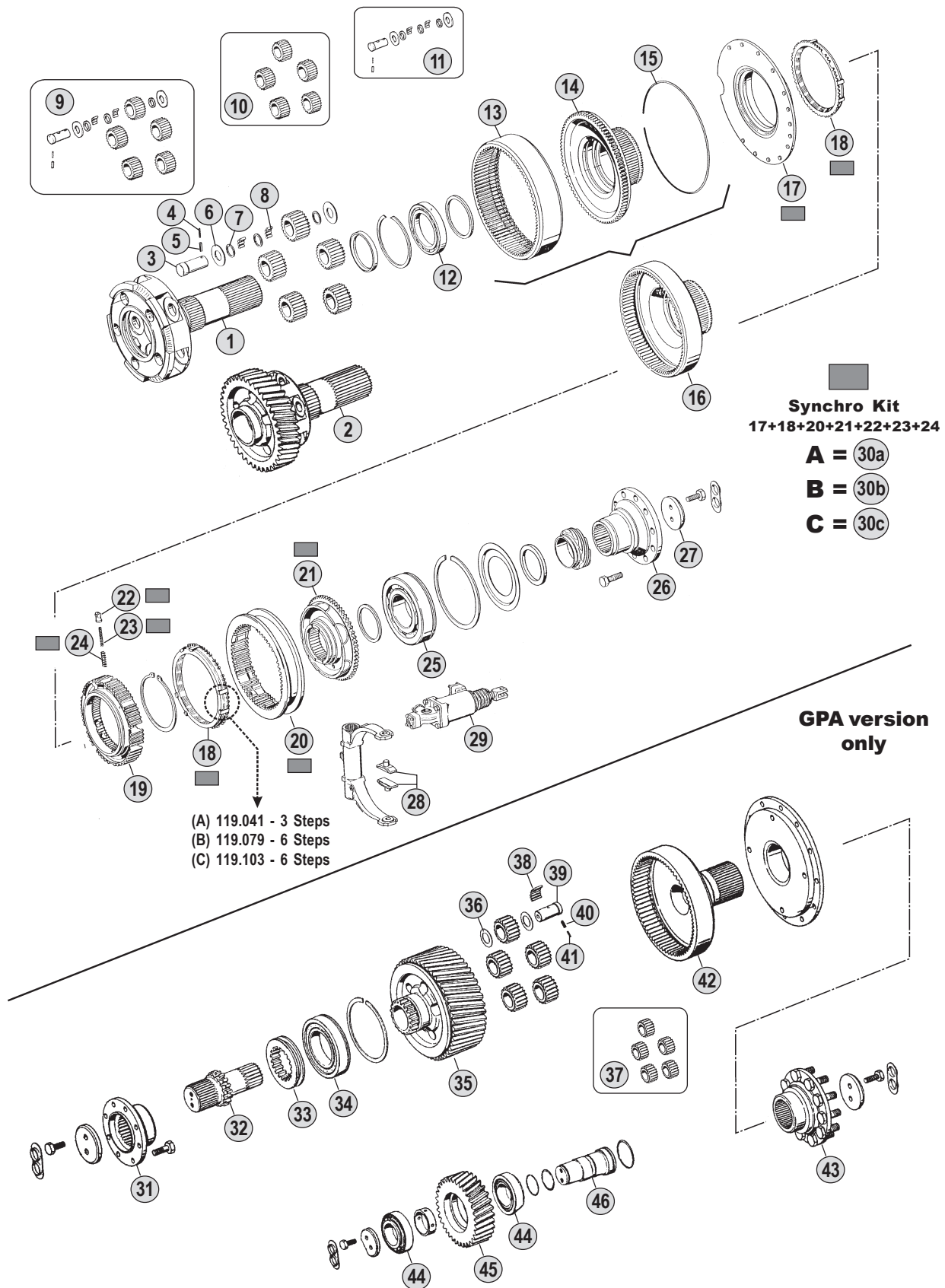
(*) Old Version with 3 spring holes. To be used with spring 156.025 (fig. 10)

Date

05 / 2006

Table

0090 / B

Suitable To : **ZF****5S111GP/GPA** and **5S111GP+GV90/1**

All original equipment manufacturers' numbers, symbols, and description used in this catalogue are for reference only, and it is not implied that any part listed is the product of these manufacturers. Tutti i nostri particolari non sono originali ma essi intercambiabili. I riferimenti originali, le figure, i modelli sono esposti a semplice titolo indicativo. La nostra produzione riporta il nostro marchio.

Ratios

5S111GP	13,10-1,00
5S111GP+GV90/1	13,10-0,85
5S111GPA	13,40-1,02

Fig.	CEI no.	O.E.M. Reference		Description	Q.ty	Note	Ratio						
		ZF no.	MB no.					5S111GP	5S111GP+GI90/1	5S111GPA			
1	190.402	1269 232 041	000 260 3961	Planet Carrier	1			●	●				
2	190.403	1269 232 037	000 260 2861	Planet Carrier	1					●			
3	107.089	1269 332 036	000 264 1618	Pin	5			●	●				
3	107.208	1269 332 050	000 264 2918	Pin	5					●			
4	160.152	0631 329 016	001 481 003 021	Lock Pin D.3x20	5			●	●	●			
5	160.151	0631 329 048	001 481 005 026	Lock Pin D.5,4x20	5			●	●	●			
6	169.408	0501 305 887	003 264 2252	Thrust Washer D.29x57,5x1,5	10			●	●	●			
7	169.410	0730 103 846	003 264 2052	Spacer Ring D.29x39x1,00	15			●	●	●			
8	171.016	0735 470 057	001 981 1187	Roller D.6x14,75	180			●	●	●			
9	198.414	1269 298 958	000 262 0606	Planetary gear set (Complete)	1			●	●				
10	198.371	1286 298 902	000 260 1197	Planetary gear set (5 pcs)	1			●	●	●			
11	198.447	CEI 198447		Overhaul Planetary Gear Kit	1	Complete (For 5 series)		●	●				
12	130.700	0635 330 050		Bearing D.75x115x13	1			●	●	●			
13	123.163	1269 332 055	000 264 2821	Crown Gear 85 T	1			●	●	●			
14	150.113	1269 332 054	000 262 0325	Carrier Hub 85 T	1			●	●	●			
15	111.175	0730 505 053	000 264 0673	Seeger Ring 2,50	1			●	●	●			
16	123.145	1269 332 020	000 264 1721	Gear 85 T	1	Old Type		●	●	●			
17	135.060	1269 233 010	000 262 2037	Synchronizer Flange	1		(AB)	●	●	●			
17	135.111	1269 233 012	000 262 3340	Synchronizer Flange	1		(C)	●	●	●			
18	119.041	1269 328 254	000 262 0734	Synchronizer Ring	2		(A)	●	●	●			
18	119.079	1269 328 289	000 262 2234	Synchronizer Ring	2		(B)	●	●	●			
18	119.103	1269 328 291	000 262 3534	Synchronizer Ring	2		(C)	●	●	●			
19	157.115	1269 333 057	000 263 0835	Synchronizer Hub	1		(ABC)	●	●	●			
20	154.031	1269 333 047	000 262 4123	Sliding sleeve	1		(ABC)	●	●	●			
21	109.020	1269 333 048	000 262 1537	Synchronizer cone	1		(AB)	●	●	●			
21	109.120	1269 333 056	000 262 3240	Synchronizer cone	1		(C)	●	●	●			
22	160.126	1269 328 234	000 263 0140	Pressure Piece	6			●	●	●			
23	156.125	0732 040 929	003 993 9201	Spring	6			●	●	●			
24	156.120	0732 040 736	002 993 7501	Spring	6			●	●	●			
25	130.264	0635 333 049	000 981 9025	Bearing D.70x150x35	1			●	●	●			
26	155.132	1269 338 028	000 264 0845	Output Flange D.165 (8 holes)	1			●	●				
26	155.167	1269 338 026		Output Flange D.180 (8 holes)	1			●	●				
26	155.113	1269 338 020	000 264 0945	Output Flange D.180 (10 holes)	1			●	●				
27	188.070	1240 304 117	343 262 0062	Stop Washer	1			●	●				
28	141.088	1295 334 027	000 268 0549	Bronze slide	2			●	●	●			
29	280.630	0750 132 019	000 260 4663	Cylinder	1			●	●	●			
29	280.366	0750 132 009	000 260 5363	Cylinder	1			●	●	●			
30A	198.966	CEI 198966		Synchronizer Kit	1		(A)	●	●	●			
30B	198.515	1269 298 979		Synchronizer Kit	1		(B)	●	●	●			
30C	198.717	1269 298 980		Synchronizer Kit	1		(C)	●	●	●			
31	197.138	1269 339 048	000 260 0717	Output flange (GPA)	1					●			
32	101.143	1269 339 025	000 262 5902	Shaft (GPA)	1					●			
33	154.369	1269 339 003	000 262 1323	Sliding sleeve	1					●			
34	130.701	0635 332 132	000 625 536 219	Bearing D.95x170x32	1					●			
35	190.405	1269 237 012	000 260 0861	Planetary shaft (GPA)	1					●			

Notes

- (A) 1st Generation. To be coupled together.
 (B) 2ns Generation. To be coupled together.
 (C) 3rd Generation. Reinforced. To be coupled together. Do no MIX

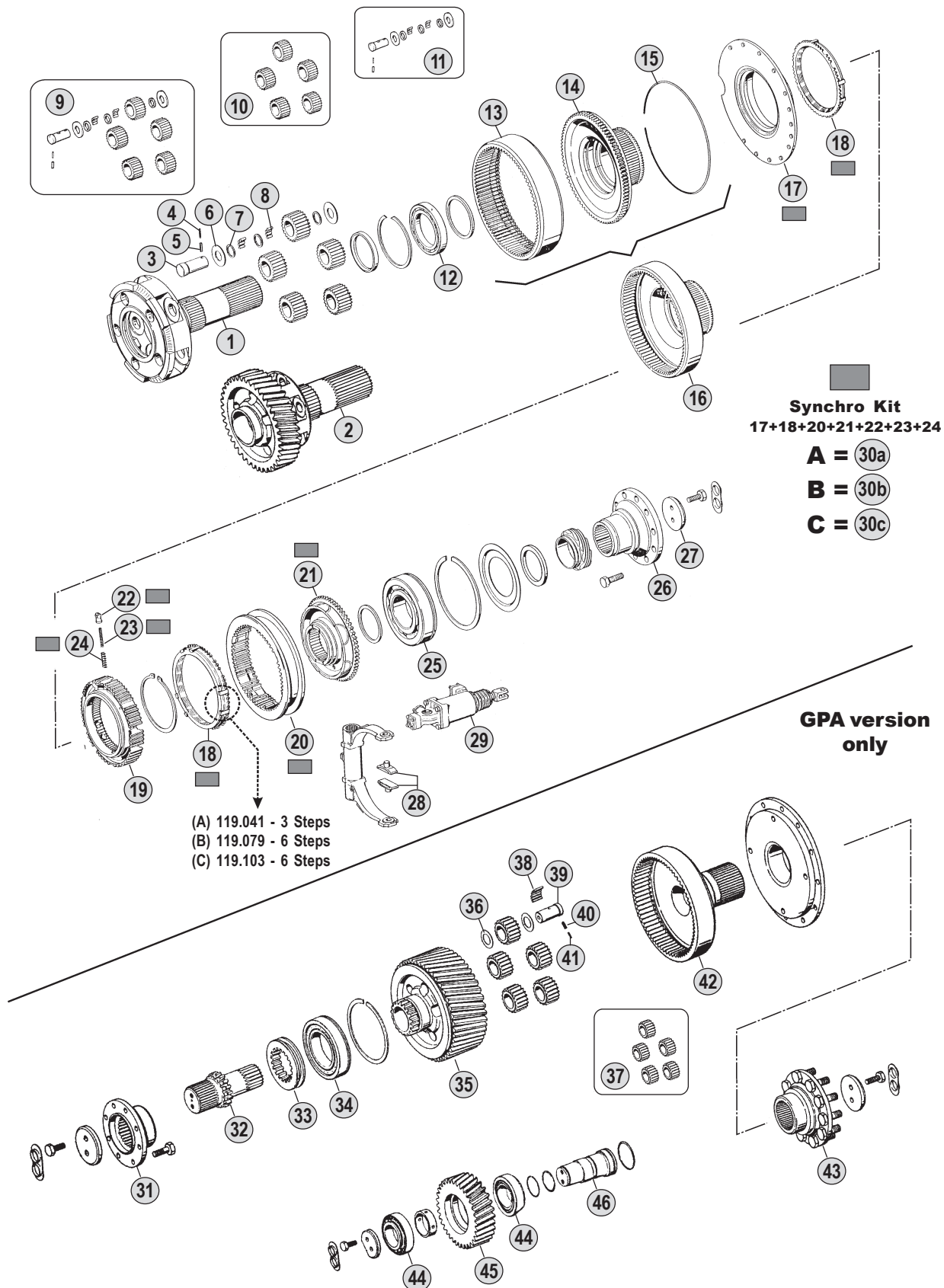
Date

05 / 2006

Table

0090 / C

All original equipment manufacturers numbers, symbols, pictures, models and description used in this catalogue are for reference only, and it is not implied that any part listed is the product of these manufactures.
 Tutti i nostri particolari non sono originali ma con essi intercambiabili. I riferimenti originali, le figure, i modelli sono esposti a semplice titolo indicativo. La nostra produzione riporta il nostro marchio.

Suitable To : **ZF****5S111GP/GPA** and **5S111GP+GV90/1**

All original equipment manufacturers' numbers, symbols, pictures, models and description used in this catalogue are for reference only, and it is not implied that any part listed is the product of these manufactures.
Tutti i nostri particolari non sono originali ma essi intercambiabili. I riferimenti originali, le figure, i modelli sono esposti a semplice titolo indicativo. La nostra produzione riporta il nostro marchio.

Ratios

5S111GP	13,10-1,00
5S111GP+GV90/1	13,10-0,85
5S111GPA	13,40-1,02

ZF Index

ZF no.	CEI no.	MB no.	Tav. Fig.	ZF no.	CEI no.	MB no.	Tav. Fig.
0501 304 692	169.396	002 264 5152	0070/C 6	0635 460 010	171.014	002 981 5685	0070/A 9
0501 305 887	169.408	003 264 2252	0080/D 6	0635 460 010	171.014	002 981 5685	0070/A 17
0501 305 887	169.408	003 264 2252	0090/C 6	0635 460 010	171.014	002 981 5685	0070/A 26
0630 501 118			0090/B 7A	0635 460 010	171.014	002 981 5685	0070/B 31
0630 531 057	111.018	001 994 8841	0020 5	0635 460 010	171.014	002 981 5685	0080/B 9
0630 531 057	111.018	001 994 8841	0030 4A	0635 460 010	171.014	002 981 5685	0080/B 17
0630 531 057	111.018	001 994 8841	0050 5	0635 460 010	171.014	002 981 5685	0080/B 26
0630 531 057	111.018	001 994 8841	0060 4A	0635 460 010	171.014	002 981 5685	0080/C 32
0631 329 014			0090/C 41	0635 460 010	171.014	002 981 5685	0090/B 32
0631 329 016	160.152	001 481 003 021	0070/C 5	0635 501 398	See	1246 203 008	
0631 329 016	160.152	001 481 003 021	0080/D 4	0635 501 400	See	1246 203 007	
0631 329 016	160.152	001 481 003 021	0090/C 4	0635 501 408	See	1246 203 011	
0631 329 046		001 481 005 017	0090/C 40	0635 900 109	See	0635 333 049	
0631 329 048	160.151	001 481 005 026	0070/C 4	0730 002 088		000 264 1062	0090/C 36
0631 329 048	160.151	001 481 005 026	0080/D 5	0730 060 644	See	1250 305 006	
0631 329 048	160.151	001 481 005 026	0090/C 5	0730 103 102	169.397	002 264 5252	0070/C 7
0635 330 016	See	0635 330 050		0730 103 846	169.410	003 264 2052	0080/D 7
0635 330 050	130.700		0080/D 12	0730 103 846	169.410	003 264 2052	0090/C 7
0635 330 050	130.700		0090/C 12	0730 150 064	169.234	343 263 0062	0020 44
0635 332 058	See	0750 116 036		0730 150 064	169.234	343 263 0062	0030 48
0635 332 132	130.701	000 625 536 219	0080/D 33	0730 150 064	169.234	343 263 0062	0050 44
0635 332 132	130.701	000 625 536 219	0090/C 34	0730 150 064	169.234	343 263 0062	0060 48
0635 333 049	130.264	000 981 9025	0020 35	0730 150 064	169.234	343 263 0062	0070/A 41
0635 333 049	130.264	000 981 9025	0050 35	0730 150 064	169.234	343 263 0062	0070/B 48
0635 333 049	130.264	000 981 9025	0080/D 25	0730 150 064	169.234	343 263 0062	0080/B 38
0635 333 049	130.264	000 981 9025	0090/C 25	0730 150 064	169.234	343 263 0062	0080/C 46
0635 338 028	See	0735 340 080		0730 150 064	169.234	343 263 0062	0090/B 46
0635 371 029	See	0750 117 078		0730 150 767	See	0501 304 692	
0635 373 008	130.696		0070/C 41	0730 160 240	See	0730 160 344	
0635 373 008	130.696		0070/C 43	0730 160 344	117.101	343 262 0350	0020 32
0635 374 019	130.263	004 981 1305	0050 39A	0730 160 344	117.101	343 262 0350	0030 35
0635 374 019	130.263	004 981 1305	0060 47	0730 160 344	117.101	343 262 0350	0050 32
0635 416 273	130.695	005412 520217	0070/C 35	0730 160 344	117.101	343 262 0350	0060 35
0635 421 189	See	0750 118 015		0730 505 027	111.266	001 994 0135	0070/C 13
0635 421 254	See	0750 118 082		0730 505 029	See	0730 505 054	
0635 421 276	See	0750 118 081		0730 505 046	See	0730 505 053	
0635 457 037	See	1269 298 966		0730 505 053	111.175	000 264 0673	0080/D 15
0635 460 010	171.014	002 981 5685	0020 8	0730 505 053	111.175	000 264 0673	0090/C 15
0635 460 010	171.014	002 981 5685	0020 18	0730 505 054	111.267	001 994 4135	0070/C 15
0635 460 010	171.014	002 981 5685	0020 28	0732 020 030	156.025	336 264 0893	0010 6A
0635 460 010	171.014	002 981 5685	0050 8	0732 020 030	156.025	336 264 0893	0030 7
0635 460 010	171.014	002 981 5685	0050 18	0732 020 030	156.025	336 264 0893	0040 6A
0635 460 010	171.014	002 981 5685	0050 28	0732 020 030	156.025	336 264 0893	0060 7

All original equipment manufacturers' numbers, symbols, pictures, models and description used in this catalogue are for reference only, and it is not implied that any part listed is the product of these manufactures. Tutti i nostri particolari non sono originali ma con essi intercambiabili. I riferimenti originali, le figure, i modelli sono esposti a semplice titolo indicativo. La nostra produzione riporta il nostro marchio.

Date

05 / **2006**

Table

Index

ZF no.	CEI no.	MB no.	Tav. Fig.	ZF no.	CEI no.	MB no.	Tav. Fig.
0732 020 030	156.025	336 264 0893	0070/B 8A	0735 320 154	137.096	001 981 7410	0020 33
0732 020 030	156.025	336 264 0893	0080/A 10	0735 320 154	137.096	001 981 7410	0030 36
0732 020 030	156.025	336 264 0893	0080/C 10	0735 320 154	137.096	001 981 7410	0050 33
0732 020 030	156.025	336 264 0893	0090/A 10	0735 320 154	137.096	001 981 7410	0060 36
0732 020 030	156.025	336 264 0893	0090/B 10	0735 320 203	See	0735 320 314	
0732 040 385	156.037	336 264 0693	0010 11	0735 320 204	See	0750 115 284	
0732 040 385	156.037	336 264 0693	0030 13	0735 320 206	See	0750 115 283	
0732 040 385	156.037	336 264 0693	0040 11	0735 320 261	See	0735 320 396	
0732 040 385	156.037	336 264 0693	0060 13	0735 320 262	See	0735 320 493	
0732 040 385	156.037	336 264 0693	0070/B 14	0735 320 314	137.091	005 981 0510	0020 11
0732 040 385	156.037	336 264 0693	0070/C 22	0735 320 314	137.091	005 981 0510	0030 15
0732 040 385	156.037	336 264 0693	0080/A 14	0735 320 314	137.091	005 981 0510	0050 11
0732 040 385	156.037	336 264 0693	0080/C 14	0735 320 314	137.091	005 981 0510	0060 15
0732 040 385	156.037	336 264 0693	0090/A 14	0735 320 314	137.091	005 981 0510	0060 15
0732 040 385	156.037	336 264 0693	0090/B 14	0735 320 371	137.079	005 981 8710	0080/B 19
0732 040 386	156.036	336 264 0793	0010 10	0735 320 371	137.079	005 981 8710	0080/B 22
0732 040 386	156.036	336 264 0793	0030 12	0735 320 371	137.079	005 981 8710	0080/B 29
0732 040 386	156.036	336 264 0793	0040 10	0735 320 371	137.079	005 981 8710	0080/C 26
0732 040 386	156.036	336 264 0793	0060 12	0735 320 371	137.079	005 981 8710	0080/C 28
0732 040 386	156.036	336 264 0793	0070/B 13	0735 320 371	137.079	005 981 8710	0080/C 35
0732 040 386	156.036	336 264 0793	0070/C 21	0735 320 374	See	0750 115 227	
0732 040 386	156.036	336 264 0793	0080/A 13	0735 320 377	137.075	006 981 6410	0070/A 22
0732 040 386	156.036	336 264 0793	0080/C 13	0735 320 377	137.075	006 981 6410	0070/B 27
0732 040 386	156.036	336 264 0793	0090/A 13	0735 320 380	See	0750 115 089	
0732 040 386	156.036	336 264 0793	0090/B 13	0735 320 388	See	0735 320 417	
0732 040 497	156.124	343 264 0993	0020 19	0735 320 396	137.077	008 981 1010	0080/B 11
0732 040 497	156.124	343 264 0993	0050 19	0735 320 396	137.077	008 981 1010	0080/C 17
0732 040 497	156.124	343 264 0993	0070/A 18	0735 320 401	See	0735 320 418	
0732 040 497	156.124	343 264 0993	0070/A 27	0735 320 408	See	0750 115 282	
0732 040 497	156.124	343 264 0993	0070/B 32	0735 320 417	137.267	012 981 7910	0070/A 29
0732 040 497	156.124	343 264 0993	0080/B 18	0735 320 417	137.267	012 981 7910	0070/B 33
0732 040 497	156.124	343 264 0993	0080/B 27	0735 320 418	137.084	010 981 3510	0090/B 26
0732 040 497	156.124	343 264 0993	0080/C 33	0735 320 465	137.236	009 981 9310	0090/B 20
0732 040 497	156.124	343 264 0993	0090/B 33	0735 320 466	137.235	009 981 9210	0090/B 28
0732 040 736	156.120	002 993 7501	0080/D 24	0735 320 466	137.235	009 981 9210	0090/B 35
0732 040 736	156.120	002 993 7501	0090/C 24	0735 320 470	See	0750 115 284	
0732 040 929	156.125	003 993 9201	0080/D 23	0735 320 484	See	0735 320 371	
0732 040 929	156.125	003 993 9201	0090/C 23	0735 320 493	137.078	008 981 0910	0080/B 14
0735 320 042	See	0750 115 011		0735 320 493	137.078	008 981 0910	0080/C 20
0735 320 105	See	0735 320 374		0735 320 499	137.107	009 981 9010	0060 15
0735 320 110	See	0750 115 134		0735 320 499	137.107	009 981 9010	0090/B 17
0735 320 111	See	0750 115 282		0735 320 731	137.265	012 981 7810	0070/A 11
0735 320 150	See	0735 320 154		0735 320 731	137.265	012 981 7810	0070/B 16

Date

05 / 2006

Table

Index

All original equipment manufacturers numbers, symbols, pictures, models and description used in this catalogue are for reference only, and it is not implied that any part listed is the product of these manufacturers.
Tutti i nostri particolari non sono originali ma con essi intercambiabili. I riferimenti originali, le figure, i modelli sono esposti a semplice titolo indicativo. La nostra produzione riporta il nostro marchio.

ZF Index

ZF no.	CEI no.	MB no.	Tav. Fig.	ZF no.	CEI no.	MB no.	Tav. Fig.
0735 320 732	137.266	012 981 7910	0070/A 14	0750 115 134	137.093	012 981 5910	0060 24
0735 320 732	137.266	012 981 7910	0070/B 19	0750 115 227	137.074	005 981 9910	0070/A 19
0735 340 080	130.265	002 981 7825	0070/C 26	0750 115 227	137.074	005 981 9910	0070/B 25
0735 358 032	137.268	002 981 3410	0010 14	0750 115 282	137.094	013 981 9210	0020 23
0735 358 032	137.268	002 981 3410	0040 14	0750 115 282	137.094	013 981 9210	0030 26
0735 358 032	137.268	002 981 3410	0080/A 18	0750 115 282	137.094	013 981 9210	0050 23
0735 358 032	137.268	002 981 3410	0090/A 18	0750 115 282	137.094	013 981 9210	0060 26
0735 370 033	130.235	005 981 5005	0070/A 2	0750 115 283	137.095	002 981 1710	0020 29
0735 370 033	130.235	005 981 5005	0070/B 2	0750 115 283	137.095	002 981 1710	0030 32
0735 370 037	See	0750 117 381		0750 115 283	137.095	002 981 1710	0050 29
0735 370 055	See	0750 117 010		0750 115 283	137.095	002 981 1710	0060 32
0735 455 004	See	0750 118 019		0750 115 284	137.092	013 981 9110	0020 14
0735 455 012	130.692	003 981 6001	0060 3	0750 115 284	137.092	013 981 9110	0030 18
0735 470 027	171.015	001 981 0087	0070/C 8	0750 115 284	137.092	013 981 9110	0050 14
0735 470 045		001 981 0287	0090/C 38	0750 115 284	137.092	013 981 9110	0060 18
0735 470 057	171.016	001 981 1187	0080/D 8	0750 116 036	130.266	003 981 9925	0070/C 28
0735 470 057	171.016	001 981 1187	0090/C 8	0750 117 010	130.242	001 980 8102	0040 16
0737 502 003	See	0737 502 152		0750 117 010	130.242	001 980 8102	0050 39
0737 502 011	See	0737 502 168		0750 117 010	130.242	001 980 8102	0060 42
0737 502 152	187.343	000 990 1360	0080/B 6A	0750 117 010	130.242	001 980 8102	0080/A 20
0737 502 152	187.343	000 990 1360	0080/C 7	0750 117 010	130.242	001 980 8102	0080/B 34
0737 502 152	187.343	000 990 1360	0090/B 7	0750 117 010	130.242	001 980 8102	0080/C 42
0737 502 168	187.245	343 990 0360	0020 4	0750 117 010	130.242	001 980 8102	0090/A 20
0737 502 168	187.245	343 990 0360	0030 4	0750 117 010	130.242	001 980 8102	0090/B 42
0737 502 168	187.245	343 990 0360	0050 4	0750 117 078	130.698	010 981 1501	0080/A 4
0737 502 168	187.245	343 990 0360	0060 4	0750 117 078	130.698	010 981 1501	0080/B 4
0750 115 007	See	0735 320 499		0750 117 078	130.698	010 981 1501	0080/C 4
0750 115 011	137.007	010 981 1010	0020 46	0750 117 078	130.698	010 981 1501	0090/B 4
0750 115 011	137.007	010 981 1010	0030 49	0750 117 083	130.234	009 981 3301	0010 16
0750 115 011	137.007	010 981 1010	0050 46	0750 117 083	130.234	009 981 3301	0020 39
0750 115 011	137.007	010 981 1010	0060 49	0750 117 083	130.234	009 981 3301	0030 42
0750 115 011	137.007	010 981 1010	0070/A 42	0750 117 083	130.234	009 981 3301	0070/A 35
0750 115 011	137.007	010 981 1010	0070/B 49	0750 117 083	130.234	009 981 3301	0070/B 42
0750 115 011	137.007	010 981 1010	0080/B 39	0750 117 083	See	1246 203 007	
0750 115 011	137.007	010 981 1010	0080/C 47	0750 117 203			0040 18
0750 115 011	137.007	010 981 1010	0090/B 47	0750 117 381	130.693		0070/A 4
0750 115 089	137.108	011 981 1210	0010 3	0750 117 381	130.693		0070/B 4
0750 115 089	137.108	011 981 1210	0040 3	0750 118 015	130.694	005 981 5201	0070/A 30
0750 115 089	137.108	011 981 1210	0080/A 6	0750 118 015	130.694	005 981 5201	0070/B 35
0750 115 089	137.108	011 981 1210	0090/A 6	0750 118 019	137.087	004 981 5801	0070/A 6
0750 115 134	137.093	012 981 5910	0020 21	0750 118 019	137.087	004 981 5801	0070/B 6
0750 115 134	137.093	012 981 5910	0030 24	0750 118 019	137.087	004 981 5801	0080/B 6
0750 115 134	137.093	012 981 5910	0050 21	0750 118 019	137.087	004 981 5801	0080/C 6

All original equipment manufacturers' numbers, symbols, pictures, models and description used in this catalogue are for reference only, and it is not implied that any part listed is the product of these manufactures. Tutti i nostri particolari non sono originali/ma con essi intercambiabili. I riferimenti originali, le figure, i modelli sono esposti a semplice titolo indicativo. La nostra produzione riporta il nostro marchio.

Date

05 / 2006

Table

Index

ZF no.	CEI no.	MB no.	Tav. Fig.	ZF no.	CEI no.	MB no.	Tav. Fig.
0750 118 019	137.087	004 981 5801	0090/B 6	1240 304 117	188.070	343 262 0062	0080/D 27
0750 118 068	See	0750 118 129		1240 304 117	188.070	343 262 0062	0090/C 27
0750 118 081	130.699	005 981 8701	0010 1	1240 304 205	See	1240 304 272	
0750 118 081	130.699	005 981 8701	0040 1	1240 304 272	154.064	000 262 0623	0010 8
0750 118 081	130.699	005 981 8701	0080/B 30	1240 304 272	154.064	000 262 0623	0040 8
0750 118 081	130.699	005 981 8701	0080/C 37	1240 304 272	154.064	000 262 0623	0080/A 15
0750 118 081	130.699	005 981 8701	0090/B 37	1240 304 272	154.064	000 262 0623	0090/A 15
0750 118 082	130.258	005 981 8501	0010 13	1240 304 278	160.116	336 264 0239	0010 9
0750 118 082	130.258	005 981 8501	0020 1	1240 304 278	160.116	336 264 0239	0030 11
0750 118 082	130.258	005 981 8501	0030 1	1240 304 278	160.116	336 264 0239	0040 9
0750 118 082	130.258	005 981 8501	0030 38	1240 304 278	160.116	336 264 0239	0060 11
0750 118 082	130.258	005 981 8501	0040 13	1240 304 278	160.116	336 264 0239	0070/B 12
0750 118 082	130.258	005 981 8501	0050 1	1240 304 278	160.116	336 264 0239	0080/A 12
0750 118 082	130.258	005 981 8501	0060 1	1240 304 278	160.116	336 264 0239	0080/C 12
0750 118 082	130.258	005 981 8501	0060 38	1240 304 278	160.116	336 264 0239	0090/A 12
0750 118 090	130.691	006 981 4701	0020 3	1240 304 278	160.116	336 264 0239	0090/B 12
0750 118 090	130.691	006 981 4701	0030 3	1240 304 305	See	1240 304 384	
0750 118 090	130.691	006 981 4701	0050 3	1240 304 375	154.033	000 262 0823	0080/C 24
0750 118 090	130.691	006 981 4701	0060 3	1240 304 375	154.033	000 262 0823	0090/B 24
0750 118 090	130.691	006 981 4701	0060 3	1240 304 384	119.069	000 262 0434	0010 6
0750 118 129	130.697	007 981 0301	0080/A 2	1240 304 384	119.069	000 262 0434	0040 6
0750 118 129	130.697	007 981 0301	0080/A 17	1240 304 384	119.069	000 262 0434	0080/A 9
0750 118 129	130.697	007 981 0301	0080/B 2	1240 304 384	119.069	000 262 0434	0090/A 9
0750 118 129	130.697	007 981 0301	0080/C 2	1240 306 171	See	1240 306 234	
0750 118 129	130.697	007 981 0301	0090/A 2	1240 306 234	141.062	000 265 0549	0020 38
0750 118 129	130.697	007 981 0301	0090/A 17	1240 306 234	141.062	000 265 0549	0050 38
0750 118 129	130.697	007 981 0301	0090/B 2	1240 312 073		336 264 0023	0010 8
0750 132 009	280.366	000 260 5363	0080/D 29	1246 203 008	130.233	001 980 9602	0020 39A
0750 132 009	280.366	000 260 5363	0090/C 29	1246 203 008	130.233	001 980 9602	0030 47
0750 132 019	280.630	000 260 4663	0070/C 25	1246 203 008	130.233	001 980 9602	0070/A 40
0750 132 019	280.630	000 260 4663	0080/D 29	1246 203 008	130.233	001 980 9602	0070/B 47
0750 132 019	280.630	000 260 4663	0090/C 29	1246 203 011			0010 18
1203 321 009	156.150	002 993 1801	0020 9	1246 304 136	155.139	000 262 1627	0070/A 24
1203 321 009	156.150	002 993 1801	0020 27	1246 304 136	155.139	000 262 1627	0070/B 29
1203 321 009	156.150	002 993 1801	0050 9	1246 304 237	154.367	000 262 5223	0020 26
1203 321 009	156.150	002 993 1801	0050 27	1246 304 237	154.367	000 262 5223	0050 26
1203 321 009	156.150	002 993 1801	0070/A 9A	1250 203 002	105.038	000 260 0224	0020 43
1203 321 009	156.150	002 993 1801	0080/B 9A	1250 203 002	105.038	000 260 0224	0030 46
1240 304 117	188.070	343 262 0062	0020 37	1250 204 008	155.079	366 260 0017	0020 36
1240 304 117	188.070	343 262 0062	0030 40	1250 204 008	155.079	366 260 0017	0030 39
1240 304 117	188.070	343 262 0062	0050 37	1250 204 008	155.079	366 260 0017	0050 36
1240 304 117	188.070	343 262 0062	0060 40	1250 204 008	155.079	366 260 0017	0060 39
1240 304 117	188.070	343 262 0062	0070/C 30	1250 204 072	See	1250 304 351	

All original equipment manufacturers numbers, symbols, pictures, models and description used in this catalogue are for reference only, and it is not implied that any part listed is the product of these manufactures.
Tutti i nostri particolari non sono originali ma con essi intercambiabili. I riferimenti originali, le figure, i modelli sono esposti a semplice titolo indicativo. La nostra produzione riporta il nostro marchio.

ZF Index

ZF no.	CEI no.	MB no.	Tav.	Fig.	ZF no.	CEI no.	MB no.	Tav.	Fig.
1250 298 907	198.417		0010	23	1250 303 054	See	1250 303 112		
1250 298 907	198.417		0020	49	1250 303 055	See	1250 303 111		
1250 298 907	198.417		0030	56	1250 303 056	143.035	343 263 0114	0020	42
1250 298 910	198.418		0010	24	1250 303 056	143.035	343 263 0114	0030	45
1250 298 910	198.418		0020	50	1250 303 056	143.035	343 263 0114	0030	45
1250 298 910	198.418		0030	57	1250 303 058	146.099	336 263 0115	0020	41
1250 302 186	102.367		0030	2	1250 303 058	146.099	336 263 0115	0030	44
1250 302 187	102.363		0020	2	1250 303 060	146.593		0020	41
1250 302 187	102.363		0030	2	1250 303 060	146.593		0030	44
1250 302 192	102.140		0020	2	1250 303 061	See	1250 303 115		
1250 302 192	102.140		0030	2	1250 303 062	143.037	366 263 0114	0020	42
1250 302 196	102.080	366 262 0102	0020	2	1250 303 062	143.037	366 263 0114	0030	45
1250 302 196	102.080	366 262 0102	0030	2	1250 303 073	See	1250 303 074		
1250 302 199	102.073	343 262 0102	0020	2	1250 303 074	146.104	366 263 0015	0020	41
1250 302 205	See	1250 302 259			1250 303 074	146.104	366 263 0015	0030	44
1250 302 242	See	1272 304 136			1250 303 075	See	1250 303 062		
1250 302 258	102.160	000 262 2502	0020	2	1250 303 084	143.087	000 263 0414	0030	45
1250 302 258	102.160	000 262 2502	0030	2	1250 303 088	146.597		0030	44
1250 302 259	102.188		0020	2	1250 303 094	146.352	000 263 0515	0030	44
1250 302 259	102.188		0030	2	1250 303 099	See	1250 203 002		
1250 302 260	102.200	000 262 3402	0030	2	1250 303 111	146.098	000 263 1610	0020	40
1250 302 287	102.362		0020	2	1250 303 111	146.098	000 263 1610	0030	43
1250 302 287	102.362		0030	2	1250 303 111	146.098	000 263 1610	0030	44
1250 302 294	102.365		0020	2	1250 303 112	146.103	000 263 1710	0020	40
1250 302 294	102.365		0030	2	1250 303 112	146.103	000 263 1710	0030	43
1250 302 303	102.139		0030	2	1250 303 113	146.592		0020	40
1250 302 304	102.368		0030	2	1250 303 113	146.592		0030	43
1250 302 378	102.211		0030	2	1250 303 114	146.351	000 263 1310	0030	43
1250 302 392	102.366		0030	2	1250 303 115	146.237		0030	43
1250 302 445	102.210		0030	2	1250 303 116	146.591		0020	40
1250 302 452	102.364		0020	2	1250 303 116	146.591		0030	43
1250 302 464			0020	2	1250 303 136	143.127		0030	45
1250 303 016	See	1250 303 056			1250 303 137	146.596		0030	44
1250 303 027	See	1250 303 058			1250 303 138	146.594		0030	43
1250 303 032	See	1250 203 002			1250 303 154	146.595		0030	43
1250 303 034	See	1250 303 060			1250 303 159	143.128		0030	45
1250 303 046	See	1250 303 049			1250 304 004	154.058	343 262 0023	0020	26
1250 303 047	See	1250 303 116			1250 304 006	109.030	343 262 0036	0020	31
1250 303 048	146.102	343 263 0215	0020	41	1250 304 006	109.030	343 262 0036	0030	34
1250 303 048	146.102	343 263 0215	0030	44	1250 304 006	109.030	343 262 0036	0050	31
1250 303 049	143.126		0020	42	1250 304 006	109.030	343 262 0036	0060	34
1250 303 049	143.126		0030	45	1250 304 010	See	1250 304 306		
1250 303 053	See	1250 303 113			1250 304 028	See	1250 304 240		

All original equipment manufacturers numbers, symbols, pictures, models and description used in this catalogue are for reference only, and it is not implied that any part listed is the product of these manufacturers. Tutti i nostri particolari non sono originali ma con essi intercambiabili. I riferimenti originali, le figure, i modelli sono esposti a semplice titolo indicativo. La nostra produzione riporta il nostro marchio.

Date

05 / **2006**

Table

Index

ZF no.	CEI no.	MB no.	Tav. Fig.	ZF no.	CEI no.	MB no.	Tav. Fig.
1250 304 029	145.200	343 262 0012	0020 24	1250 304 185	155.076	343 262 0427	0020 7
1250 304 029	145.200	343 262 0012	0020 24	1250 304 185	155.076	343 262 0427	0050 7
1250 304 029	145.200	343 262 0012	0030 27	1250 304 185	155.076	343 262 0427	0050 7
1250 304 030	See	1250 304 235		1250 304 185	155.076	343 262 0427	0070/A 7
1250 304 101	See	1250 304 350		1250 304 210	145.216	366 262 0115	0020 10
1250 304 102	See	1250 304 401		1250 304 210	145.216	366 262 0115	0020 10
1250 304 107	155.075	343 262 0145	0020 36	1250 304 214	See	1250 304 227	
1250 304 107	155.075	343 262 0145	0030 39	1250 304 217	145.217	366 262 0114	0020 13
1250 304 107	155.075	343 262 0145	0050 36	1250 304 217	145.217	366 262 0114	0020 13
1250 304 107	155.075	343 262 0145	0060 39	1250 304 217	145.217	366 262 0114	0030 17
1250 304 123	See	1250 304 173		1250 304 226	119.054	336 262 0734	0030 6
1250 304 127	145.203	343 262 0115	0020 10	1250 304 226	119.054	336 262 0734	0030 20
1250 304 129	103.076	343 262 0105	0020 22	1250 304 226	119.054	336 262 0734	0060 6
1250 304 129	103.076	343 262 0105	0030 25	1250 304 226	119.054	336 262 0734	0060 20
1250 304 129	103.076	343 262 0105	0050 22	1250 304 226	119.054	336 262 0734	0070/B 8
1250 304 129	103.076	343 262 0105	0060 25	1250 304 226	119.054	336 262 0734	0070/B 21
1250 304 129	103.076	343 262 0105	0060 25	1250 304 226	119.054	336 262 0734	0080/C 9
1250 304 135	145.849		0030 14	1250 304 226	119.054	336 262 0734	0080/C 22
1250 304 137	See	1250 304 384		1250 304 226	119.054	336 262 0734	0090/B 9
1250 304 140	147.066	343 262 0211	0020 34	1250 304 226	119.054	336 262 0734	0090/B 22
1250 304 140	147.066	343 262 0211	0030 37	1250 304 227	119.068	336 262 0634	0030 29
1250 304 141	154.099	343 262 0323	0020 6	1250 304 227	119.068	336 262 0634	0060 29
1250 304 141	154.099	343 262 0323	0050 6	1250 304 229	See	1272 304 078	
1250 304 142	117.100	343 262 0250	0020 12	1250 304 233	154.056	000 262 1023	0020 15
1250 304 142	117.100	343 262 0250	0030 16	1250 304 233	154.056	000 262 1023	0020 15
1250 304 142	117.100	343 262 0250	0050 12	1250 304 233	154.056	000 262 1023	0050 15
1250 304 142	117.100	343 262 0250	0060 16	1250 304 233	154.056	000 262 1023	0050 15
1250 304 142	117.100	343 262 0250	0060 16	1250 304 233	154.056	000 262 1023	0070/A 16
1250 304 160	See	1257 304 020		1250 304 233	154.056	000 262 1023	0070/A 25
1250 304 166	See	1250 304 396		1250 304 233	154.056	000 262 1023	0070/B 30
1250 304 172	145.842		0020 13	1250 304 233	154.056	000 262 1023	0080/B 25
1250 304 172	145.842		0030 17	1250 304 233	154.056	000 262 1023	0080/C 31
1250 304 173	145.843		0020 20	1250 304 234	155.077	343 262 0527	0020 16
1250 304 173	145.843		0030 23	1250 304 234	155.077	343 262 0527	0020 16
1250 304 178	145.198	343 262 0114	0020 13	1250 304 234	155.077	343 262 0527	0050 16
1250 304 178	145.198	343 262 0114	0020 13	1250 304 234	155.077	343 262 0527	0050 16
1250 304 178	145.198	343 262 0114	0030 17	1250 304 234	155.077	343 262 0527	0070/A 15
1250 304 178	145.198	343 262 0114	0030 17	1250 304 235	155.078	000 262 1527	0020 25
1250 304 179	145.199	343 262 0113	0020 20	1250 304 235	155.078	000 262 1527	0020 25
1250 304 179	145.199	343 262 0113	0020 20	1250 304 236	154.054	000 262 1123	0020 26
1250 304 179	145.199	343 262 0113	0030 23	1250 304 236	154.054	000 262 1123	0020 26
1250 304 179	145.199	343 262 0113	0030 23	1250 304 236	154.054	000 262 1123	0050 26
1250 304 185	155.076	343 262 0427	0020 7	1250 304 236	154.054	000 262 1123	0050 26

All original equipment manufacturers numbers, symbols, pictures, models and description used in this catalogue are for reference only, and it is not implied that any part listed is the product of these manufactures.
Tutti i nostri particolari non sono originali ma con essi intercambiabili. I riferimenti originali, le figure, i modelli sono esposti a semplice titolo indicativo. La nostra produzione riporta il nostro marchio.

ZF Index

ZF no.	CEI no.	MB no.	Tav. Fig.	ZF no.	CEI no.	MB no.	Tav. Fig.
1250 304 240	145.201	336 262 0011	0020 30	1250 304 401	155.062	000 262 2935	0030 30
1250 304 240	145.201	336 262 0011	0020 30	1250 304 404	145.841		0020 10
1250 304 240	145.201	336 262 0011	0030 33	1250 304 404	145.841		0030 14
1250 304 256	145.440	000 262 0414	0030 17	1250 304 417	119.080	000 262 1934	0010 6
1250 304 257	145.422	000 262 0413	0030 23	1250 304 417	119.080	000 262 1934	0040 6
1250 304 292	109.031	336 262 0240	0030 10	1250 304 417	119.080	000 262 1934	0080/A 9
1250 304 292	109.031	336 262 0240	0060 10	1250 304 417	119.080	000 262 1934	0090/A 9
1250 304 292	109.031	336 262 0240	0060 10	1250 304 440	154.100	000 262 3723	0020 6
1250 304 292	109.031	336 262 0240	0070/B 7	1250 304 440	154.100	000 262 3723	0050 6
1250 304 293	See	1272 304 077		1250 304 440	154.100	000 262 3723	0070/A 8
1250 304 299	145.848		0030 14	1250 304 441	154.101	000 262 3823	0020 15
1250 304 305	145.421	000 262 0615	0030 14	1250 304 441	154.101	000 262 3823	0050 15
1250 304 306	154.057	343 262 0423	0020 15	1250 304 441	154.101	000 262 3823	0070/A 16
1250 304 312	See	1250 304 351		1250 304 443	145.852		0030 23
1250 304 315	See	1250 304 226		1250 304 444	145.851		0030 17
1250 304 350	109.029	000 262 0240	0030 28	1250 304 446			0020 30
1250 304 350	109.029	000 262 0240	0060 28	1250 304 448			0020 24
1250 304 351	109.022	000 262 0340	0030 19	1250 304 451			0020 25
1250 304 351	109.022	000 262 0340	0060 19	1250 304 453			0020 20
1250 304 351	109.022	000 262 0340	0070/B 20	1250 304 454	155.226	000 262 2427	0020 16
1250 304 351	109.022	000 262 0340	0080/C 21	1250 304 454	155.226	000 262 2427	0050 16
1250 304 351	109.022	000 262 0340	0090/B 21	1250 304 461			0020 10
1250 304 352	See	1250 304 292		1250 304 472	119.055		0030 29
1250 304 362	154.053	000 262 2323	0020 6	1250 304 472	119.055		0060 29
1250 304 362	154.053	000 262 2323	0020 6	1250 304 473	103.048	000 262 2305	0020 22
1250 304 362	154.053	000 262 2323	0050 6	1250 304 473	103.048	000 262 2305	0030 25
1250 304 362	154.053	000 262 2323	0050 6	1250 304 473	103.048	000 262 2305	0050 22
1250 304 362	154.053	000 262 2323	0070/A 8	1250 304 473	103.048	000 262 2305	0060 25
1250 304 384	145.197	000 262 1515	0020 10	1250 304 473	103.048	000 262 2305	0060 25
1250 304 384	145.197	000 262 1515	0020 10	1250 304 474	103.041	000 262 2405	0020 22
1250 304 388	103.040	000 262 1405	0020 22	1250 304 474	103.041	000 262 2405	0030 25
1250 304 388	103.040	000 262 1405	0030 25	1250 304 474	103.041	000 262 2405	0050 22
1250 304 388	103.040	000 262 1405	0050 22	1250 304 474	103.041	000 262 2405	0060 25
1250 304 388	103.040	000 262 1405	0060 25	1250 304 474	103.041	000 262 2405	0060 25
1250 304 388	103.040	000 262 1405	0060 25	1250 304 487			0020 13
1250 304 389	See	1272 304 136		1250 304 488			0020 13
1250 304 391	119.164	000 262 1634	0030 29	1250 304 490			0020 10
1250 304 391	119.164	000 262 1634	0060 29	1250 304 502	145.846	000 262 4015	0030 14
1250 304 396	155.061	000 262 3035	0030 21	1250 304 513	145.847		0030 14
1250 304 396	155.061	000 262 3035	0060 21	1250 304 514	145.844		0030 14
1250 304 398	145.853		0030 23	1250 305 003	107.072	343 263 0030	0020 48
1250 304 399	145.850		0030 17	1250 305 003	107.072	343 263 0030	0030 51
1250 304 400	145.845		0030 14	1250 305 003	107.072	343 263 0030	0050 48

All original equipment manufacturers' numbers, symbols, pictures, models and description used in this catalogue are for reference only, and it is not implied that any part listed is the product of these manufactures. Tutti i nostri particolari non sono originali ma con essi intercambiabili. I riferimenti originali, le figure, i modelli sono esposti a semplice titolo indicativo. La nostra produzione riporta il nostro marchio.

Date

05 / 2006

Table

Index

ZF no.	CEI no.	MB no.	Tav. Fig.	ZF no.	CEI no.	MB no.	Tav. Fig.
1250 305 003	107.072	343 263 0030	0060 51	1250 312 366	109.037	000 264 0846	0080/A 8
1250 305 004	See	1250 305 033		1250 312 366	109.037	000 264 0846	0090/A 8
1250 305 006	169.443	000 263 0650	0020 47	1257 304 020	154.051	336 262 0023	0030 31
1250 305 006	169.443	000 263 0650	0030 50	1257 304 020	154.051	336 262 0023	0060 31
1250 305 006	169.443	000 263 0650	0050 47	1257 304 021	See	1240 304 375	
1250 305 006	169.443	000 263 0650	0060 50	1268 202 009	102.376		0060 2
1250 305 007	See	1250 305 033		1268 203 001	105.042	000 260 0124	0050 43
1250 305 033	147.065	000 263 0931	0020 45	1268 203 001	105.042	000 260 0124	0060 46
1250 305 033	147.065	000 263 0931	0030 52	1268 203 055	See	1268 203 001	
1250 306 148	See	1272 334 003		1268 203 061	105.190		0060 46
1250 312 077			0010 4	1268 204 003	See	1268 304 213	
1250 312 083			0010 4	1268 204 006	See	1268 304 213	
1250 312 086	See	1250 312 323		1268 204 018	See	1268 304 213	
1250 312 087	See	1250 312 366		1268 298 903	198.419		0040 23
1250 312 088	See	1250 312 364		1268 298 903	198.419		0050 49
1250 312 124			0010 15	1268 298 903	198.419		0060 56
1250 312 126	105.040	366 264 0105	0010 15	1268 298 904	198.420		0040 24
1250 312 130	105.041	336 264 0205	0010 15	1268 298 904	198.420		0050 50
1250 312 159	See	1250 312 270		1268 298 904	198.420		0060 57
1250 312 161	146.123	366 262 0310	0010 4	1268 298 938	198.339		0010 20
1250 312 171	102.165	336 264 0106	0010 2	1268 298 938	198.339		0030 53
1250 312 171	102.165	336 264 0106	0040 2	1268 298 938	198.339		0040 20
1250 312 172			0010 2	1268 298 938	198.339		0060 53
1250 312 172			0040 2	1268 298 938	198.339		0070/B 52
1250 312 239	See	1250 312 270		1268 298 938	198.339		0080/A 23
1250 312 247	103.049	000 264 1706	0010 2	1268 298 938	198.339		0080/C 50
1250 312 247	103.049	000 264 1706	0040 2	1268 298 938	198.339		0090/A 23
1250 312 266			0010 17	1268 298 938	198.339		0090/B 50
1250 312 270	146.124	000 262 1510	0010 17	1268 302 001	102.079	000 262 1302	0050 2
1250 312 271			0010 17	1268 302 001	102.079	000 262 1302	0060 2
1250 312 291	102.145		0010 2	1268 302 007	See	1268 302 047	
1250 312 291	102.145		0040 2	1268 302 015	See	1268 302 132	
1250 312 308			0010 15	1268 302 042	102.078	000 262 1202	0050 2
1250 312 323	155.090	000 262 3635	0010 7	1268 302 042	102.078	000 262 1202	0060 2
1250 312 323	155.090	000 262 3635	0040 7	1268 302 044	102.369		0050 2
1250 312 323	155.090	000 262 3635	0080/A 11	1268 302 047	102.199	000 262 2602	0050 2
1250 312 323	155.090	000 262 3635	0090/A 11	1268 302 047	102.199	000 262 2602	0060 2
1250 312 364	109.038	000 264 0746	0010 12	1268 302 048	102.371		0050 2
1250 312 364	109.038	000 264 0746	0040 12	1268 302 048	102.371		0060 2
1250 312 364	109.038	000 264 0746	0080/A 16	1268 302 049	102.372		0050 2
1250 312 364	109.038	000 264 0746	0090/A 16	1268 302 049	102.372		0060 2
1250 312 366	109.037	000 264 0846	0010 5	1268 302 079	102.383		0060 2
1250 312 366	109.037	000 264 0846	0040 5	1268 302 094	102.375		0060 2

All original equipment manufacturers numbers, symbols, pictures, models and description used in this catalogue are for reference only, and it is not implied that any part listed is the product of these manufactures.
Tutti i nostri particolari non sono originali ma con essi intercambiabili. I riferimenti originali, le figure, i modelli sono esposti a semplice titolo indicativo. La nostra produzione riporta il nostro marchio.

ZF Index

ZF no.	CEI no.	MB no.	Tav.	Fig.	ZF no.	CEI no.	MB no.	Tav.	Fig.
1268 302 095	102.378		0060	2	1268 303 074	146.603		0060	43
1268 302 098	102.373		0050	2	1268 303 078	See	1268 203 001		
1268 302 104	102.185	000 262 9902	0050	2	1268 303 084	146.601		0060	43
1268 302 104	102.185	000 262 9902	0060	2	1268 303 085	146.606		0060	44
1268 302 109	102.374		0060	2	1268 303 086	143.132		0060	45
1268 302 110	102.377		0060	2	1268 303 093	146.281	000 263 2910	0060	43
1268 302 124	102.370		0050	2	1268 303 094	146.604		0060	44
1268 302 126	102.220	001 262 1202	0050	2	1268 303 095	143.130		0060	45
1268 302 127	102.379		0060	2	1268 303 096	146.280	000 263 1815	0060	44
1268 302 132	102.155	000 262 4702	0050	2	1268 303 097	143.073	000 263 2013	0060	45
1268 302 132	102.155	000 262 4702	0060	2	1268 304 001	See	1268 304 256		
1268 302 164	102.181	001 262 4302	0060	2	1268 304 002	See	1268 304 204		
1268 302 167	102.380		0060	2	1268 304 003	145.215	000 262 0613	0050	20
1268 303 003	See	1268 303 056			1268 304 003	145.215	000 262 0613	0050	20
1268 303 004	146.106	000 263 0815	0050	41	1268 304 003	145.215	000 262 0613	0060	23
1268 303 004	146.106	000 263 0815	0060	44	1268 304 004	145.214	000 262 0714	0050	13
1268 303 005	143.039	000 263 0713	0050	42	1268 304 004	145.214	000 262 0714	0050	13
1268 303 005	143.039	000 263 0713	0060	45	1268 304 004	145.214	000 262 0714	0060	17
1268 303 006	143.038	000 263 0613	0050	42	1268 304 005	145.213	000 262 0915	0050	10
1268 303 006	143.038	000 263 0613	0060	45	1268 304 005	145.213	000 262 0915	0050	10
1268 303 007	146.208		0050	41	1268 304 006	155.081	000 262 0827	0050	25
1268 303 007	146.208		0060	44	1268 304 006	155.081	000 262 0827	0050	25
1268 303 008	See	1268 303 057			1268 304 007	See	1268 304 150		
1268 303 009	See	1268 303 059			1268 304 008	147.072	000 262 1111	0050	34
1268 303 010	146.599		0050	41	1268 304 008	147.072	000 262 1111	0060	37
1268 303 010	146.599		0060	44	1268 304 009	145.210	000 262 0513	0050	20
1268 303 011	143.129		0050	42	1268 304 009	145.210	000 262 0513	0050	20
1268 303 011	143.129		0060	45	1268 304 009	145.210	000 262 0513	0060	23
1268 303 012	146.105	000 263 0715	0050	41	1268 304 010	145.208	000 262 0614	0050	13
1268 303 012	146.105	000 263 0715	0060	44	1268 304 010	145.208	000 262 0614	0050	13
1268 303 031	See	1268 303 058			1268 304 010	145.208	000 262 0614	0060	17
1268 303 032	See	1268 203 001			1268 304 011	See	1268 304 094		
1268 303 038	146.607	000 263 1315	0060	44	1268 304 012	145.854		0050	10
1268 303 039	143.133	000 263 1113	0060	45	1268 304 013	145.857		0050	13
1268 303 056	146.107	000 263 1510	0050	40	1268 304 013	145.857		0060	17
1268 303 056	146.107	000 263 1510	0060	43	1268 304 014	145.860		0050	20
1268 303 057	146.108	000 263 1410	0050	40	1268 304 014	145.860		0060	23
1268 303 057	146.108	000 263 1410	0060	43	1268 304 015	145.209	000 262 0815	0050	10
1268 303 058	146.602	000 263 2310	0060	43	1268 304 015	145.209	000 262 0815	0060	14
1268 303 059	146.598		0050	40	1268 304 018	145.880	000 262 1113	0060	23
1268 303 059	146.598		0060	43	1268 304 040	145.871		0060	14
1268 303 072	143.134		0060	45	1268 304 041	145.875	000 262 1314	0060	17
1268 303 073	146.608		0060	44	1268 304 094	145.274		0050	10

Date

05 / 2006

Table

Index

ZF no.	CEI no.	MB no.	Tav. Fig.	ZF no.	CEI no.	MB no.	Tav. Fig.
1268 304 094	145.274		0050 10	1268 304 267	145.861		0050 20
1268 304 136	155.102	000 262 0745	0020 36	1268 304 268	145.858		0050 13
1268 304 136	155.102	000 262 0745	0030 39	1268 304 269	145.855		0050 10
1268 304 136	155.102	000 262 0745	0050 36	1268 304 273	145.882		0060 27
1268 304 136	155.102	000 262 0745	0060 39	1268 304 274	103.107	000 262 3305	0060 25
1268 304 141	117.238	000 262 1150	0060 16	1268 304 287	145.867		0060 14
1268 304 142	109.127	000 262 0740	0060 5	1268 304 290	See	1268 304 015	
1268 304 142	109.127	000 262 0740	0060 5	1268 304 292	145.866		0060 14
1268 304 143	155.178	000 262 1835	0060 8	1268 304 372	145.868		0060 14
1268 304 148	197.067	000 264 1445	0020 36	1268 304 373	145.870		0060 14
1268 304 148	197.067	000 264 1445	0050 36	1268 304 535	145.438		0060 14
1268 304 148	197.067	000 264 1445	0060 39	1268 304 536	145.360	000 262 4515	0060 14
1268 304 150	155.091	000 262 3135	0060 30	1268 304 537	109.126	000 262 3640	0060 5
1268 304 159	See	1268 304 213		1268 304 538	109.111	000 262 3740	0060 10
1268 304 166	145.881		0060 23	1268 305 003	See	1268 305 009	
1268 304 167	145.876		0060 17	1268 305 009	147.071	343 263 0062	0050 45
1268 304 168	145.872		0060 14	1268 305 009	147.071	343 263 0062	0060 52
1268 304 198	109.398		0060 10	1268 305 092	See	1269 304 003	
1268 304 204	145.211	000 262 2112	0050 24	1268 312 003	146.162	000 262 0110	0040 4
1268 304 204	145.211	000 262 2112	0050 24	1268 312 005	See	1268 312 124	
1268 304 204	145.211	000 262 2112	0060 27	1268 312 009	102.102	000 264 0805	0040 15
1268 304 213	145.212	000 262 4611	0050 30	1268 312 010	146.392	000 262 0210	0040 4
1268 304 213	145.212	000 262 4611	0050 30	1268 312 013	See	1250 312 247	
1268 304 227	See	1268 304 256		1268 312 025	See	1268 312 052	
1268 304 229	145.869		0060 14	1268 312 051	146.166	000 262 1310	0040 17
1268 304 230	145.439		0060 17	1268 312 052	146.304	000 262 1410	0040 17
1268 304 231	145.879		0060 23	1268 312 055	146.163	000 262 1810	0040 17
1268 304 235	145.862	000 262 5113	0050 20	1268 312 057	141.146	000 264 0749	0010 19
1268 304 237	145.859	000 262 3514	0050 13	1268 312 057	141.146	000 264 0749	0040 19
1268 304 244	145.863	000 262 4312	0050 24	1268 312 113	102.198	000 264 3706	0040 2
1268 304 245	145.864	000 262 7411	0050 30	1268 312 124	102.083	000 264 0705	0040 15
1268 304 246	155.227	000 262 2327	0050 25	1268 312 128	102.228		0040 2
1268 304 247	145.492		0060 14	1268 312 139	105.098		0040 15
1268 304 247	145.492		0060 14	1268 312 142	105.097		0040 15
1268 304 247	See	77 01 007 805		1269 202 027	See	1269 202 104	
1268 304 248	145.873		0060 17	1269 202 087	See	1295 202 041	
1268 304 249	145.877		0060 23	1269 202 104	280.303	000 260 1090	0070/A 1
1268 304 250	145.493		0060 14	1269 202 104	280.303	000 260 1090	0070/B 1
1268 304 250	See	77 01 007 805		1269 202 104	280.303	000 260 1090	0080/A 1
1268 304 251	145.356	000 262 2915	0060 17	1269 202 104	280.303	000 260 1090	0080/B 1
1268 304 252	145.357	000 262 2713	0060 23	1269 202 104	280.303	000 260 1090	0080/C 1
1268 304 256	146.125	000 262 4111	0060 33	1269 202 104	280.303	000 260 1090	0090/A 1
1268 304 262	145.856	000 262 3515	0050 10	1269 202 104	280.303	000 260 1090	0090/B 1

All original equipment manufacturers numbers, symbols, pictures, models and description used in this catalogue are for reference only, and it is not implied that any part listed is the product of these manufactures.
Tutti i nostri particolari non sono originali ma con essi intercambiabili. I riferimenti originali, le figure, i modelli sono esposti a semplice titolo indicativo. La nostra produzione riporta il nostro marchio.

ZF Index

ZF no.	CEI no.	MB no.	Tav. Fig.	ZF no.	CEI no.	MB no.	Tav. Fig.
1269 202 909	See	1269 202 913		1269 298 938	102.135	000 260 1720	0080/C 2
1269 202 913	190.185	000 260 1120	0080/B 3	1269 298 938	102.135	000 260 1720	0090/B 3
1269 202 913	190.185	000 260 1120	0080/C 3	1269 298 939	102.386		0080/B 5
1269 212 006	190.150	000 260 0920	0080/A 3	1269 298 939	102.386		0080/C 5
1269 212 006	190.150	000 260 0920	0090/A 3	1269 298 939	102.386		0090/B 5
1269 212 013	102.384	000 260 1020	0080/A 5	1269 298 942	190.198	000 260 1820	0090/B 3
1269 212 901	See	1269 298 909		1269 298 951			0080/A 22
1269 232 019	See	1269 232 041		1269 298 951			0090/A 22
1269 232 034	See	1269 232 037		1269 298 957	See	1269 298 958	
1269 232 037	190.403	000 260 2861	0080/D 2	1269 298 958	198.414	000 262 0606	0080/D 9
1269 232 037	190.403	000 260 2861	0090/C 2	1269 298 958	198.414	000 262 0606	0090/C 9
1269 232 041	190.402	000 260 3961	0080/D 1	1269 298 960	298.034	000 262 0806	0080/D 35
1269 232 041	190.402	000 260 3961	0090/C 1	1269 298 962	298.035	000 262 1006	0080/D 35
1269 233 002	See	1269 233 010		1269 298 966	298.036	002 981 2581	0080/D 39
1269 233 009	See	1269 233 010		1269 298 966	298.036	002 981 2581	0090/C 44
1269 233 010	135.060	000 262 2037	0080/D 17	1269 298 978	198.757		0070/C 31
1269 233 010	135.060	000 262 2037	0090/C 17	1269 298 979	198.515		0080/D 30B
1269 233 012	135.111	000 262 3340	0080/D 17	1269 298 979	198.515		0090/C 30B
1269 233 012	135.111	000 262 3340	0090/C 17	1269 298 980	198.717		0080/D 30C
1269 237 012	190.405	000 260 0861	0080/D 34	1269 298 980	198.717		0090/C 30C
1269 237 012	190.405	000 260 0861	0090/C 35	1269 302 094	See	1269 202 913	
1269 237 013	190.404	000 260 0761	0080/D 34	1269 302 153	See	1269 202 913	
1269 237 902			0090/C 37	1269 302 166	See	1269 298 902	
1269 238 015	197.137	000 260 0817	0070/C 45	1269 303 005	See	1269 303 053	
1269 238 015	197.137	000 260 0817	0080/D 38	1269 303 006	143.054	000 263 0413	0080/B 36
1269 238 015	197.137	000 260 0817	0090/C 43	1269 303 006	143.054	000 263 0413	0080/C 44
1269 298 902	102.385		0080/B 3	1269 303 040	See	1269 303 041	
1269 298 902	102.385		0080/C 3	1269 303 041	105.056	000 263 1302	0080/B 37
1269 298 908	102.129	000 262 6602	0080/B 3	1269 303 041	105.056	000 263 1302	0080/C 45
1269 298 908	102.129	000 262 6602	0080/C 3	1269 303 053	143.053	000 263 0914	0080/B 35
1269 298 909	190.151	000 264 2205	0080/A 19	1269 303 053	143.053	000 263 0914	0080/C 43
1269 298 909	190.151	000 264 2205	0090/A 19	1269 304 003	117.153	000 262 0350	0080/B 12
1269 298 928	198.421		0080/A 26	1269 304 003	117.153	000 262 0350	0080/C 18
1269 298 928	198.421		0080/B 42	1269 304 004	117.154	000 262 0450	0080/C 36
1269 298 928	198.421		0080/C 53	1269 304 006	See	1269 304 131	
1269 298 928	198.421		0090/A 26	1269 304 011	See	1269 304 128	
1269 298 928	198.421		0090/B 53	1269 304 013	See	1269 304 129	
1269 298 933	198.422		0080/A 27	1269 304 016	155.136	000 262 1027	0080/B 15
1269 298 933	198.422		0080/B 43	1269 304 017	154.095	000 262 1423	0080/B 16
1269 298 933	198.422		0080/C 54	1269 304 018	157.101	000 262 1127	0080/B 7
1269 298 933	198.422		0090/A 27	1269 304 021	See	1269 304 132	
1269 298 933	198.422		0090/B 54	1269 304 023	See	1269 304 137	
1269 298 938	102.135	000 260 1720	0080/B 3	1269 304 055	See	1286 304 022	

Date

05 / **2006**

Table

Index

ZF no.	CEI no.	MB no.	Tav. Fig.	ZF no.	CEI no.	MB no.	Tav. Fig.
1269 304 060	103.194	000 262 1005	0080/B 21	1269 312 050	See	1269 312 049	
1269 304 060	103.194	000 262 1005	0080/C 27	1269 321 048	See	1269 298 908	
1269 304 061	103.065	000 262 0905	0080/B 21	1269 328 234	160.126	000 263 0140	0080/D 22
1269 304 061	103.065	000 262 0905	0080/C 27	1269 328 234	160.126	000 263 0140	0090/C 22
1269 304 068	145.247	000 262 1511	0080/B 28	1269 328 245	See	1269 328 254	
1269 304 068	145.247	000 262 1511	0080/C 34	1269 328 254	119.041	000 262 0734	0080/D 18
1269 304 069	154.090	000 262 1523	0080/B 8	1269 328 254	119.041	000 262 0734	0090/C 18
1269 304 070	188.212	000 262 2362	0080/B 32	1269 328 289	119.079	000 262 2234	0080/D 18
1269 304 070	188.212	000 262 2362	0080/C 39	1269 328 289	119.079	000 262 2234	0090/C 18
1269 304 070	188.212	000 262 2362	0090/B 39	1269 328 291	119.103	000 262 3534	0080/D 18
1269 304 071	157.081	000 262 0927	0080/B 24	1269 328 291	119.103	000 262 3534	0090/C 18
1269 304 071	157.081	000 262 0927	0080/C 30	1269 332 020	123.145	000 264 1721	0080/D 16
1269 304 072	145.246	000 262 1411	0080/B 23	1269 332 020	123.145	000 264 1721	0090/C 16
1269 304 072	145.246	000 262 1411	0080/C 29	1269 332 025	See	1269 332 036	
1269 304 128	157.079	000 262 2735	0080/C 11	1269 332 036	107.089	000 264 1618	0080/D 3
1269 304 129	157.080	000 262 2635	0080/C 23	1269 332 036	107.089	000 264 1618	0090/C 3
1269 304 131	145.244	000 262 1112	0080/B 13	1269 332 050	107.208	000 264 2918	0080/D 3
1269 304 131	145.244	000 262 1112	0080/C 19	1269 332 050	107.208	000 264 2918	0090/C 3
1269 304 132	145.245	000 262 2511	0080/B 20	1269 332 054	150.113	000 262 0325	0080/D 14
1269 304 132	145.245	000 262 2511	0080/C 25	1269 332 054	150.113	000 262 0325	0090/C 14
1269 304 137	109.021	000 262 1736	0060 10	1269 332 055	123.163	000 264 2821	0080/D 13
1269 304 137	109.021	000 262 1736	0060 10	1269 332 055	123.163	000 264 2821	0090/C 13
1269 304 137	109.021	000 262 1736	0080/C 8	1269 333 011	See	1269 333 048	
1269 304 139	145.243	000 262 1513	0080/B 10	1269 333 017	See	1269 333 057	
1269 304 139	145.243	000 262 1513	0080/C 16	1269 333 018	See	1269 333 047	
1269 304 196	109.078	000 262 1240	0090/B 8	1269 333 024	See	1269 333 047	
1269 304 197	117.231	000 262 1750	0090/B 18	1269 333 025	See	1269 333 048	
1269 305 003	107.088	000 263 0530	0070/A 44	1269 333 043	See	1269 333 057	
1269 305 003	107.088	000 263 0530	0070/B 51	1269 333 045	See	1269 333 048	
1269 305 003	107.088	000 263 0530	0080/B 41	1269 333 047	154.031	000 262 4123	0080/D 20
1269 305 003	107.088	000 263 0530	0080/C 49	1269 333 047	154.031	000 262 4123	0090/C 20
1269 305 003	107.088	000 263 0530	0090/B 49	1269 333 048	109.020	000 262 1537	0080/D 21
1269 305 004	See	1269 305 005		1269 333 048	109.020	000 262 1537	0090/C 21
1269 305 005	147.084	000 263 1031	0080/B 40	1269 333 056	109.120	000 262 3240	0080/D 21
1269 305 005	147.084	000 263 1031	0080/C 48	1269 333 056	109.120	000 262 3240	0090/C 21
1269 312 005	145.255	000 262 1710	0080/A 7	1269 333 057	157.115	000 263 0835	0080/D 19
1269 312 005	145.255	000 262 1710	0090/A 7	1269 333 057	157.115	000 263 0835	0090/C 19
1269 312 010	See	1269 212 006		1269 336 001	See	1269 336 026	
1269 312 017	See	1269 298 909		1269 336 026	145.885	000 264 2321	0080/D 40
1269 312 023	See	1269 212 013		1269 336 026	145.885	000 264 2321	0090/C 45
1269 312 025	See	1269 312 049		1269 336 027	107.209	000 264 3018	0080/D 41
1269 312 049	146.186	000 263 5110	0080/A 21	1269 336 027	107.209	000 264 3018	0090/C 46
1269 312 049	146.186	000 263 5110	0090/A 21	1269 337 036		000 264 2018	0090/C 39

All original equipment manufacturers numbers, symbols, pictures, models and description used in this catalogue are for reference only, and it is not implied that any part listed is the product of these manufactures.
Tutti i nostri particolari non sono originali ma con essi intercambiabili. I riferimenti originali, le figure, i modelli sono esposti a semplice titolo indicativo. La nostra produzione riporta il nostro marchio.

ZF Index

ZF no.	CEI no.	MB no.	Tav.	Fig.	ZF no.	CEI no.	MB no.	Tav.	Fig.
1269 338 020	155.113	000 264 0945	0050	36	1272 302 028	See	1272 298 904		
1269 338 020	155.113	000 264 0945	0060	39	1272 302 029	See	1272 298 903		
1269 338 020	155.113	000 264 0945	0080/D	26	1272 302 095	See	1272 298 909		
1269 338 020	155.113	000 264 0945	0090/C	26	1272 302 097	See	1272 298 914		
1269 338 026	155.167		0080/D	26	1272 302 110	See	1272 298 917		
1269 338 026	155.167		0090/C	26	1272 302 112	See	1272 298 918		
1269 338 028	155.132	000 264 0845	0030	39	1272 303 025	146.207	000 263 2410	0070/A	36
1269 338 028	155.132	000 264 0845	0050	36	1272 303 025	146.207	000 263 2410	0070/B	43
1269 338 028	155.132	000 264 0845	0060	39	1272 303 026	143.065	000 263 1213	0070/A	38
1269 338 028	155.132	000 264 0845	0080/D	26	1272 303 026	143.065	000 263 1213	0070/B	45
1269 338 028	155.132	000 264 0845	0090/C	26	1272 303 027	146.206	000 263 1313	0070/A	37
1269 338 035	197.139	000 262 3002	0080/D	37	1272 303 027	146.206	000 263 1313	0070/B	44
1269 338 035	197.139	000 262 3002	0090/C	42	1272 303 040	105.061	000 263 3002	0070/B	46
1269 339 003	154.369	000 262 1323	0080/D	32	1272 303 041	143.066	000 263 2513	0070/B	45
1269 339 003	154.369	000 262 1323	0090/C	33	1272 303 042	146.214	000 263 2613	0070/B	44
1269 339 015	157.705	000 262 1210	0080/D	36	1272 304 021	188.076	000 262 2762	0070/A	32
1269 339 024	101.142	000 262 5802	0080/D	31	1272 304 021	188.076	000 262 2762	0070/B	38
1269 339 025	101.143	000 262 5902	0080/D	31	1272 304 058	103.077	000 262 1505	0070/A	21
1269 339 025	101.143	000 262 5902	0090/C	32	1272 304 058	103.077	000 262 1505	0070/B	26
1269 339 048	155.228		0070/C	32	1272 304 060	See	1272 304 079		
1269 339 048	197.138	000 260 0717	0080/D	42	1272 304 065	103.078	000 262 1605	0070/A	21
1269 339 048	197.138	000 260 0717	0090/C	31	1272 304 065	103.078	000 262 1605	0070/B	26
1272 232 011	See	1272 232 014			1272 304 066	117.204	000 262 1553	0070/B	36
1272 232 014	190.399	000 260 1661	0070/C	2	1272 304 069	See	1272 304 139		
1272 237 007	190.401	000 260 1061	0070/C	36	1272 304 070	See	1272 304 080		
1272 237 008	190.400	000 260 1161	0070/C	36	1272 304 075	155.123	000 262 2135	0070/B	22
1272 298 903	102.133	000 262 6202	0070/B	5	1272 304 076	119.042	000 262 1334	0030	6
1272 298 904	190.202	000 262 6102	0070/A	3	1272 304 076	119.042	000 262 1334	0030	20
1272 298 904	190.202	000 262 6102	0070/B	3	1272 304 076	119.042	000 262 1334	0060	6
1272 298 907	102.134	000 262 8402	0070/A	5	1272 304 076	119.042	000 262 1334	0060	20
1272 298 909	190.187	000 262 9202	0070/B	3	1272 304 076	119.042	000 262 1334	0070/B	8
1272 298 911	190.398		0070/A	3	1272 304 076	119.042	000 262 1334	0070/B	21
1272 298 914	102.381	000 262 9802	0070/A	5	1272 304 076	119.042	000 262 1334	0080/C	9
1272 298 915	102.132	001 262 0002	0070/B	3	1272 304 076	119.042	000 262 1334	0080/C	22
1272 298 917	102.382		0070/B	3	1272 304 076	119.042	000 262 1334	0090/B	9
1272 298 918	190.204	001 262 0502	0070/B	3	1272 304 076	119.042	000 262 1334	0090/B	22
1272 298 921	298.030		0070/A	46	1272 304 077	154.032	000 262 1923	0030	9
1272 298 921	298.030		0070/B	56	1272 304 077	154.032	000 262 1923	0030	22
1272 298 922	298.029		0070/A	45	1272 304 077	154.032	000 262 1923	0060	9
1272 298 922	298.029		0070/B	55	1272 304 077	154.032	000 262 1923	0060	22
1272 298 925	198.449	000 262 0006	0070/C	9	1272 304 077	154.032	000 262 1923	0070/B	10
1272 298 926	298.032	000 262 0106	0070/C	38	1272 304 077	154.032	000 262 1923	0070/B	23
1272 298 927	298.031	000 262 0206	0070/C	37	1272 304 077	154.032	000 262 1923	0080/C	15

All original equipment manufacturers' numbers, symbols, pictures, models and description used in this catalogue are for reference only, and it is not implied that any part listed is the product of these manufactures. Tutti i nostri particolari non sono originali ma con essi intercambiabili. I riferimenti originali, le figure, i modelli sono esposti a semplice titolo indicativo. La nostra produzione riporta il nostro marchio.

Date

05 / 2006

Table

Index

ZF no.	CEI no.	MB no.	Tav. Fig.	ZF no.	CEI no.	MB no.	Tav. Fig.
1272 304 077	154.032	000 262 1923	0090/B 15	1272 334 003	141.061	000 268 0149	0030 41
1272 304 078	155.060	000 262 2235	0030 8	1272 334 003	141.061	000 268 0149	0060 41
1272 304 078	155.060	000 262 2235	0060 8	1272 334 003	141.061	000 268 0149	0070/A 34
1272 304 078	155.060	000 262 2235	0060 8	1272 334 003	141.061	000 268 0149	0070/B 40
1272 304 078	155.060	000 262 2235	0070/B 9	1272 334 003	141.061	000 268 0149	0080/C 40
1272 304 079	145.282	000 262 2811	0070/A 20	1272 334 003	141.061	000 268 0149	0090/B 40
1272 304 079	145.282	000 262 2811	0070/B 24	1272 336 004	See	1272 336 025	
1272 304 080	145.283	000 262 1212	0070/A 13	1272 336 023	107.207	000 264 2118	0070/C 44
1272 304 080	145.283	000 262 1212	0070/B 18	1272 336 025	145.884	000 264 2221	0070/C 42
1272 304 081	See	1272 304 139		1272 338 021	103.193	000 262 5202	0070/C 40
1272 304 119	145.315	000 262 5511	0070/A 20	1272 339 003	154.368	000 262 2223	0070/C 34
1272 304 121	145.314	000 262 2912	0070/A 13	1272 339 007	145.883	000 262 2410	0070/C 39
1272 304 123	145.313	000 262 3613	0070/A 10	1272 339 008	101.141	000 262 5302	0070/C 33
1272 304 124	155.143	000 262 1927	0020 7	1272 339 009	101.140	000 262 6002	0070/C 33
1272 304 124	155.143	000 262 1927	0050 7	1281 203 001	See	1283 303 002	
1272 304 124	155.143	000 262 1927	0070/A 7	1283 303 002	105.059	000 263 1602	0070/A 39
1272 304 125	155.153	000 262 2027	0070/A 15	1283 303 002	105.059	000 263 1602	0070/B 46
1272 304 130	155.142	000 262 4035	0070/B 22	1283 304 004	117.145	000 262 0750	0070/A 12
1272 304 131	145.288	000 262 3412	0070/B 18	1283 304 004	117.145	000 262 0750	0070/B 17
1272 304 132	145.290	000 262 6511	0070/B 24	1283 304 006	See	1283 304 022	
1272 304 133	145.291	000 262 6611	0070/B 28	1283 304 007	145.268	000 262 2211	0070/A 23
1272 304 134	145.284	000 262 4313	0070/B 15	1283 304 007	145.268	000 262 2211	0070/B 28
1272 304 135	155.141	000 262 4135	0070/B 9	1283 304 022	145.269	000 262 2411	0070/A 28
1272 304 136	109.028	000 262 1740	0030 5	1283 304 022	145.269	000 262 2411	0070/B 34
1272 304 136	109.028	000 262 1740	0060 5	1283 304 026	See	1283 304 004	
1272 304 136	109.028	000 262 1740	0060 5	1283 305 003	See	1283 305 004	
1272 304 136	109.028	000 262 1740	0070/B 7	1283 305 004	147.117	000 263 1331	0070/A 43
1272 304 136	109.028	000 262 1740	0070/B 11	1283 305 004	147.117	000 263 1331	0070/B 50
1272 304 139	145.155	000 262 4513	0070/A 10	1283 306 003	141.079	000 268 0249	0070/A 33
1272 304 139	145.155	000 262 4513	0070/B 15	1283 306 003	141.079	000 268 0249	0070/B 39
1272 304 165	119.162	000 262 6834	0030 20	1285 212 005	190.197	000 262 0101	0090/A 3
1272 304 166	119.163	000 262 8834	0030 6	1285 232 003	190.182	000 260 0661	0070/C 1
1272 304 166	119.163	000 262 8834	0060 6	1285 232 901	198.337	000 260 0397	0070/C 10
1272 304 166	119.163	000 262 8834	0060 20	1285 233 003	See	1285 233 007	
1272 304 166	119.163	000 262 8834	0070/B 8	1285 233 006	See	1285 233 007	
1272 304 166	119.163	000 262 8834	0070/B 21	1285 233 007	135.077	000 262 1937	0070/C 16
1272 304 166	119.163	000 262 8834	0080/C 9	1285 304 038	157.102	000 262 2210	0070/A 31
1272 304 166	119.163	000 262 8834	0080/C 22	1285 304 038	157.102	000 262 2210	0070/B 37
1272 304 166	119.163	000 262 8834	0090/B 9	1285 312 011	See	1285 212 005	
1272 304 166	119.163	000 262 8834	0090/B 22	1285 332 005	123.159	000 264 2021	0070/C 12
1272 333 014	See	1272 333 019		1285 332 006	150.109	000 264 1576	0070/C 14
1272 333 019	119.078	000 262 1434	0070/C 17	1285 332 011	107.100	000 264 1818	0070/C 3
1272 333 020	155.126	000 262 2335	0070/C 18	1285 332 016	See	1285 232 901	

All original equipment manufacturers numbers, symbols, pictures, models and description used in this catalogue are for reference only, and it is not implied that any part listed is the product of these manufacturers.
Tutti i nostri particolari non sono originali ma con essi intercambiabili. I riferimenti originali, le figure, i modelli sono esposti a semplice titolo indicativo. La nostra produzione riporta il nostro marchio.

ZF Index

ZF no.	CEI no.	MB no.	Tav. Fig.	ZF no.	CEI no.	MB no.	Tav. Fig.
1285 333 003	See	1272 333 020		1295 202 054	See	1295 202 041	
1285 333 004	See	1285 333 021		1295 298 933	198.842		0010 22
1285 333 007	160.127	000 262 0840	0070/C 20	1295 298 933	198.842		0030 55
1285 333 008	See	1285 333 020		1295 298 933	198.842		0040 22
1285 333 018	See	1285 333 021		1295 298 933	198.842		0060 55
1285 333 020	154.081	000 262 3923	0070/C 19	1295 298 933	198.842		0070/B 54
1285 333 021	109.066	000 262 1637	0070/C 27	1295 298 933	198.842		0080/A 25
1285 334 021	See	1285 334 023		1295 298 933	198.842		0080/C 52
1285 334 023	149.207	000 264 2424	0070/C 24	1295 298 933	198.842		0090/A 25
1285 338 004	155.138	000 262 1045	0070/C 29	1295 298 933	198.842		0090/B 52
1285 338 005	155.137	000 264 1545	0070/C 29	1295 306 132	141.068	000 268 0849	0020 17
1286 298 902	198.371	000 260 1197	0080/D 10	1295 306 132	141.068	000 268 0849	0020 38
1286 298 902	198.371	000 260 1197	0090/C 10	1295 306 132	141.068	000 268 0849	0050 17
1286 304 022	157.082	000 262 0910	0080/B 31	1295 306 132	141.068	000 268 0849	0050 38
1286 304 022	157.082	000 262 0910	0080/C 38	1295 306 132	141.068	000 268 0849	0070/A 34
1286 304 022	157.082	000 262 0910	0090/B 38	1295 306 132	141.068	000 268 0849	0070/B 41
1286 332 001	See	1286 298 902		1295 306 132	141.068	000 268 0849	0070/C 23
1292 303 004	105.062	000 260 0924	0090/B 45	1295 306 132	141.068	000 268 0849	0080/B 33
1292 303 005	143.067	000 263 2213	0090/B 43	1295 306 132	141.068	000 268 0849	0080/C 41
1292 303 006	143.068	000 263 2113	0090/B 44	1295 306 132	141.068	000 268 0849	0090/B 41
1292 304 017	145.261	000 262 4411	0090/B 34	1295 334 027	141.088	000 268 0549	0080/D 28
1292 304 018	145.262	000 262 4311	0090/B 29	1295 334 027	141.088	000 268 0549	0090/C 28
1292 304 025	154.102	000 262 3523	0090/B 31	1297 306 028	See	1295 306 132	
1292 304 026	157.117	000 262 1827	0090/B 30				
1292 304 027	117.205	000 262 1850	0090/B 36				
1292 304 035	103.108	000 262 2205	0090/B 27				
1292 304 041	157.095	000 262 3735	0090/B 11				
1292 304 045	145.294	000 262 5411	0090/B 25				
1292 304 046	145.293	000 262 2812	0090/B 19				
1292 304 047	145.272	000 262 3413	0090/B 16				
1292 304 052	157.116	000 262 3835	0090/B 23				
1292 304 053	See	1292 304 070					
1292 304 069	103.079	000 262 3905	0090/B 27				
1292 304 070		000 262 4005	0090/B 27				
1292 305 002	See	1292 305 004					
1292 305 004	147.095	000 263 1831	0090/B 48				
1295 202 041	280.348	000 260 1290	0070/A 1				
1295 202 041	280.348	000 260 1290	0070/B 1				
1295 202 041	280.348	000 260 1290	0080/A 1				
1295 202 041	280.348	000 260 1290	0080/B 1				
1295 202 041	280.348	000 260 1290	0080/C 1				
1295 202 041	280.348	000 260 1290	0090/A 1				
1295 202 041	280.348	000 260 1290	0090/B 1				

All original equipment manufacturers' numbers, symbols, pictures, models and description used in this catalogue are for reference only, and it is not implied that any part listed is the product of these manufactures. Tutti i nostri particolari non sono originali ma con essi intercambiabili. I riferimenti originali, le figure, i modelli sono esposti a semplice titolo indicativo. La nostra produzione riporta il nostro marchio.

Date

05 / 2006

Table

Index

CEI no.	ZF no.	MB no.	Tav.	Fig.	CEI no.	ZF no.	MB no.	Tav.	Fig.
101.140	1272 339 009	000 262 6002	0070/C	33	102.211	1250 302 378		0030	2
101.141	1272 339 008	000 262 5302	0070/C	33	102.220	1268 302 126	001 262 1202	0050	2
101.142	1269 339 024	000 262 5802	0080/D	31	102.228	1268 312 128		0040	2
101.143	1269 339 025	000 262 5902	0080/D	31	102.362	1250 302 287		0020	2
101.143	1269 339 025	000 262 5902	0090/C	32	102.362	1250 302 287		0030	2
102.073	1250 302 199	343 262 0102	0020	2	102.363	1250 302 187		0020	2
102.078	1268 302 042	000 262 1202	0050	2	102.363	1250 302 187		0030	2
102.078	1268 302 042	000 262 1202	0060	2	102.364	1250 302 452		0020	2
102.079	1268 302 001	000 262 1302	0050	2	102.365	1250 302 294		0020	2
102.079	1268 302 001	000 262 1302	0060	2	102.365	1250 302 294		0030	2
102.080	1250 302 196	366 262 0102	0020	2	102.366	1250 302 392		0030	2
102.080	1250 302 196	366 262 0102	0030	2	102.367	1250 302 186		0030	2
102.083	1268 312 124	000 264 0705	0040	15	102.368	1250 302 304		0030	2
102.102	1268 312 009	000 264 0805	0040	15	102.369	1268 302 044		0050	2
102.129	1269 298 908	000 262 6602	0080/B	3	102.370	1268 302 124		0050	2
102.129	1269 298 908	000 262 6602	0080/C	3	102.371	1268 302 048		0050	2
102.132	1272 298 915	001 262 0002	0070/B	3	102.371	1268 302 048		0060	2
102.133	1272 298 903	000 262 6202	0070/B	5	102.372	1268 302 049		0050	2
102.134	1272 298 907	000 262 8402	0070/A	5	102.372	1268 302 049		0060	2
102.135	1269 298 938	000 260 1720	0080/B	3	102.373	1268 302 098		0050	2
102.135	1269 298 938	000 260 1720	0080/C	2	102.374	1268 302 109		0060	2
102.135	1269 298 938	000 260 1720	0090/B	3	102.375	1268 302 094		0060	2
102.139	1250 302 303		0030	2	102.376	1268 202 009		0060	2
102.140	1250 302 192		0020	2	102.377	1268 302 110		0060	2
102.140	1250 302 192		0030	2	102.378	1268 302 095		0060	2
102.145	1250 312 291		0010	2	102.379	1268 302 127		0060	2
102.145	1250 312 291		0040	2	102.380	1268 302 167		0060	2
102.155	1268 302 132	000 262 4702	0050	2	102.381	1272 298 914	000 262 9802	0070/A	5
102.155	1268 302 132	000 262 4702	0060	2	102.382	1272 298 917		0070/B	3
102.160	1250 302 258	000 262 2502	0020	2	102.383	1268 302 079		0060	2
102.160	1250 302 258	000 262 2502	0030	2	102.384	1269 212 013	000 260 1020	0080/A	5
102.165	1250 312 171	336 264 0106	0010	2	102.385	1269 298 902		0080/B	3
102.165	1250 312 171	336 264 0106	0040	2	102.385	1269 298 902		0080/C	3
102.181	1268 302 164	001 262 4302	0060	2	102.386	1269 298 939		0080/B	5
102.185	1268 302 104	000 262 9902	0050	2	102.386	1269 298 939		0080/C	5
102.185	1268 302 104	000 262 9902	0060	2	102.386	1269 298 939		0090/B	5
102.188	1250 302 259		0020	2	103.040	1250 304 388	000 262 1405	0020	22
102.188	1250 302 259		0030	2	103.040	1250 304 388	000 262 1405	0030	25
102.198	1268 312 113	000 264 3706	0040	2	103.040	1250 304 388	000 262 1405	0050	22
102.199	1268 302 047	000 262 2602	0050	2	103.040	1250 304 388	000 262 1405	0060	25
102.199	1268 302 047	000 262 2602	0060	2	103.040	1250 304 388	000 262 1405	0060	25
102.200	1250 302 260	000 262 3402	0030	2	103.041	1250 304 474	000 262 2405	0020	22
102.210	1250 302 445		0030	2	103.041	1250 304 474	000 262 2405	0030	25

All original equipment manufacturers numbers, symbols, pictures, models and description used in this catalogue are for reference only, and it is not implied that any part listed is the product of these manufactures.
Tutti i nostri particolari non sono originali ma con essi intercambiabili. I riferimenti originali, le figure, i modelli sono esposti a semplice titolo indicativo. La nostra produzione riporta il nostro marchio.

CEI Index

CEI no.	ZF no.	MB no.	Tav. Fig.	CEI no.	ZF no.	MB no.	Tav. Fig.
103.041	1250 304 474	000 262 2405	0050 22	107.072	1250 305 003	343 263 0030	0030 51
103.041	1250 304 474	000 262 2405	0060 25	107.072	1250 305 003	343 263 0030	0050 48
103.041	1250 304 474	000 262 2405	0060 25	107.072	1250 305 003	343 263 0030	0060 51
103.048	1250 304 473	000 262 2305	0020 22	107.088	1269 305 003	000 263 0530	0070/A 44
103.048	1250 304 473	000 262 2305	0030 25	107.088	1269 305 003	000 263 0530	0070/B 51
103.048	1250 304 473	000 262 2305	0050 22	107.088	1269 305 003	000 263 0530	0080/B 41
103.048	1250 304 473	000 262 2305	0060 25	107.088	1269 305 003	000 263 0530	0080/C 49
103.048	1250 304 473	000 262 2305	0060 25	107.088	1269 305 003	000 263 0530	0090/B 49
103.049	1250 312 247	000 264 1706	0010 2	107.089	1269 332 036	000 264 1618	0080/D 3
103.049	1250 312 247	000 264 1706	0040 2	107.089	1269 332 036	000 264 1618	0090/C 3
103.065	1269 304 061	000 262 0905	0080/B 21	107.100	1285 332 011	000 264 1818	0070/C 3
103.065	1269 304 061	000 262 0905	0080/C 27	107.207	1272 336 023	000 264 2118	0070/C 44
103.076	1250 304 129	343 262 0105	0020 22	107.208	1269 332 050	000 264 2918	0080/D 3
103.076	1250 304 129	343 262 0105	0030 25	107.208	1269 332 050	000 264 2918	0090/C 3
103.076	1250 304 129	343 262 0105	0050 22	107.209	1269 336 027	000 264 3018	0080/D 41
103.076	1250 304 129	343 262 0105	0060 25	107.209	1269 336 027	000 264 3018	0090/C 46
103.076	1250 304 129	343 262 0105	0060 25	109.020	1269 333 048	000 262 1537	0080/D 21
103.077	1272 304 058	000 262 1505	0070/A 21	109.020	1269 333 048	000 262 1537	0090/C 21
103.077	1272 304 058	000 262 1505	0070/B 26	109.021	1269 304 137	000 262 1736	0060 10
103.078	1272 304 065	000 262 1605	0070/A 21	109.021	1269 304 137	000 262 1736	0060 10
103.078	1272 304 065	000 262 1605	0070/B 26	109.021	1269 304 137	000 262 1736	0080/C 8
103.079	1292 304 069	000 262 3905	0090/B 27	109.022	1250 304 351	000 262 0340	0030 19
103.107	1268 304 274	000 262 3305	0060 25	109.022	1250 304 351	000 262 0340	0060 19
103.108	1292 304 035	000 262 2205	0090/B 27	109.022	1250 304 351	000 262 0340	0070/B 20
103.193	1272 338 021	000 262 5202	0070/C 40	109.022	1250 304 351	000 262 0340	0080/C 21
103.194	1269 304 060	000 262 1005	0080/B 21	109.022	1250 304 351	000 262 0340	0090/B 21
103.194	1269 304 060	000 262 1005	0080/C 27	109.028	1272 304 136	000 262 1740	0030 5
105.038	1250 203 002	000 260 0224	0020 43	109.028	1272 304 136	000 262 1740	0060 5
105.038	1250 203 002	000 260 0224	0030 46	109.028	1272 304 136	000 262 1740	0060 5
105.040	1250 312 126	366 264 0105	0010 15	109.028	1272 304 136	000 262 1740	0070/B 7
105.041	1250 312 130	336 264 0205	0010 15	109.028	1272 304 136	000 262 1740	0070/B 11
105.042	1268 203 001	000 260 0124	0050 43	109.029	1250 304 350	000 262 0240	0030 28
105.042	1268 203 001	000 260 0124	0060 46	109.029	1250 304 350	000 262 0240	0060 28
105.056	1269 303 041	000 263 1302	0080/B 37	109.030	1250 304 006	343 262 0036	0020 31
105.056	1269 303 041	000 263 1302	0080/C 45	109.030	1250 304 006	343 262 0036	0030 34
105.059	1283 303 002	000 263 1602	0070/A 39	109.030	1250 304 006	343 262 0036	0050 31
105.059	1283 303 002	000 263 1602	0070/B 46	109.030	1250 304 006	343 262 0036	0060 34
105.061	1272 303 040	000 263 3002	0070/B 46	109.031	1250 304 292	336 262 0240	0030 10
105.062	1292 303 004	000 260 0924	0090/B 45	109.031	1250 304 292	336 262 0240	0060 10
105.097	1268 312 142		0040 15	109.031	1250 304 292	336 262 0240	0060 10
105.098	1268 312 139		0040 15	109.031	1250 304 292	336 262 0240	0070/B 7
105.190	1268 203 061		0060 46	109.037	1250 312 366	000 264 0846	0010 5
107.072	1250 305 003	343 263 0030	0020 48	109.037	1250 312 366	000 264 0846	0040 5

Date

05 / 2006

Table

Index

CEI no.	ZF no.	MB no.	Tav.	Fig.	CEI no.	ZF no.	MB no.	Tav.	Fig.
109.037	1250 312 366	000 264 0846	0080/A	8	119.042	1272 304 076	000 262 1334	0030	6
109.037	1250 312 366	000 264 0846	0090/A	8	119.042	1272 304 076	000 262 1334	0030	20
109.038	1250 312 364	000 264 0746	0010	12	119.042	1272 304 076	000 262 1334	0060	6
109.038	1250 312 364	000 264 0746	0040	12	119.042	1272 304 076	000 262 1334	0060	20
109.038	1250 312 364	000 264 0746	0080/A	16	119.042	1272 304 076	000 262 1334	0070/B	8
109.038	1250 312 364	000 264 0746	0090/A	16	119.042	1272 304 076	000 262 1334	0070/B	21
109.066	1285 333 021	000 262 1637	0070/C	27	119.042	1272 304 076	000 262 1334	0080/C	9
109.078	1269 304 196	000 262 1240	0090/B	8	119.042	1272 304 076	000 262 1334	0080/C	22
109.111	1268 304 538	000 262 3740	0060	10	119.042	1272 304 076	000 262 1334	0090/B	9
109.120	1269 333 056	000 262 3240	0080/D	21	119.042	1272 304 076	000 262 1334	0090/B	22
109.120	1269 333 056	000 262 3240	0090/C	21	119.054	1250 304 226	336 262 0734	0030	6
109.126	1268 304 537	000 262 3640	0060	5	119.054	1250 304 226	336 262 0734	0030	20
109.127	1268 304 142	000 262 0740	0060	5	119.054	1250 304 226	336 262 0734	0060	6
109.127	1268 304 142	000 262 0740	0060	5	119.054	1250 304 226	336 262 0734	0060	20
109.398	1268 304 198		0060	10	119.054	1250 304 226	336 262 0734	0070/B	8
111.018	0630 531 057	001 994 8841	0020	5	119.054	1250 304 226	336 262 0734	0070/B	21
111.018	0630 531 057	001 994 8841	0030	4A	119.054	1250 304 226	336 262 0734	0080/C	9
111.018	0630 531 057	001 994 8841	0050	5	119.054	1250 304 226	336 262 0734	0080/C	22
111.018	0630 531 057	001 994 8841	0060	4A	119.054	1250 304 226	336 262 0734	0090/B	9
111.175	0730 505 053	000 264 0673	0080/D	15	119.054	1250 304 226	336 262 0734	0090/B	22
111.175	0730 505 053	000 264 0673	0090/C	15	119.055	1250 304 472		0030	29
111.266	0730 505 027	001 994 0135	0070/C	13	119.055	1250 304 472		0060	29
111.267	0730 505 054	001 994 4135	0070/C	15	119.068	1250 304 227	336 262 0634	0030	29
117.100	1250 304 142	343 262 0250	0020	12	119.068	1250 304 227	336 262 0634	0060	29
117.100	1250 304 142	343 262 0250	0030	16	119.069	1240 304 384	000 262 0434	0010	6
117.100	1250 304 142	343 262 0250	0050	12	119.069	1240 304 384	000 262 0434	0040	6
117.100	1250 304 142	343 262 0250	0060	16	119.069	1240 304 384	000 262 0434	0080/A	9
117.100	1250 304 142	343 262 0250	0060	16	119.069	1240 304 384	000 262 0434	0090/A	9
117.101	0730 160 344	343 262 0350	0020	32	119.078	1272 333 019	000 262 1434	0070/C	17
117.101	0730 160 344	343 262 0350	0030	35	119.079	1269 328 289	000 262 2234	0080/D	18
117.101	0730 160 344	343 262 0350	0050	32	119.079	1269 328 289	000 262 2234	0090/C	18
117.101	0730 160 344	343 262 0350	0060	35	119.080	1250 304 417	000 262 1934	0010	6
117.145	1283 304 004	000 262 0750	0070/A	12	119.080	1250 304 417	000 262 1934	0040	6
117.145	1283 304 004	000 262 0750	0070/B	17	119.080	1250 304 417	000 262 1934	0080/A	9
117.153	1269 304 003	000 262 0350	0080/B	12	119.080	1250 304 417	000 262 1934	0090/A	9
117.153	1269 304 003	000 262 0350	0080/C	18	119.103	1269 328 291	000 262 3534	0080/D	18
117.154	1269 304 004	000 262 0450	0080/C	36	119.103	1269 328 291	000 262 3534	0090/C	18
117.204	1272 304 066	000 262 1553	0070/B	36	119.162	1272 304 165	000 262 6834	0030	20
117.205	1292 304 027	000 262 1850	0090/B	36	119.163	1272 304 166	000 262 8834	0030	6
117.231	1269 304 197	000 262 1750	0090/B	18	119.163	1272 304 166	000 262 8834	0060	6
117.238	1268 304 141	000 262 1150	0060	16	119.163	1272 304 166	000 262 8834	0060	20
119.041	1269 328 254	000 262 0734	0080/D	18	119.163	1272 304 166	000 262 8834	0070/B	8
119.041	1269 328 254	000 262 0734	0090/C	18	119.163	1272 304 166	000 262 8834	0070/B	21

All original equipment manufacturers numbers, symbols, pictures, models and description used in this catalogue are for reference only, and it is not implied that any part listed is the product of these manufactures.
Tutti i nostri particolari non sono originali ma con essi intercambiabili. I riferimenti originali, le figure, i modelli sono esposti a semplice titolo indicativo. La nostra produzione riporta il nostro marchio.

CEI Index

CEI no.	ZF no.	MB no.	Tav. Fig.	CEI no.	ZF no.	MB no.	Tav. Fig.
119.163	1272 304 166	000 262 8834	0080/C 9	130.264	0635 333 049	000 981 9025	0090/C 25
119.163	1272 304 166	000 262 8834	0080/C 22	130.265	0735 340 080	002 981 7825	0070/C 26
119.163	1272 304 166	000 262 8834	0090/B 9	130.266	0750 116 036	003 981 9925	0070/C 28
119.163	1272 304 166	000 262 8834	0090/B 22	130.691	0750 118 090	006 981 4701	0020 3
119.164	1250 304 391	000 262 1634	0030 29	130.691	0750 118 090	006 981 4701	0030 3
119.164	1250 304 391	000 262 1634	0060 29	130.691	0750 118 090	006 981 4701	0050 3
123.145	1269 332 020	000 264 1721	0080/D 16	130.691	0750 118 090	006 981 4701	0060 3
123.145	1269 332 020	000 264 1721	0090/C 16	130.691	0750 118 090	006 981 4701	0060 3
123.159	1285 332 005	000 264 2021	0070/C 12	130.692	0735 455 012	003 981 6001	0060 3
123.163	1269 332 055	000 264 2821	0080/D 13	130.693	0750 117 381		0070/A 4
123.163	1269 332 055	000 264 2821	0090/C 13	130.693	0750 117 381		0070/B 4
130.233	1246 203 008	001 980 9602	0020 39A	130.694	0750 118 015	005 981 5201	0070/A 30
130.233	1246 203 008	001 980 9602	0030 47	130.694	0750 118 015	005 981 5201	0070/B 35
130.233	1246 203 008	001 980 9602	0070/A 40	130.695	0635 416 273	005412 520217	0070/C 35
130.233	1246 203 008	001 980 9602	0070/B 47	130.696	0635 373 008		0070/C 41
130.234	0750 117 083	009 981 3301	0010 16	130.696	0635 373 008		0070/C 43
130.234	0750 117 083	009 981 3301	0020 39	130.697	0750 118 129	007 981 0301	0080/A 2
130.234	0750 117 083	009 981 3301	0030 42	130.697	0750 118 129	007 981 0301	0080/A 17
130.234	0750 117 083	009 981 3301	0070/A 35	130.697	0750 118 129	007 981 0301	0080/B 2
130.234	0750 117 083	009 981 3301	0070/B 42	130.697	0750 118 129	007 981 0301	0080/C 2
130.235	0735 370 033	005 981 5005	0070/A 2	130.697	0750 118 129	007 981 0301	0090/A 2
130.235	0735 370 033	005 981 5005	0070/B 2	130.697	0750 118 129	007 981 0301	0090/A 17
130.242	0750 117 010	001 980 8102	0040 16	130.697	0750 118 129	007 981 0301	0090/B 2
130.242	0750 117 010	001 980 8102	0050 39	130.698	0750 117 078	010 981 1501	0080/A 4
130.242	0750 117 010	001 980 8102	0060 42	130.698	0750 117 078	010 981 1501	0080/B 4
130.242	0750 117 010	001 980 8102	0080/A 20	130.698	0750 117 078	010 981 1501	0080/C 4
130.242	0750 117 010	001 980 8102	0080/B 34	130.698	0750 117 078	010 981 1501	0090/B 4
130.242	0750 117 010	001 980 8102	0080/C 42	130.699	0750 118 081	005 981 8701	0010 1
130.242	0750 117 010	001 980 8102	0090/A 20	130.699	0750 118 081	005 981 8701	0040 1
130.242	0750 117 010	001 980 8102	0090/B 42	130.699	0750 118 081	005 981 8701	0080/B 30
130.258	0750 118 082	005 981 8501	0010 13	130.699	0750 118 081	005 981 8701	0080/C 37
130.258	0750 118 082	005 981 8501	0020 1	130.699	0750 118 081	005 981 8701	0090/B 37
130.258	0750 118 082	005 981 8501	0030 1	130.700	0635 330 050		0080/D 12
130.258	0750 118 082	005 981 8501	0030 38	130.700	0635 330 050		0090/C 12
130.258	0750 118 082	005 981 8501	0040 13	130.701	0635 332 132	000 625 536 219	0080/D 33
130.258	0750 118 082	005 981 8501	0050 1	130.701	0635 332 132	000 625 536 219	0090/C 34
130.258	0750 118 082	005 981 8501	0060 1	135.060	1269 233 010	000 262 2037	0080/D 17
130.258	0750 118 082	005 981 8501	0060 38	135.060	1269 233 010	000 262 2037	0090/C 17
130.263	0635 374 019	004 981 1305	0050 39A	135.077	1285 233 007	000 262 1937	0070/C 16
130.263	0635 374 019	004 981 1305	0060 47	135.111	1269 233 012	000 262 3340	0080/D 17
130.264	0635 333 049	000 981 9025	0020 35	135.111	1269 233 012	000 262 3340	0090/C 17
130.264	0635 333 049	000 981 9025	0050 35	137.007	0750 115 011	010 981 1010	0020 46
130.264	0635 333 049	000 981 9025	0080/D 25	137.007	0750 115 011	010 981 1010	0030 49

Date

05 / 2006

Table

Index

CEI no.	ZF no.	MB no.	Tav. Fig.	CEI no.	ZF no.	MB no.	Tav. Fig.
137.007	0750 115 011	010 981 1010	0050 46	137.094	0750 115 282	013 981 9210	0060 26
137.007	0750 115 011	010 981 1010	0060 49	137.095	0750 115 283	002 981 1710	0020 29
137.007	0750 115 011	010 981 1010	0070/A 42	137.095	0750 115 283	002 981 1710	0030 32
137.007	0750 115 011	010 981 1010	0070/B 49	137.095	0750 115 283	002 981 1710	0050 29
137.007	0750 115 011	010 981 1010	0080/B 39	137.095	0750 115 283	002 981 1710	0060 32
137.007	0750 115 011	010 981 1010	0080/C 47	137.096	0735 320 154	001 981 7410	0020 33
137.007	0750 115 011	010 981 1010	0090/B 47	137.096	0735 320 154	001 981 7410	0030 36
137.074	0750 115 227	005 981 9910	0070/A 19	137.096	0735 320 154	001 981 7410	0050 33
137.074	0750 115 227	005 981 9910	0070/B 25	137.096	0735 320 154	001 981 7410	0060 36
137.075	0735 320 377	006 981 6410	0070/A 22	137.107	0735 320 499	009 981 9010	0060 15
137.075	0735 320 377	006 981 6410	0070/B 27	137.107	0735 320 499	009 981 9010	0090/B 17
137.077	0735 320 396	008 981 1010	0080/B 11	137.108	0750 115 089	011 981 1210	0010 3
137.077	0735 320 396	008 981 1010	0080/C 17	137.108	0750 115 089	011 981 1210	0040 3
137.078	0735 320 493	008 981 0910	0080/B 14	137.108	0750 115 089	011 981 1210	0080/A 6
137.078	0735 320 493	008 981 0910	0080/C 20	137.108	0750 115 089	011 981 1210	0090/A 6
137.079	0735 320 371	005 981 8710	0080/B 19	137.235	0735 320 466	009 981 9210	0090/B 28
137.079	0735 320 371	005 981 8710	0080/B 22	137.235	0735 320 466	009 981 9210	0090/B 35
137.079	0735 320 371	005 981 8710	0080/B 29	137.236	0735 320 465	009 981 9310	0090/B 20
137.079	0735 320 371	005 981 8710	0080/C 26	137.265	0735 320 731	012 981 7810	0070/A 11
137.079	0735 320 371	005 981 8710	0080/C 28	137.265	0735 320 731	012 981 7810	0070/B 16
137.079	0735 320 371	005 981 8710	0080/C 35	137.266	0735 320 732	012 981 7910	0070/A 14
137.084	0735 320 418	010 981 3510	0090/B 26	137.266	0735 320 732	012 981 7910	0070/B 19
137.087	0750 118 019	004 981 5801	0070/A 6	137.267	0735 320 417	012 981 7910	0070/A 29
137.087	0750 118 019	004 981 5801	0070/B 6	137.267	0735 320 417	012 981 7910	0070/B 33
137.087	0750 118 019	004 981 5801	0080/B 6	137.268	0735 358 032	002 981 3410	0010 14
137.087	0750 118 019	004 981 5801	0080/C 6	137.268	0735 358 032	002 981 3410	0040 14
137.087	0750 118 019	004 981 5801	0090/B 6	137.268	0735 358 032	002 981 3410	0080/A 18
137.091	0735 320 314	005 981 0510	0020 11	137.268	0735 358 032	002 981 3410	0090/A 18
137.091	0735 320 314	005 981 0510	0030 15	141.061	1272 334 003	000 268 0149	0030 41
137.091	0735 320 314	005 981 0510	0050 11	141.061	1272 334 003	000 268 0149	0060 41
137.091	0735 320 314	005 981 0510	0060 15	141.061	1272 334 003	000 268 0149	0070/A 34
137.091	0735 320 314	005 981 0510	0060 15	141.061	1272 334 003	000 268 0149	0070/B 40
137.092	0750 115 284	013 981 9110	0020 14	141.061	1272 334 003	000 268 0149	0080/C 40
137.092	0750 115 284	013 981 9110	0030 18	141.061	1272 334 003	000 268 0149	0090/B 40
137.092	0750 115 284	013 981 9110	0050 14	141.062	1240 306 234	000 265 0549	0020 38
137.092	0750 115 284	013 981 9110	0060 18	141.062	1240 306 234	000 265 0549	0050 38
137.093	0750 115 134	012 981 5910	0020 21	141.068	1295 306 132	000 268 0849	0020 17
137.093	0750 115 134	012 981 5910	0030 24	141.068	1295 306 132	000 268 0849	0020 38
137.093	0750 115 134	012 981 5910	0050 21	141.068	1295 306 132	000 268 0849	0050 17
137.093	0750 115 134	012 981 5910	0060 24	141.068	1295 306 132	000 268 0849	0050 38
137.094	0750 115 282	013 981 9210	0020 23	141.068	1295 306 132	000 268 0849	0070/A 34
137.094	0750 115 282	013 981 9210	0030 26	141.068	1295 306 132	000 268 0849	0070/B 41
137.094	0750 115 282	013 981 9210	0050 23	141.068	1295 306 132	000 268 0849	0070/C 23

All original equipment manufacturers numbers, symbols, pictures, models and description used in this catalogue are for reference only, and it is not implied that any part listed is the product of these manufactures.
Tutti i nostri particolari non sono originali ma con essi intercambiabili. I riferimenti originali, le figure, i modelli sono esposti a semplice titolo indicativo. La nostra produzione riporta il nostro marchio.

CEI Index

CEI no.	ZF no.	MB no.	Tav.	Fig.	CEI no.	ZF no.	MB no.	Tav.	Fig.
141.068	1295 306 132	000 268 0849	0080/B	33	145.198	1250 304 178	343 262 0114	0020	13
141.068	1295 306 132	000 268 0849	0080/C	41	145.198	1250 304 178	343 262 0114	0020	13
141.068	1295 306 132	000 268 0849	0090/B	41	145.198	1250 304 178	343 262 0114	0030	17
141.079	1283 306 003	000 268 0249	0070/A	33	145.198	1250 304 178	343 262 0114	0030	17
141.079	1283 306 003	000 268 0249	0070/B	39	145.199	1250 304 179	343 262 0113	0020	20
141.088	1295 334 027	000 268 0549	0080/D	28	145.199	1250 304 179	343 262 0113	0020	20
141.088	1295 334 027	000 268 0549	0090/C	28	145.199	1250 304 179	343 262 0113	0030	23
141.146	1268 312 057	000 264 0749	0010	19	145.199	1250 304 179	343 262 0113	0030	23
141.146	1268 312 057	000 264 0749	0040	19	145.200	1250 304 029	343 262 0012	0020	24
143.035	1250 303 056	343 263 0114	0020	42	145.200	1250 304 029	343 262 0012	0020	24
143.035	1250 303 056	343 263 0114	0030	45	145.200	1250 304 029	343 262 0012	0030	27
143.035	1250 303 056	343 263 0114	0030	45	145.201	1250 304 240	336 262 0011	0020	30
143.037	1250 303 062	366 263 0114	0020	42	145.201	1250 304 240	336 262 0011	0020	30
143.037	1250 303 062	366 263 0114	0030	45	145.201	1250 304 240	336 262 0011	0030	33
143.038	1268 303 006	000 263 0613	0050	42	145.203	1250 304 127	343 262 0115	0020	10
143.038	1268 303 006	000 263 0613	0060	45	145.208	1268 304 010	000 262 0614	0050	13
143.039	1268 303 005	000 263 0713	0050	42	145.208	1268 304 010	000 262 0614	0050	13
143.039	1268 303 005	000 263 0713	0060	45	145.208	1268 304 010	000 262 0614	0060	17
143.053	1269 303 053	000 263 0914	0080/B	35	145.209	1268 304 015	000 262 0815	0050	10
143.053	1269 303 053	000 263 0914	0080/C	43	145.209	1268 304 015	000 262 0815	0060	14
143.054	1269 303 006	000 263 0413	0080/B	36	145.210	1268 304 009	000 262 0513	0050	20
143.054	1269 303 006	000 263 0413	0080/C	44	145.210	1268 304 009	000 262 0513	0050	20
143.065	1272 303 026	000 263 1213	0070/A	38	145.210	1268 304 009	000 262 0513	0060	23
143.065	1272 303 026	000 263 1213	0070/B	45	145.211	1268 304 204	000 262 2112	0050	24
143.066	1272 303 041	000 263 2513	0070/B	45	145.211	1268 304 204	000 262 2112	0050	24
143.067	1292 303 005	000 263 2213	0090/B	43	145.211	1268 304 204	000 262 2112	0060	27
143.068	1292 303 006	000 263 2113	0090/B	44	145.212	1268 304 213	000 262 4611	0050	30
143.073	1268 303 097	000 263 2013	0060	45	145.212	1268 304 213	000 262 4611	0050	30
143.087	1250 303 084	000 263 0414	0030	45	145.213	1268 304 005	000 262 0915	0050	10
143.126	1250 303 049		0020	42	145.213	1268 304 005	000 262 0915	0050	10
143.126	1250 303 049		0030	45	145.214	1268 304 004	000 262 0714	0050	13
143.127	1250 303 136		0030	45	145.214	1268 304 004	000 262 0714	0050	13
143.128	1250 303 159		0030	45	145.214	1268 304 004	000 262 0714	0060	17
143.129	1268 303 011		0050	42	145.215	1268 304 003	000 262 0613	0050	20
143.129	1268 303 011		0060	45	145.215	1268 304 003	000 262 0613	0050	20
143.130	1268 303 095		0060	45	145.215	1268 304 003	000 262 0613	0060	23
143.132	1268 303 086		0060	45	145.216	1250 304 210	366 262 0115	0020	10
143.133	1268 303 039	000 263 1113	0060	45	145.216	1250 304 210	366 262 0115	0020	10
143.134	1268 303 072		0060	45	145.217	1250 304 217	366 262 0114	0020	13
145.155	1272 304 139	000 262 4513	0070/A	10	145.217	1250 304 217	366 262 0114	0020	13
145.155	1272 304 139	000 262 4513	0070/B	15	145.217	1250 304 217	366 262 0114	0030	17
145.197	1250 304 384	000 262 1515	0020	10	145.243	1269 304 139	000 262 1513	0080/B	10
145.197	1250 304 384	000 262 1515	0020	10	145.243	1269 304 139	000 262 1513	0080/C	16

Date

05 / 2006

Table

Index

CEI no.	ZF no.	MB no.	Tav.	Fig.	CEI no.	ZF no.	MB no.	Tav.	Fig.
145.244	1269 304 131	000 262 1112	0080/B	13	145.841	1250 304 404		0020	10
145.244	1269 304 131	000 262 1112	0080/C	19	145.841	1250 304 404		0030	14
145.245	1269 304 132	000 262 2511	0080/B	20	145.842	1250 304 172		0020	13
145.245	1269 304 132	000 262 2511	0080/C	25	145.842	1250 304 172		0030	17
145.246	1269 304 072	000 262 1411	0080/B	23	145.843	1250 304 173		0020	20
145.246	1269 304 072	000 262 1411	0080/C	29	145.843	1250 304 173		0030	23
145.247	1269 304 068	000 262 1511	0080/B	28	145.844	1250 304 514		0030	14
145.247	1269 304 068	000 262 1511	0080/C	34	145.845	1250 304 400		0030	14
145.255	1269 312 005	000 262 1710	0080/A	7	145.846	1250 304 502	000 262 4015	0030	14
145.255	1269 312 005	000 262 1710	0090/A	7	145.847	1250 304 513		0030	14
145.261	1292 304 017	000 262 4411	0090/B	34	145.848	1250 304 299		0030	14
145.262	1292 304 018	000 262 4311	0090/B	29	145.849	1250 304 135		0030	14
145.268	1283 304 007	000 262 2211	0070/A	23	145.850	1250 304 399		0030	17
145.268	1283 304 007	000 262 2211	0070/B	28	145.851	1250 304 444		0030	17
145.269	1283 304 022	000 262 2411	0070/A	28	145.852	1250 304 443		0030	23
145.269	1283 304 022	000 262 2411	0070/B	34	145.853	1250 304 398		0030	23
145.272	1292 304 047	000 262 3413	0090/B	16	145.854	1268 304 012		0050	10
145.274	1268 304 094		0050	10	145.855	1268 304 269		0050	10
145.274	1268 304 094		0050	10	145.856	1268 304 262	000 262 3515	0050	10
145.282	1272 304 079	000 262 2811	0070/A	20	145.857	1268 304 013		0050	13
145.282	1272 304 079	000 262 2811	0070/B	24	145.857	1268 304 013		0060	17
145.283	1272 304 080	000 262 1212	0070/A	13	145.858	1268 304 268		0050	13
145.283	1272 304 080	000 262 1212	0070/B	18	145.859	1268 304 237	000 262 3514	0050	13
145.284	1272 304 134	000 262 4313	0070/B	15	145.860	1268 304 014		0050	20
145.288	1272 304 131	000 262 3412	0070/B	18	145.860	1268 304 014		0060	23
145.290	1272 304 132	000 262 6511	0070/B	24	145.861	1268 304 267		0050	20
145.291	1272 304 133	000 262 6611	0070/B	28	145.862	1268 304 235	000 262 5113	0050	20
145.293	1292 304 046	000 262 2812	0090/B	19	145.863	1268 304 244	000 262 4312	0050	24
145.294	1292 304 045	000 262 5411	0090/B	25	145.864	1268 304 245	000 262 7411	0050	30
145.313	1272 304 123	000 262 3613	0070/A	10	145.866	1268 304 292		0060	14
145.314	1272 304 121	000 262 2912	0070/A	13	145.867	1268 304 287		0060	14
145.315	1272 304 119	000 262 5511	0070/A	20	145.868	1268 304 372		0060	14
145.356	1268 304 251	000 262 2915	0060	17	145.869	1268 304 229		0060	14
145.357	1268 304 252	000 262 2713	0060	23	145.870	1268 304 373		0060	14
145.360	1268 304 536	000 262 4515	0060	14	145.871	1268 304 040		0060	14
145.421	1250 304 305	000 262 0615	0030	14	145.872	1268 304 168		0060	14
145.422	1250 304 257	000 262 0413	0030	23	145.873	1268 304 248		0060	17
145.438	1268 304 535		0060	14	145.875	1268 304 041	000 262 1314	0060	17
145.439	1268 304 230		0060	17	145.876	1268 304 167		0060	17
145.440	1250 304 256	000 262 0414	0030	17	145.877	1268 304 249		0060	23
145.492	1268 304 247		0060	14	145.879	1268 304 231		0060	23
145.492	1268 304 247		0060	14	145.880	1268 304 018	000 262 1113	0060	23
145.493	1268 304 250		0060	14	145.881	1268 304 166		0060	23

All original equipment manufacturers numbers, symbols, pictures, models and description used in this catalogue are for reference only, and it is not implied that any part listed is the product of these manufactures.
Tutti i nostri particolari non sono originali ma con essi intercambiabili. I riferimenti originali, le figure, i modelli sono esposti a semplice titolo indicativo. La nostra produzione riporta il nostro marchio.

CEI Index

CEI no.	ZF no.	MB no.	Tav.	Fig.	CEI no.	ZF no.	MB no.	Tav.	Fig.
145.882	1268 304 273		0060	27	146.351	1250 303 114	000 263 1310	0030	43
145.883	1272 339 007	000 262 2410	0070/C	39	146.352	1250 303 094	000 263 0515	0030	44
145.884	1272 336 025	000 264 2221	0070/C	42	146.392	1268 312 010	000 262 0210	0040	4
145.885	1269 336 026	000 264 2321	0080/D	40	146.591	1250 303 116		0020	40
145.885	1269 336 026	000 264 2321	0090/C	45	146.591	1250 303 116		0030	43
146.098	1250 303 111	000 263 1610	0020	40	146.592	1250 303 113		0020	40
146.098	1250 303 111	000 263 1610	0030	43	146.592	1250 303 113		0030	43
146.098	1250 303 111	000 263 1610	0030	44	146.593	1250 303 060		0020	41
146.099	1250 303 058	336 263 0115	0020	41	146.593	1250 303 060		0030	44
146.099	1250 303 058	336 263 0115	0030	44	146.594	1250 303 138		0030	43
146.102	1250 303 048	343 263 0215	0020	41	146.595	1250 303 154		0030	43
146.102	1250 303 048	343 263 0215	0030	44	146.596	1250 303 137		0030	44
146.103	1250 303 112	000 263 1710	0020	40	146.597	1250 303 088		0030	44
146.103	1250 303 112	000 263 1710	0030	43	146.598	1268 303 059		0050	40
146.104	1250 303 074	366 263 0015	0020	41	146.598	1268 303 059		0060	43
146.104	1250 303 074	366 263 0015	0030	44	146.599	1268 303 010		0050	41
146.105	1268 303 012	000 263 0715	0050	41	146.599	1268 303 010		0060	44
146.105	1268 303 012	000 263 0715	0060	44	146.601	1268 303 084		0060	43
146.106	1268 303 004	000 263 0815	0050	41	146.602	1268 303 058	000 263 2310	0060	43
146.106	1268 303 004	000 263 0815	0060	44	146.603	1268 303 074		0060	43
146.107	1268 303 056	000 263 1510	0050	40	146.604	1268 303 094		0060	44
146.107	1268 303 056	000 263 1510	0060	43	146.606	1268 303 085		0060	44
146.108	1268 303 057	000 263 1410	0050	40	146.607	1268 303 038	000 263 1315	0060	44
146.108	1268 303 057	000 263 1410	0060	43	146.608	1268 303 073		0060	44
146.123	1250 312 161	366 262 0310	0010	4	147.065	1250 305 033	000 263 0931	0020	45
146.124	1250 312 270	000 262 1510	0010	17	147.065	1250 305 033	000 263 0931	0030	52
146.125	1268 304 256	000 262 4111	0060	33	147.066	1250 304 140	343 262 0211	0020	34
146.162	1268 312 003	000 262 0110	0040	4	147.066	1250 304 140	343 262 0211	0030	37
146.163	1268 312 055	000 262 1810	0040	17	147.071	1268 305 009	343 263 0062	0050	45
146.166	1268 312 051	000 262 1310	0040	17	147.071	1268 305 009	343 263 0062	0060	52
146.186	1269 312 049	000 263 5110	0080/A	21	147.072	1268 304 008	000 262 1111	0050	34
146.186	1269 312 049	000 263 5110	0090/A	21	147.072	1268 304 008	000 262 1111	0060	37
146.206	1272 303 027	000 263 1313	0070/A	37	147.084	1269 305 005	000 263 1031	0080/B	40
146.206	1272 303 027	000 263 1313	0070/B	44	147.084	1269 305 005	000 263 1031	0080/C	48
146.207	1272 303 025	000 263 2410	0070/A	36	147.095	1292 305 004	000 263 1831	0090/B	48
146.207	1272 303 025	000 263 2410	0070/B	43	147.117	1283 305 004	000 263 1331	0070/A	43
146.208	1268 303 007		0050	41	147.117	1283 305 004	000 263 1331	0070/B	50
146.208	1268 303 007		0060	44	149.207	1285 334 023	000 264 2424	0070/C	24
146.214	1272 303 042	000 263 2613	0070/B	44	150.109	1285 332 006	000 264 1576	0070/C	14
146.237	1250 303 115		0030	43	150.113	1269 332 054	000 262 0325	0080/D	14
146.280	1268 303 096	000 263 1815	0060	44	150.113	1269 332 054	000 262 0325	0090/C	14
146.281	1268 303 093	000 263 2910	0060	43	154.031	1269 333 047	000 262 4123	0080/D	20
146.304	1268 312 052	000 262 1410	0040	17	154.031	1269 333 047	000 262 4123	0090/C	20

Date

05 / 2006

Table

Index

CEI no.	ZF no.	MB no.	Tav.	Fig.	CEI no.	ZF no.	MB no.	Tav.	Fig.
154.032	1272 304 077	000 262 1923	0030	9	154.100	1250 304 440	000 262 3723	0070/A	8
154.032	1272 304 077	000 262 1923	0030	22	154.101	1250 304 441	000 262 3823	0020	15
154.032	1272 304 077	000 262 1923	0060	9	154.101	1250 304 441	000 262 3823	0050	15
154.032	1272 304 077	000 262 1923	0060	22	154.101	1250 304 441	000 262 3823	0070/A	16
154.032	1272 304 077	000 262 1923	0070/B	10	154.102	1292 304 025	000 262 3523	0090/B	31
154.032	1272 304 077	000 262 1923	0070/B	23	154.367	1246 304 237	000 262 5223	0020	26
154.032	1272 304 077	000 262 1923	0080/C	15	154.367	1246 304 237	000 262 5223	0050	26
154.032	1272 304 077	000 262 1923	0090/B	15	154.368	1272 339 003	000 262 2223	0070/C	34
154.033	1240 304 375	000 262 0823	0080/C	24	154.369	1269 339 003	000 262 1323	0080/D	32
154.033	1240 304 375	000 262 0823	0090/B	24	154.369	1269 339 003	000 262 1323	0090/C	33
154.051	1257 304 020	336 262 0023	0030	31	155.060	1272 304 078	000 262 2235	0030	8
154.051	1257 304 020	336 262 0023	0060	31	155.060	1272 304 078	000 262 2235	0060	8
154.053	1250 304 362	000 262 2323	0020	6	155.060	1272 304 078	000 262 2235	0060	8
154.053	1250 304 362	000 262 2323	0020	6	155.060	1272 304 078	000 262 2235	0070/B	9
154.053	1250 304 362	000 262 2323	0050	6	155.061	1250 304 396	000 262 3035	0030	21
154.053	1250 304 362	000 262 2323	0050	6	155.061	1250 304 396	000 262 3035	0060	21
154.053	1250 304 362	000 262 2323	0070/A	8	155.062	1250 304 401	000 262 2935	0030	30
154.054	1250 304 236	000 262 1123	0020	26	155.075	1250 304 107	343 262 0145	0020	36
154.054	1250 304 236	000 262 1123	0020	26	155.075	1250 304 107	343 262 0145	0030	39
154.054	1250 304 236	000 262 1123	0050	26	155.075	1250 304 107	343 262 0145	0050	36
154.054	1250 304 236	000 262 1123	0050	26	155.075	1250 304 107	343 262 0145	0060	39
154.056	1250 304 233	000 262 1023	0020	15	155.076	1250 304 185	343 262 0427	0020	7
154.056	1250 304 233	000 262 1023	0020	15	155.076	1250 304 185	343 262 0427	0020	7
154.056	1250 304 233	000 262 1023	0050	15	155.076	1250 304 185	343 262 0427	0050	7
154.056	1250 304 233	000 262 1023	0050	15	155.076	1250 304 185	343 262 0427	0050	7
154.056	1250 304 233	000 262 1023	0070/A	16	155.076	1250 304 185	343 262 0427	0070/A	7
154.056	1250 304 233	000 262 1023	0070/A	25	155.077	1250 304 234	343 262 0527	0020	16
154.056	1250 304 233	000 262 1023	0070/B	30	155.077	1250 304 234	343 262 0527	0020	16
154.056	1250 304 233	000 262 1023	0080/B	25	155.077	1250 304 234	343 262 0527	0050	16
154.056	1250 304 233	000 262 1023	0080/C	31	155.077	1250 304 234	343 262 0527	0050	16
154.057	1250 304 306	343 262 0423	0020	15	155.077	1250 304 234	343 262 0527	0070/A	15
154.058	1250 304 004	343 262 0023	0020	26	155.078	1250 304 235	000 262 1527	0020	25
154.064	1240 304 272	000 262 0623	0010	8	155.078	1250 304 235	000 262 1527	0020	25
154.064	1240 304 272	000 262 0623	0040	8	155.079	1250 204 008	366 260 0017	0020	36
154.064	1240 304 272	000 262 0623	0080/A	15	155.079	1250 204 008	366 260 0017	0030	39
154.064	1240 304 272	000 262 0623	0090/A	15	155.079	1250 204 008	366 260 0017	0050	36
154.081	1285 333 020	000 262 3923	0070/C	19	155.079	1250 204 008	366 260 0017	0060	39
154.090	1269 304 069	000 262 1523	0080/B	8	155.081	1268 304 006	000 262 0827	0050	25
154.095	1269 304 017	000 262 1423	0080/B	16	155.081	1268 304 006	000 262 0827	0050	25
154.099	1250 304 141	343 262 0323	0020	6	155.090	1250 312 323	000 262 3635	0010	7
154.099	1250 304 141	343 262 0323	0050	6	155.090	1250 312 323	000 262 3635	0040	7
154.100	1250 304 440	000 262 3723	0020	6	155.090	1250 312 323	000 262 3635	0080/A	11
154.100	1250 304 440	000 262 3723	0050	6	155.090	1250 312 323	000 262 3635	0090/A	11

All original equipment manufacturers numbers, symbols, pictures, models and description used in this catalogue are for reference only, and it is not implied that any part listed is the product of these manufactures.
Tutti i nostri particolari non sono originali ma con essi intercambiabili. I riferimenti originali, le figure, i modelli sono esposti a semplice titolo indicativo. La nostra produzione riporta il nostro marchio.

CEI Index

CEI no.	ZF no.	MB no.	Tav.	Fig.	CEI no.	ZF no.	MB no.	Tav.	Fig.
155.091	1268 304 150	000 262 3135	0060	30	156.036	0732 040 386	336 264 0793	0010	10
155.102	1268 304 136	000 262 0745	0020	36	156.036	0732 040 386	336 264 0793	0030	12
155.102	1268 304 136	000 262 0745	0030	39	156.036	0732 040 386	336 264 0793	0040	10
155.102	1268 304 136	000 262 0745	0050	36	156.036	0732 040 386	336 264 0793	0060	12
155.102	1268 304 136	000 262 0745	0060	39	156.036	0732 040 386	336 264 0793	0070/B	13
155.113	1269 338 020	000 264 0945	0050	36	156.036	0732 040 386	336 264 0793	0070/C	21
155.113	1269 338 020	000 264 0945	0060	39	156.036	0732 040 386	336 264 0793	0080/A	13
155.113	1269 338 020	000 264 0945	0080/D	26	156.036	0732 040 386	336 264 0793	0080/C	13
155.113	1269 338 020	000 264 0945	0090/C	26	156.036	0732 040 386	336 264 0793	0090/A	13
155.123	1272 304 075	000 262 2135	0070/B	22	156.036	0732 040 386	336 264 0793	0090/B	13
155.126	1272 333 020	000 262 2335	0070/C	18	156.037	0732 040 385	336 264 0693	0010	11
155.132	1269 338 028	000 264 0845	0030	39	156.037	0732 040 385	336 264 0693	0030	13
155.132	1269 338 028	000 264 0845	0050	36	156.037	0732 040 385	336 264 0693	0040	11
155.132	1269 338 028	000 264 0845	0060	39	156.037	0732 040 385	336 264 0693	0060	13
155.132	1269 338 028	000 264 0845	0080/D	26	156.037	0732 040 385	336 264 0693	0070/B	14
155.132	1269 338 028	000 264 0845	0090/C	26	156.037	0732 040 385	336 264 0693	0070/C	22
155.136	1269 304 016	000 262 1027	0080/B	15	156.037	0732 040 385	336 264 0693	0080/A	14
155.137	1285 338 005	000 264 1545	0070/C	29	156.037	0732 040 385	336 264 0693	0080/C	14
155.138	1285 338 004	000 262 1045	0070/C	29	156.037	0732 040 385	336 264 0693	0090/A	14
155.139	1246 304 136	000 262 1627	0070/A	24	156.037	0732 040 385	336 264 0693	0090/B	14
155.139	1246 304 136	000 262 1627	0070/B	29	156.120	0732 040 736	002 993 7501	0080/D	24
155.141	1272 304 135	000 262 4135	0070/B	9	156.120	0732 040 736	002 993 7501	0090/C	24
155.142	1272 304 130	000 262 4035	0070/B	22	156.124	0732 040 497	343 264 0993	0020	19
155.143	1272 304 124	000 262 1927	0020	7	156.124	0732 040 497	343 264 0993	0050	19
155.143	1272 304 124	000 262 1927	0050	7	156.124	0732 040 497	343 264 0993	0070/A	18
155.143	1272 304 124	000 262 1927	0070/A	7	156.124	0732 040 497	343 264 0993	0070/A	27
155.153	1272 304 125	000 262 2027	0070/A	15	156.124	0732 040 497	343 264 0993	0070/B	32
155.167	1269 338 026		0080/D	26	156.124	0732 040 497	343 264 0993	0080/B	18
155.167	1269 338 026		0090/C	26	156.124	0732 040 497	343 264 0993	0080/B	27
155.178	1268 304 143	000 262 1835	0060	8	156.124	0732 040 497	343 264 0993	0080/C	33
155.226	1250 304 454	000 262 2427	0020	16	156.124	0732 040 497	343 264 0993	0090/B	33
155.226	1250 304 454	000 262 2427	0050	16	156.125	0732 040 929	003 993 9201	0080/D	23
155.227	1268 304 246	000 262 2327	0050	25	156.125	0732 040 929	003 993 9201	0090/C	23
155.228	1269 339 048		0070/C	32	156.150	1203 321 009	002 993 1801	0020	9
156.025	0732 020 030	336 264 0893	0010	6A	156.150	1203 321 009	002 993 1801	0020	27
156.025	0732 020 030	336 264 0893	0030	7	156.150	1203 321 009	002 993 1801	0050	9
156.025	0732 020 030	336 264 0893	0040	6A	156.150	1203 321 009	002 993 1801	0050	27
156.025	0732 020 030	336 264 0893	0060	7	156.150	1203 321 009	002 993 1801	0070/A	9A
156.025	0732 020 030	336 264 0893	0070/B	8A	156.150	1203 321 009	002 993 1801	0080/B	9A
156.025	0732 020 030	336 264 0893	0080/A	10	157.079	1269 304 128	000 262 2735	0080/C	11
156.025	0732 020 030	336 264 0893	0080/C	10	157.080	1269 304 129	000 262 2635	0080/C	23
156.025	0732 020 030	336 264 0893	0090/A	10	157.081	1269 304 071	000 262 0927	0080/B	24
156.025	0732 020 030	336 264 0893	0090/B	10	157.081	1269 304 071	000 262 0927	0080/C	30

Date

05 / 2006

Table

Index

CEI no.	ZF no.	MB no.	Tav. Fig.	CEI no.	ZF no.	MB no.	Tav. Fig.
157.082	1286 304 022	000 262 0910	0080/B 31	169.410	0730 103 846	003 264 2052	0080/D 7
157.082	1286 304 022	000 262 0910	0080/C 38	169.410	0730 103 846	003 264 2052	0090/C 7
157.082	1286 304 022	000 262 0910	0090/B 38	169.443	1250 305 006	000 263 0650	0020 47
157.095	1292 304 041	000 262 3735	0090/B 11	169.443	1250 305 006	000 263 0650	0030 50
157.101	1269 304 018	000 262 1127	0080/B 7	169.443	1250 305 006	000 263 0650	0050 47
157.102	1285 304 038	000 262 2210	0070/A 31	169.443	1250 305 006	000 263 0650	0060 50
157.102	1285 304 038	000 262 2210	0070/B 37	171.014	0635 460 010	002 981 5685	0020 8
157.115	1269 333 057	000 263 0835	0080/D 19	171.014	0635 460 010	002 981 5685	0020 18
157.115	1269 333 057	000 263 0835	0090/C 19	171.014	0635 460 010	002 981 5685	0020 28
157.116	1292 304 052	000 262 3835	0090/B 23	171.014	0635 460 010	002 981 5685	0050 8
157.117	1292 304 026	000 262 1827	0090/B 30	171.014	0635 460 010	002 981 5685	0050 18
157.705	1269 339 015	000 262 1210	0080/D 36	171.014	0635 460 010	002 981 5685	0050 28
160.116	1240 304 278	336 264 0239	0010 9	171.014	0635 460 010	002 981 5685	0070/A 9
160.116	1240 304 278	336 264 0239	0030 11	171.014	0635 460 010	002 981 5685	0070/A 17
160.116	1240 304 278	336 264 0239	0040 9	171.014	0635 460 010	002 981 5685	0070/A 26
160.116	1240 304 278	336 264 0239	0060 11	171.014	0635 460 010	002 981 5685	0070/B 31
160.116	1240 304 278	336 264 0239	0070/B 12	171.014	0635 460 010	002 981 5685	0080/B 9
160.116	1240 304 278	336 264 0239	0080/A 12	171.014	0635 460 010	002 981 5685	0080/B 17
160.116	1240 304 278	336 264 0239	0080/C 12	171.014	0635 460 010	002 981 5685	0080/B 26
160.116	1240 304 278	336 264 0239	0090/A 12	171.014	0635 460 010	002 981 5685	0080/C 32
160.116	1240 304 278	336 264 0239	0090/B 12	171.014	0635 460 010	002 981 5685	0090/B 32
160.126	1269 328 234	000 263 0140	0080/D 22	171.015	0735 470 027	001 981 0087	0070/C 8
160.126	1269 328 234	000 263 0140	0090/C 22	171.016	0735 470 057	001 981 1187	0080/D 8
160.127	1285 333 007	000 262 0840	0070/C 20	171.016	0735 470 057	001 981 1187	0090/C 8
160.151	0631 329 048	001 481 005 026	0070/C 4	187.245	0737 502 168	343 990 0360	0020 4
160.151	0631 329 048	001 481 005 026	0080/D 5	187.245	0737 502 168	343 990 0360	0030 4
160.151	0631 329 048	001 481 005 026	0090/C 5	187.245	0737 502 168	343 990 0360	0050 4
160.152	0631 329 016	001 481 003 021	0070/C 5	187.245	0737 502 168	343 990 0360	0060 4
160.152	0631 329 016	001 481 003 021	0080/D 4	187.343	0737 502 152	000 990 1360	0080/B 6A
160.152	0631 329 016	001 481 003 021	0090/C 4	187.343	0737 502 152	000 990 1360	0080/C 7
169.234	0730 150 064	343 263 0062	0020 44	187.343	0737 502 152	000 990 1360	0090/B 7
169.234	0730 150 064	343 263 0062	0030 48	188.070	1240 304 117	343 262 0062	0020 37
169.234	0730 150 064	343 263 0062	0050 44	188.070	1240 304 117	343 262 0062	0030 40
169.234	0730 150 064	343 263 0062	0060 48	188.070	1240 304 117	343 262 0062	0050 37
169.234	0730 150 064	343 263 0062	0070/A 41	188.070	1240 304 117	343 262 0062	0060 40
169.234	0730 150 064	343 263 0062	0070/B 48	188.070	1240 304 117	343 262 0062	0070/C 30
169.234	0730 150 064	343 263 0062	0080/B 38	188.070	1240 304 117	343 262 0062	0080/D 27
169.234	0730 150 064	343 263 0062	0080/C 46	188.070	1240 304 117	343 262 0062	0090/C 27
169.234	0730 150 064	343 263 0062	0090/B 46	188.076	1272 304 021	000 262 2762	0070/A 32
169.396	0501 304 692	002 264 5152	0070/C 6	188.076	1272 304 021	000 262 2762	0070/B 38
169.397	0730 103 102	002 264 5252	0070/C 7	188.212	1269 304 070	000 262 2362	0080/B 32
169.408	0501 305 887	003 264 2252	0080/D 6	188.212	1269 304 070	000 262 2362	0080/C 39
169.408	0501 305 887	003 264 2252	0090/C 6	188.212	1269 304 070	000 262 2362	0090/B 39

All original equipment manufacturers numbers, symbols, pictures, models and description used in this catalogue are for reference only, and it is not implied that any part listed is the product of these manufactures.
Tutti i nostri particolari non sono originali ma con essi intercambiabili. I riferimenti originali, le figure, i modelli sono esposti a semplice titolo indicativo. La nostra produzione riporta il nostro marchio.

CEI Index

CEI no.	ZF no.	MB no.	Tav.	Fig.	CEI no.	ZF no.	MB no.	Tav.	Fig.
190.150	1269 212 006	000 260 0920	0080/A	3	198.339	1268 298 938		0090/B	50
190.150	1269 212 006	000 260 0920	0090/A	3	198.371	1286 298 902	000 260 1197	0080/D	10
190.151	1269 298 909	000 264 2205	0080/A	19	198.371	1286 298 902	000 260 1197	0090/C	10
190.151	1269 298 909	000 264 2205	0090/A	19	198.414	1269 298 958	000 262 0606	0080/D	9
190.182	1285 232 003	000 260 0661	0070/C	1	198.414	1269 298 958	000 262 0606	0090/C	9
190.185	1269 202 913	000 260 1120	0080/B	3	198.417	1250 298 907		0010	23
190.185	1269 202 913	000 260 1120	0080/C	3	198.417	1250 298 907		0020	49
190.187	1272 298 909	000 262 9202	0070/B	3	198.417	1250 298 907		0030	56
190.197	1285 212 005	000 262 0101	0090/A	3	198.418	1250 298 910		0010	24
190.198	1269 298 942	000 260 1820	0090/B	3	198.418	1250 298 910		0020	50
190.202	1272 298 904	000 262 6102	0070/A	3	198.418	1250 298 910		0030	57
190.202	1272 298 904	000 262 6102	0070/B	3	198.419	1268 298 903		0040	23
190.204	1272 298 918	001 262 0502	0070/B	3	198.419	1268 298 903		0050	49
190.398	1272 298 911		0070/A	3	198.419	1268 298 903		0060	56
190.399	1272 232 014	000 260 1661	0070/C	2	198.420	1268 298 904		0040	24
190.400	1272 237 008	000 260 1161	0070/C	36	198.420	1268 298 904		0050	50
190.401	1272 237 007	000 260 1061	0070/C	36	198.420	1268 298 904		0060	57
190.402	1269 232 041	000 260 3961	0080/D	1	198.421	1269 298 928		0080/A	26
190.402	1269 232 041	000 260 3961	0090/C	1	198.421	1269 298 928		0080/B	42
190.403	1269 232 037	000 260 2861	0080/D	2	198.421	1269 298 928		0080/C	53
190.403	1269 232 037	000 260 2861	0090/C	2	198.421	1269 298 928		0090/A	26
190.404	1269 237 013	000 260 0761	0080/D	34	198.421	1269 298 928		0090/B	53
190.405	1269 237 012	000 260 0861	0080/D	34	198.422	1269 298 933		0080/A	27
190.405	1269 237 012	000 260 0861	0090/C	35	198.422	1269 298 933		0080/B	43
197.067	1268 304 148	000 264 1445	0020	36	198.422	1269 298 933		0080/C	54
197.067	1268 304 148	000 264 1445	0050	36	198.422	1269 298 933		0090/A	27
197.067	1268 304 148	000 264 1445	0060	39	198.422	1269 298 933		0090/B	54
197.137	1269 238 015	000 260 0817	0070/C	45	198.447	CEI 198447		0080/D	11
197.137	1269 238 015	000 260 0817	0080/D	38	198.447	CEI 198447		0090/C	11
197.137	1269 238 015	000 260 0817	0090/C	43	198.448	CEI 198448	CEI 198448	0070/C	11
197.138	1269 339 048	000 260 0717	0080/D	42	198.449	1272 298 925	000 262 0006	0070/C	9
197.138	1269 339 048	000 260 0717	0090/C	31	198.515	1269 298 979		0080/D	30B
197.139	1269 338 035	000 262 3002	0080/D	37	198.515	1269 298 979		0090/C	30B
197.139	1269 338 035	000 262 3002	0090/C	42	198.564	CEI 198564		0010	21
198.337	1285 232 901	000 260 0397	0070/C	10	198.564	CEI 198564		0030	54
198.339	1268 298 938		0010	20	198.564	CEI 198564		0040	21
198.339	1268 298 938		0030	53	198.564	CEI 198564		0060	54
198.339	1268 298 938		0040	20	198.564	CEI 198564		0070/B	53
198.339	1268 298 938		0060	53	198.564	CEI 198564		0080/A	24
198.339	1268 298 938		0070/B	52	198.564	CEI 198564		0080/C	51
198.339	1268 298 938		0080/A	23	198.564	CEI 198564		0090/A	24
198.339	1268 298 938		0080/C	50	198.564	CEI 198564		0090/B	51
198.339	1268 298 938		0090/A	23	198.717	1269 298 980		0080/D	30C

Date

05 / 2006

Table

Index

CEI no.	ZF no.	MB no.	Tav.	Fig.	CEI no.	ZF no.	MB no.	Tav.	Fig.
198.717	1269 298 980		0090/C	30C					
198.757	1269 298 978		0070/C	31					
198.842	1295 298 933		0010	22					
198.842	1295 298 933		0030	55					
198.842	1295 298 933		0040	22					
198.842	1295 298 933		0060	55					
198.842	1295 298 933		0070/B	54					
198.842	1295 298 933		0080/A	25					
198.842	1295 298 933		0080/C	52					
198.842	1295 298 933		0090/A	25					
198.842	1295 298 933		0090/B	52					
198.966	CEI 198966		0080/D	30A					
198.966	CEI 198966		0090/C	30A					
280.303	1269 202 104	000 260 1090	0070/A	1					
280.303	1269 202 104	000 260 1090	0070/B	1					
280.303	1269 202 104	000 260 1090	0080/A	1					
280.303	1269 202 104	000 260 1090	0080/B	1					
280.303	1269 202 104	000 260 1090	0080/C	1					
280.303	1269 202 104	000 260 1090	0090/A	1					
280.303	1269 202 104	000 260 1090	0090/B	1					
280.348	1295 202 041	000 260 1290	0070/A	1					
280.348	1295 202 041	000 260 1290	0070/B	1					
280.348	1295 202 041	000 260 1290	0080/A	1					
280.348	1295 202 041	000 260 1290	0080/B	1					
280.348	1295 202 041	000 260 1290	0080/C	1					
280.348	1295 202 041	000 260 1290	0090/A	1					
280.348	1295 202 041	000 260 1290	0090/B	1					
280.366	0750 132 009	000 260 5363	0080/D	29					
280.366	0750 132 009	000 260 5363	0090/C	29					
280.630	0750 132 019	000 260 4663	0070/C	25					
280.630	0750 132 019	000 260 4663	0080/D	29					
280.630	0750 132 019	000 260 4663	0090/C	29					
298.029	1272 298 922		0070/A	45					
298.029	1272 298 922		0070/B	55					
298.030	1272 298 921		0070/A	46					
298.030	1272 298 921		0070/B	56					
298.031	1272 298 927	000 262 0206	0070/C	37					
298.032	1272 298 926	000 262 0106	0070/C	38					
298.034	1269 298 960	000 262 0806	0080/D	35					
298.035	1269 298 962	000 262 1006	0080/D	35					
298.036	1269 298 966	002 981 2581	0080/D	39					
298.036	1269 298 966	002 981 2581	0090/C	44					

All original equipment manufacturers numbers, symbols, pictures, models and description used in this catalogue are for reference only, and it is not implied that any part listed is the product of these manufactures.
Tutti i nostri particolari non sono originali ma con essi intercambiabili. I riferimenti originali, le figure, i modelli sono esposti a semplice titolo indicativo. La nostra produzione riporta il nostro marchio.

**C.E.I.
COSTRUZIONE
EMILIANA
INGRANAGGI S.P.A.**



CEI

VIA EMILIA 239
P.O. BOX 180
40011 ANZOLA EMILIA
BOLOGNA
ITALY

TEL. +39 051 6506200 (r.a.)
FAX +39 051 733832
EXPORT FAX +39 051 734128

INTERNET

<http://www.cei.it>

E-MAIL

Informazioni: cei@cei.it
Commerciale Italia: italia@cei.it
Export: export@cei.it
Acquisti: purchasingdept@cei.it
Amministrazione: accountdept@cei.it



H I G H F I D E L I T Y